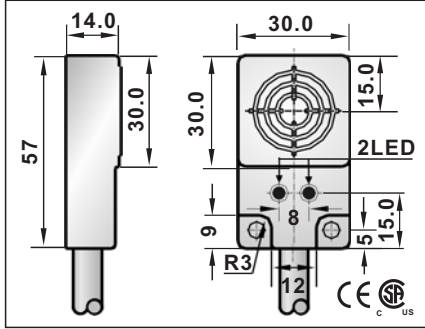


AC INDUCTIVE PROXIMITY SWITCH SQUARE TYPE

Q 14

●
10 mm
PBT RESIN
●



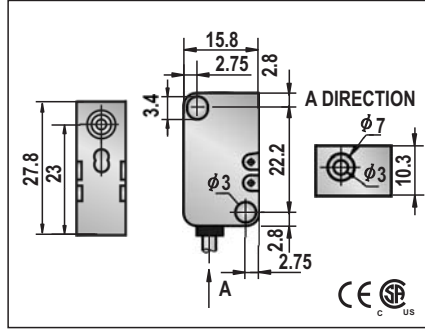
20-250VAC
-
<1.8mA
400mA
1.8mA
5A(20ms)
5mA
<8VAC AT 400MA
<25HZ
10ms/10ms
<15%(Sr)
<1.0%(Sr)
IP67
-25 °C - +70 °C
<10%(Sr)
-
-
-
RFI>3V/m / EFT>1KV / ESD>4KV (contact)
IEC 60947-5-2,Part 7.4.1 / IEC 60947-5-2,Part 7.4.2
PBT

<u>FQP1-1410A-A2L2T</u>	<u>9</u>
<u>FQP1-1410A-B2L2T</u>	<u>10</u>

4 φ 2x0.34
Approx.110 g

Q16x28x10

●	○
1 mm	2 mm
PBT RESIN	
●	



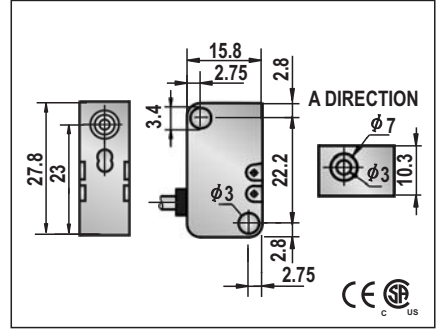
20-250VAC
-
<1.8mA
400mA
1.8mA
5A(20ms)
5mA
<8VAC AT 400MA
<25HZ
10ms/10ms
<15%(Sr)
<1.0%(Sr)
IP67
-25 °C - +70 °C
<10%(Sr)
-
-
-
RFI>3V/m / EFT>1KV / ESD>4KV (contact)
IEC 60947-5-2,Part 7.4.1 / IEC 60947-5-2,Part 7.4.2
PBT

<u>FQP1-Q2801A-A2L2</u>	<u>9</u>	<u>FQP2-Q2802A-A2L2</u>
<u>FQP1-Q2801A-B2L2</u>	<u>10</u>	<u>FQP2-Q2802A-B2L2</u>

4 φ 2x0.15
Approx.55 g

Q16x28x10

●	○
1 mm	2 mm
PBT RESIN	
●	



20-250VAC
-
<1.8mA
400mA
1.8mA
5A(20ms)
5mA
<8VAC AT 400MA
<25HZ
10ms/10ms
<15%(Sr)
<1.0%(Sr)
IP67
-25 °C - +70 °C
<10%(Sr)
-
-
-
RFI>3V/m / EFT>1KV / ESD>4KV (contact)
IEC 60947-5-2,Part 7.4.1 / IEC 60947-5-2,Part 7.4.2
PBT

<u>FQP1-Q2801A-A2L2Y</u>	<u>9</u>	<u>FQP2-Q2802A-A2L2Y</u>
<u>FQP1-Q2801A-B2L2Y</u>	<u>10</u>	<u>FQP2-Q2802A-B2L2Y</u>

4 φ 2x0.15
Approx.55 g

Note:

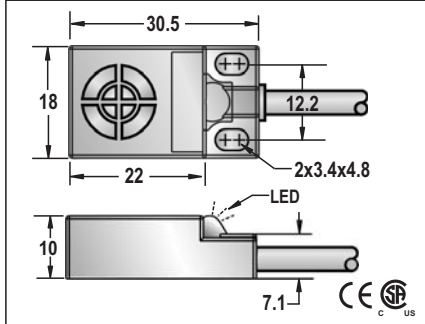
Coming Soon : Part numbers with underline
 In Preparation: Part numbers with a line through the middle

Q18C、Q42、Q25s

AC INDUCTIVE PROXIMITY SWITCH SQUARE TYPE


AC INDUCTIVE PROXIMITY SWITCH SQUARE TYPE

Q18C	
○	
4 mm	
POM RESIN	
●	

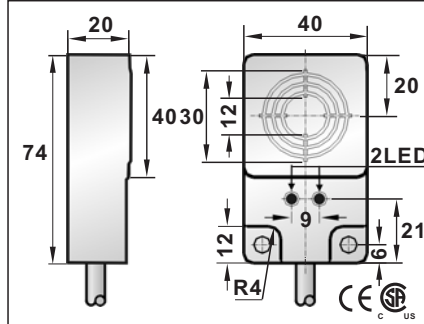


20-250VAC
-
<1.8mA
400mA
1.8mA
5A(20ms)
5mA
<8VAC AT 400MA
<25HZ
10ms/10ms
<15%(Sr)
<1.0%(Sr)
IP67
-25 °C - +70 °C
<10%(Sr)
-
-
-
RFI>3V/m / EFT>1KV / ESD>4KV (contact)
IEC 60947-5-2,Part 7.4.1 / IEC 60947-5-2,Part 7.4.2
POM

<u>FQP2-18C04A-A2L2T</u>	9
<u>FQP2-18C04A-B2L2T</u>	10


Top style
4 φ 2x0.34
Approx.51 g

Q42	
●	
20 mm	
PBT RESIN	
●	

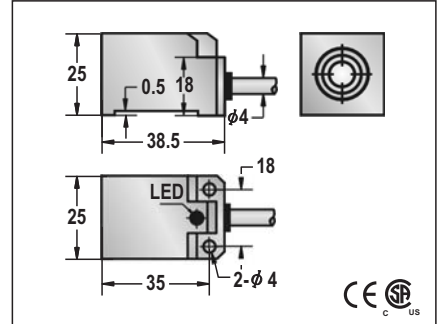


20-250VAC
-
<1.8mA
400mA
1.8mA
5A(20ms)
5mA
<8VAC AT 400MA
<25HZ
10ms/10ms
<15%(Sr)
<1.0%(Sr)
IP67
-25 °C - +70 °C
<10%(Sr)
-
-
-
RFI>3V/m / EFT>1KV / ESD>4KV (contact)
IEC 60947-5-2,Part 7.4.1 / IEC 60947-5-2,Part 7.4.2
PBT

<u>FQP1-2020A-A2L2T</u>	9
<u>FQP1-2020A-B2L2T</u>	10

4 φ 2x0.34
Approx.130 g

Q25s	
●	
10 mm	
PBT RESIN	
●	



20-250VAC
-
<1.8mA
400mA
1.8mA
5A(20ms)
5mA
<8VAC AT 400MA
<25HZ
10ms/10ms
<15%(Sr)
<1.0%(Sr)
IP67
-25 °C - +70 °C
<10%(Sr)
-
-
-
RFI>3V/m / EFT>1KV / ESD>4KV (contact)
IEC 60947-5-2,Part 7.4.1 / IEC 60947-5-2,Part 7.4.2
PBT

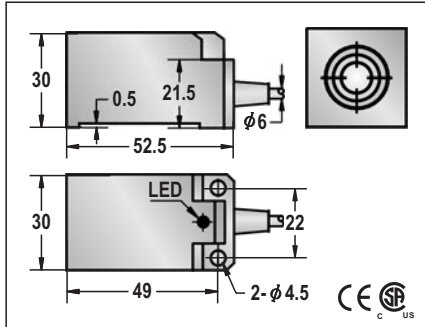
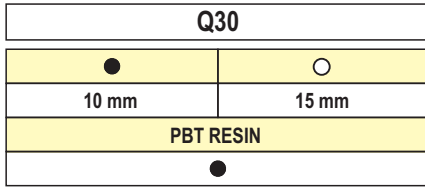
<u>FQP1-2510A-A2S2F</u>	9
<u>FQP1-2510A-B2S2F</u>	10

4 φ 2x0.34
Approx.110 g

Note:
Coming Soon : Part numbers with underline
In Preparation: Part numbers with a line through the middle

AC INDUCTIVE PROXIMITY SWITCH SQUARE TYPE

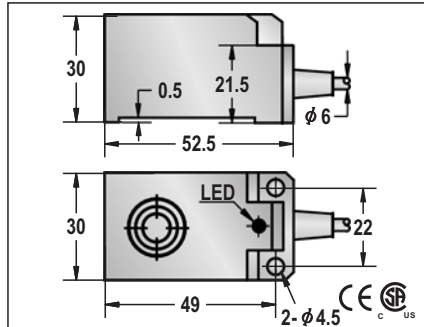
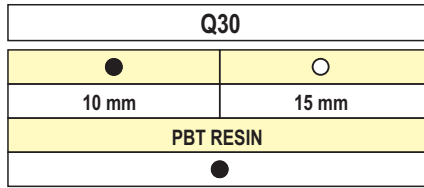
AC INDUCTIVE PROXIMITY SWITCH SQUARE TYPE



20-250VAC
-
<1.8mA
400mA
1.8mA
5A(20ms)
5mA
<8VAC AT 400MA
<25HZ
10ms/10ms
<15%(Sr)
<1.0%(Sr)
IP67
-25 °C - +70 °C
<10%(Sr)
-
-
-
RFI>3V/m / EFT>1KV / ESD>4KV (contact)
IEC 60947-5-2,Part 7.4.1 / IEC 60947-5-2,Part 7.4.2
PBT

<u>FQP1-3010A-A2L2F</u>	9	<u>FQP2-3015A-A2L2F</u>
<u>FQP1-3010A-B2L2F</u>	10	<u>FQP2-3015A-B2L2F</u>

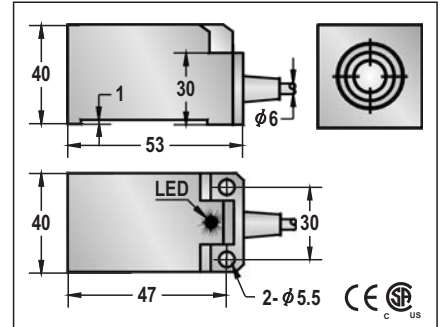
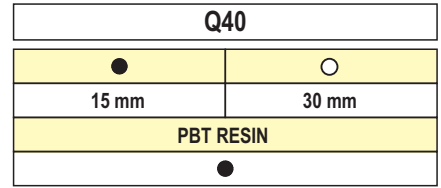
5.8 ϕ 2x0.5
Approx.155 g



20-250VAC
-
<1.8mA
400mA
1.8mA
5A(20ms)
5mA
<8VAC AT 400MA
<25HZ
10ms/10ms
<15%(Sr)
<1.0%(Sr)
IP67
-25 °C - +70 °C
<10%(Sr)
-
-
-
RFI>3V/m / EFT>1KV / ESD>4KV (contact)
IEC 60947-5-2,Part 7.4.1 / IEC 60947-5-2,Part 7.4.2
PBT

<u>FQP1-3010A-A2L2T</u>	9	<u>FQP2-3015A-A2L2T</u>
<u>FQP1-3010A-B2L2T</u>	10	<u>FQP2-3015A-B2L2T</u>

5.8 ϕ 2x0.5
Approx.155 g



20-250VAC
-
<1.8mA
400mA
1.8mA
5A(20ms)
5mA
<8VAC AT 400MA
<25HZ
10ms/10ms
<15%(Sr)
<1.0%(Sr)
IP67
-25 °C - +70 °C
<10%(Sr)
-
-
-
RFI>3V/m / EFT>1KV / ESD>4KV (contact)
IEC 60947-5-2,Part 7.4.1 / IEC 60947-5-2,Part 7.4.2
PBT

<u>FQP1-4515A-A2L2F</u>	9	<u>FQP2-4530A-A2L2F</u>
<u>FQP1-4515A-B2L2F</u>	10	<u>FQP2-4530A-B2L2F</u>

5.8 ϕ 2x0.5
Approx.190 g

Note: Coming Soon : Part numbers with underline

