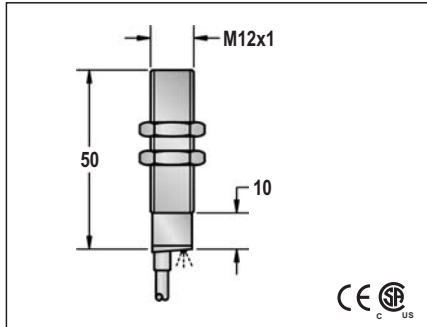


DC INDUCTIVE PLASTIC HOUSING PROXIMITY SWITCH

DC INDUCTIVE PLASTIC HOUSING PROXIMITY SWITCH

M 12	
●	○
2 mm	4 mm
PBT RESIN	
●	



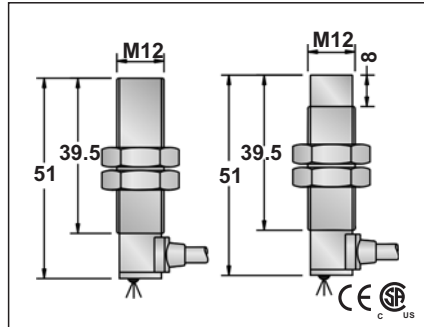
10-30VDC or 5-36VDC or 10-55VDC	
<10%	
<10mA	<20mA
200mA	
<0.01mA	
-	
-	
<1.5V or <1.0V or <2.0V	
2KHZ	1KHZ
0.1ms/0.1ms	0.2ms/0.2ms
<15%(Sr)	
<1.0%(Sr)	
IP67	
-25°C - +70°C	
<10%(Sr)	
YES	
220mA	
<10ms	
RFI>3V/m / EFT>1KV / ESD>4KV (contact)	
IEC 60947-5-2, Part 7.4.1 / IEC 60947-5-2, Part 7.4.2	
POM	

FCP1-1202N-A3U2	1	FCP2-1204N-A3U2
FCP1-1202N-B3U2	2	FCP2-1204N-B3U2
FCP1-1202P-A3U2	3	FCP2-1204P-A3U2
FCP1-1202P-B3U2	4	FCP2-1204P-B3U2
FCP1-1202P-S4U2	6	FCP2-1204P-S4U2
FCP1-1202N-S4U2	5	FCP2-1204N-S4U2
FCP1-1202C-A2U2	7	FCP2-1204C-A2U2
FCP1-1202C-B2U2	8	FCP2-1204C-B2U2
HCP1-1202N-A3U2	1	HCP2-1204N-A3U2
HCP1-1202N-B3U2	2	HCP2-1204N-B3U2
HCP1-1202P-A3U2	3	HCP2-1204P-A3U2
HCP1-1202P-B3U2	4	HCP2-1204P-B3U2
ICP1-1202N-A3U2	1	ICP2-1204N-A3U2
ICP1-1202N-B3U2	2	ICP2-1204N-B3U2
ICP1-1202P-A3U2	3	ICP2-1204P-A3U2
ICP1-1202P-B3U2	4	ICP2-1204P-B3U2
ICP1-1202P-S4U2	6	ICP2-1204P-S4U2
ICP1-1202N-S4U2	5	ICP2-1204N-S4U2

Voltage Drop: <1.5V (for Operating Volt. 10-30V)
 <1V (for Operating Volt. 5-36V)
 <2V (for Operating Volt. 10-55V)
 This applies to all models in the category of
 DC INDUCTIVE PROXIMITY SWITCH.

4φ 3x0.15
 Approx.60 g

M 12	
●	○
2 mm	4 mm
PBT RESIN	
●	



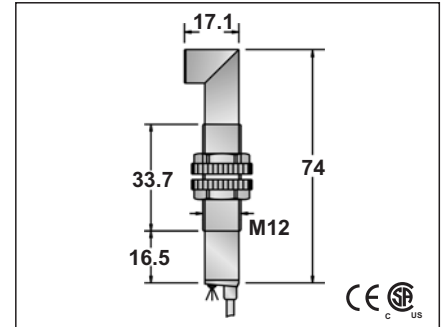
10-30VDC or 5-36VDC or 10-55VDC	
<10%	
<10mA	<20mA
200mA	
<0.01mA	
-	
-	
<1.5V or <1.0V or <2.0V	
2KHZ	1KHZ
0.1ms/0.1ms	0.2ms/0.2ms
<15%(Sr)	
<1.0%(Sr)	
IP67	
-25°C - +70°C	
<10%(Sr)	
YES	
220mA	
<10ms	
RFI>3V/m / EFT>1KV / ESD>4KV (contact)	
IEC 60947-5-2, Part 7.4.1 / IEC 60947-5-2, Part 7.4.2	
POM	PBT

FCP1-1202N-A3U2Y	1	FCP2-1204N-A3U2Y
FCP1-1202N-B3U2Y	2	FCP2-1204N-B3U2Y
FCP1-1202P-A3U2Y	3	FCP2-1204P-A3U2Y
FCP1-1202P-B3U2Y	4	FCP2-1204P-B3U2Y
FCP1-1202P-S4U2Y	6	FCP2-1204P-S4U2Y
FCP1-1202N-S4U2Y	5	FCP2-1204N-S4U2Y
FCP1-1202C-A2U2Y	7	FCP2-1204C-A2U2Y
FCP1-1202C-B2U2Y	8	FCP2-1204C-B2U2Y
HCP1-1202N-A3U2Y	1	HCP2-1204N-A3U2Y
HCP1-1202N-B3U2Y	2	HCP2-1204N-B3U2Y
HCP1-1202P-A3U2Y	3	HCP2-1204P-A3U2Y
HCP1-1202P-B3U2Y	4	HCP2-1204P-B3U2Y
ICP1-1202N-A3U2Y	1	ICP2-1204N-A3U2Y
ICP1-1202N-B3U2Y	2	ICP2-1204N-B3U2Y
ICP1-1202P-A3U2Y	3	ICP2-1204P-A3U2Y
ICP1-1202P-B3U2Y	4	ICP2-1204P-B3U2Y
ICP1-1202P-S4U2Y	6	ICP2-1204P-S4U2Y
ICP1-1202N-S4U2Y	5	ICP2-1204N-S4U2Y

Please see Page 18 for details and
 specifications of DC 2-Wire models
 on this page.

4φ 3x0.15
 Approx.60 g

M 12	
●	○
2 mm	4 mm
PBT RESIN	
●	



10-30VDC or 5-36VDC or 10-55VDC	
<10%	
<10mA	<20mA
200mA	
<0.01mA	
-	
-	
<1.5V or <1.0V or <2.0V	
2KHZ	1KHZ
0.1ms/0.1ms	0.2ms/0.2ms
<15%(Sr)	
<1.0%(Sr)	
IP67	
-25°C - +70°C	
<10%(Sr)	
YES	
220mA	
<10ms	
RFI>3V/m / EFT>1KV / ESD>4KV (contact)	
IEC 60947-5-2, Part 7.4.1 / IEC 60947-5-2, Part 7.4.2	
POM	

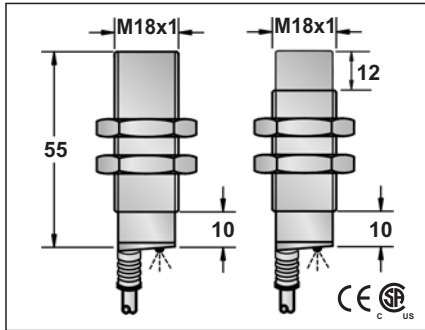
FCP1-1202N-A3U2Z	1	FCP2-1204N-A3U2Z
FCP1-1202N-B3U2Z	2	FCP2-1204N-B3U2Z
FCP1-1202P-A3U2Z	3	FCP2-1204P-A3U2Z
FCP1-1202P-B3U2Z	4	FCP2-1204P-B3U2Z
FCP1-1202P-S4U2Z	6	FCP2-1204P-S4U2Z
FCP1-1202N-S4U2Z	5	FCP2-1204N-S4U2Z
FCP1-1202C-A2U2Z	7	FCP2-1204C-A2U2Z
FCP1-1202C-B2U2Z	8	FCP2-1204C-B2U2Z
HCP1-1202N-A3U2Z	1	HCP2-1204N-A3U2Z
HCP1-1202N-B3U2Z	2	HCP2-1204N-B3U2Z
HCP1-1202P-A3U2Z	3	HCP2-1204P-A3U2Z
HCP1-1202P-B3U2Z	4	HCP2-1204P-B3U2Z
ICP1-1202N-A3U2Z	1	ICP2-1204N-A3U2Z
ICP1-1202N-B3U2Z	2	ICP2-1204N-B3U2Z
ICP1-1202P-A3U2Z	3	ICP2-1204P-A3U2Z
ICP1-1202P-B3U2Z	4	ICP2-1204P-B3U2Z
ICP1-1202P-S4U2Z	6	ICP2-1204P-S4U2Z
ICP1-1202N-S4U2Z	5	ICP2-1204N-S4U2Z

4φ 3x0.15
 Approx.60 g

Note:
 Coming Soon : Part numbers with underline

DC INDUCTIVE PLASTIC HOUSING PROXIMITY SWITCH

M 18	
●	○
2 mm	4 mm
PBT RESIN	
●	



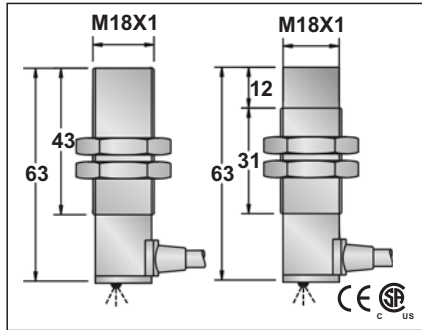
10-30VDC or 5-36VDC or 10-55VDC	
<10%	
<10mA	<20mA
200mA	
<0.01mA	
-	
-	
<1.5V or <1.0V or <2.0V	
1KHZ	500HZ
0.2ms/0.2ms	0.5ms/0.5ms
<15%(Sr)	
<1.0%(Sr)	
IP67	
-25 °C - +70 °C	
<10%(Sr)	
YES	
220mA	
<10ms	
RFI>3V/m / EFT>1KV / ESD>4KV (contact)	
IEC 60947-5-2,Part 7.4.1 / IEC 60947-5-2,Part 7.4.2	
PBT	

FCP1-1805N-A3U2	1	FCP2-1808N-A3U2
FCP1-1805N-B3U2	2	FCP2-1808N-B3U2
FCP1-1805P-A3U2	3	FCP2-1808P-A3U2
FCP1-1805P-B3U2	4	FCP2-1808P-B3U2
FCP1-1805P-S4U2	6	FCP2-1808P-S4U2
FCP1-1805N-S4U2	5	FCP2-1808N-S4U2
FCP1-1805C-A2U2	7	FCP2-1808C-A2U2
FCP1-1805C-B2U2	8	FCP2-1808C-B2U2
HCP1-1805N-A3U2	1	HCP2-1808N-A3U2
HCP1-1805N-B3U2	2	HCP2-1808N-B3U2
HCP1-1805P-A3U2	3	HCP2-1808P-A3U2
HCP1-1805P-B3U2	4	HCP2-1808P-B3U2
ICP1-1805N-A3U2	1	ICP2-1808N-A3U2
ICP1-1805N-B3U2	2	ICP2-1808N-B3U2
ICP1-1805P-A3U2	3	ICP2-1808P-A3U2
ICP1-1805P-B3U2	4	ICP2-1808P-B3U2
ICP1-1805P-S4U2	6	ICP2-1808P-S4U2
ICP1-1805N-S4U2	5	ICP2-1808N-S4U2

Voltage Drop: <1.5V (for Operating Volt. 10-30V)
 <1V (for Operating Volt. 5-36V)
 <2V (for Operating Volt. 10-55V)
 This applies to all models in the category of
 DC INDUCTIVE PROXIMITY SWITCH.

5.0φ44 x 0.1
 Approx.135 g

M 18	
●	○
5 mm	8 mm
PBT RESIN	
●	



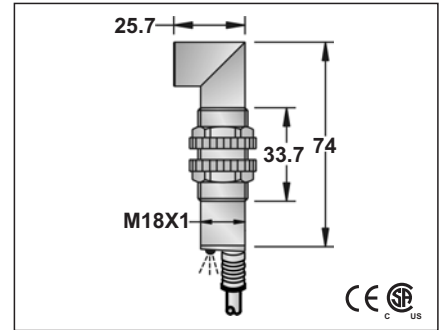
10-30VDC or 5-36VDC or 10-55VDC	
<10%	
<10mA	<20mA
200mA	
<0.01mA	
-	
-	
<1.5V or <1.0V or <2.0V	
1KHZ	500HZ
0.2ms/0.2ms	0.5ms/0.5ms
<15%(Sr)	
<1.0%(Sr)	
IP67	
-25 °C - +70 °C	
<10%(Sr)	
YES	
220mA	
<10ms	
RFI>3V/m / EFT>1KV / ESD>4KV (contact)	
IEC 60947-5-2,Part 7.4.1 / IEC 60947-5-2,Part 7.4.2	
PBT	

FCP1-1805N-A3U2Y	1	FCP2-1808N-A3U2Y
FCP1-1805N-B3U2Y	2	FCP2-1808N-B3U2Y
FCP1-1805P-A3U2Y	3	FCP2-1808P-A3U2Y
FCP1-1805P-B3U2Y	4	FCP2-1808P-B3U2Y
FCP1-1805P-S4U2Y	6	FCP2-1808P-S4U2Y
FCP1-1805N-S4U2Y	5	FCP2-1808N-S4U2Y
FCP1-1805C-A2U2Y	7	FCP2-1808C-A2U2Y
FCP1-1805C-B2U2Y	8	FCP2-1808C-B2U2Y
HCP1-1805N-A3U2Y	1	HCP2-1808N-A3U2Y
HCP1-1805N-B3U2Y	2	HCP2-1808N-B3U2Y
HCP1-1805P-A3U2Y	3	HCP2-1808P-A3U2Y
HCP1-1805P-B3U2Y	4	HCP2-1808P-B3U2Y
ICP1-1805N-A3U2Y	1	ICP2-1808N-A3U2Y
ICP1-1805N-B3U2Y	2	ICP2-1808N-B3U2Y
ICP1-1805P-A3U2Y	3	ICP2-1808P-A3U2Y
ICP1-1805P-B3U2Y	4	ICP2-1808P-B3U2Y
ICP1-1805P-S4U2Y	6	ICP2-1808P-S4U2Y
ICP1-1805N-S4U2Y	5	ICP2-1808N-S4U2Y

Please see Page 18 for details and
 specifications of DC 2-Wire models
 on this page.

5.0φ44x0.1
 Approx.135 g

M 18	
●	○
5 mm	8 mm
PBT RESIN	
●	



10-30VDC or 5-36VDC or 10-55VDC	
<10%	
<10mA	<20mA
200mA	
<0.01mA	
-	
-	
<1.5V or <1.0V or <2.0V	
1KHZ	500HZ
0.2ms/0.2ms	0.5ms/0.5ms
<15%(Sr)	
<1.0%(Sr)	
IP67	
-25 °C - +70 °C	
<10%(Sr)	
YES	
220mA	
<10ms	
RFI>3V/m / EFT>1KV / ESD>4KV (contact)	
IEC 60947-5-2,Part 7.4.1 / IEC 60947-5-2,Part 7.4.2	
PBT	

FCP1-1805N-A3U2Z	1	FCP2-1808N-A3U2Z
FCP1-1805N-B3U2Z	2	FCP2-1808N-B3U2Z
FCP1-1805P-A3U2Z	3	FCP2-1808P-A3U2Z
FCP1-1805P-B3U2Z	4	FCP2-1808P-B3U2Z
FCP1-1805P-S4U2Z	6	FCP2-1808P-S4U2Z
FCP1-1805N-S4U2Z	5	FCP2-1808N-S4U2Z
FCP1-1805C-A2U2Z	7	FCP2-1808C-A2U2Z
FCP1-1805C-B2U2Z	8	FCP2-1808C-B2U2Z
HCP1-1805N-A3U2Z	1	HCP2-1808N-A3U2Z
HCP1-1805N-B3U2Z	2	HCP2-1808N-B3U2Z
HCP1-1805P-A3U2Z	3	HCP2-1808P-A3U2Z
HCP1-1805P-B3U2Z	4	HCP2-1808P-B3U2Z
ICP1-1805N-A3U2Z	1	ICP2-1808N-A3U2Z
ICP1-1805N-B3U2Z	2	ICP2-1808N-B3U2Z
ICP1-1805P-A3U2Z	3	ICP2-1808P-A3U2Z
ICP1-1805P-B3U2Z	4	ICP2-1808P-B3U2Z
ICP1-1805P-S4U2Z	6	ICP2-1808P-S4U2Z
ICP1-1805N-S4U2Z	5	ICP2-1808N-S4U2Z

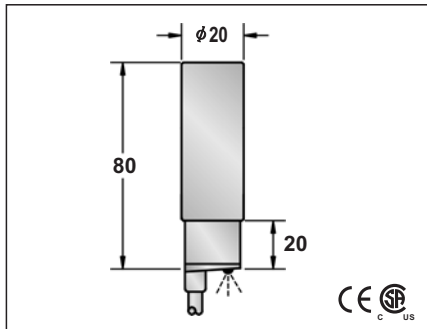
5.0φ44x0.1
 Approx.135 g

Note:
 Coming Soon : Part numbers with underline

DC INDUCTIVE PLASTIC HOUSING PROXIMITY SWITCH

DC INDUCTIVE PLASTIC HOUSING PROXIMITY SWITCH

φ20
○
10 mm
PBT RESIN
●



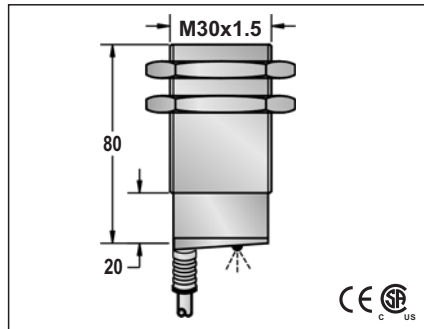
10-30VDC or 5-36VDC or 10-55VDC
<10%
<10mA
<20mA
200mA
<0.01mA
-
-
<1.5V or <1.0V or <2.0V
500HZ
0.5ms/0.5ms
<15%(Sr)
<1.0%(Sr)
IP67
-25°C - +70°C
<10%(Sr)
YES
220mA
<10ms
RFI>3V/m / EFT>1KV / ESD>4KV (contact)
IEC 60947-5-2,Part 7.4.1 / IEC 60947-5-2,Part 7.4.2
POM

FCP2-D2010N-A3U2	1
FCP2-D2010N-B3U2	2
FCP2-D2010P-A3U2	3
FCP2-D2010P-B3U2	4
<u>FCP2-D2010P-S4U2</u>	6
<u>FCP2-D2010N-S4U2</u>	5
FCP2-D2010C-A2U2	7
FCP2-D2010C-B2U2	8
HCP2-D2010N-A3U2	1
HCP2-D2010N-B3U2	2
HCP2-D2010P-A3U2	3
<u>HCP2-D2010P-B3U2</u>	4
ICP2-D2010N-A3U2	1
ICP2-D2010N-B3U2	2
ICP2-D2010P-A3U2	3
ICP2-D2010P-B3U2	4
<u>ICP2-D2010P-S4U2</u>	6
<u>ICP2-D2010N-S4U2</u>	5

Voltage Drop: <1.5V (for Operating Volt. 10-30V)
<1V (for Operating Volt. 5-36V)
<2V (for Operating Volt. 10-55V)
This applies to all models in the category of
DC INDUCTIVE PROXIMITY SWITCH.

5.8φ 3x0.5
Approx.153 g

M 30
●
10 mm
○
15 mm
PBT RESIN
●



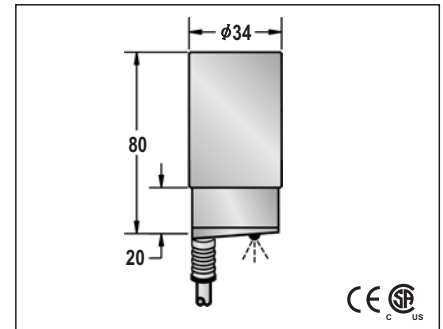
10-30VDC or 5-36VDC or 10-55VDC
<10%
<10mA
<20mA
200mA
<0.01mA
-
-
<1.5V or <1.0V or <2.0V
300HZ
150HZ
0.5ms/0.5ms
1ms/1ms
<15%(Sr)
<1.0%(Sr)
IP67
-25°C - +70°C
<10%(Sr)
YES
220mA
<10ms
RFI>3V/m / EFT>1KV / ESD>4KV (contact)
IEC 60947-5-2,Part 7.4.1 / IEC 60947-5-2,Part 7.4.2
PBT

FCP1-3010N-A3U2	1	FCP2-3015N-A3U2
FCP1-3010N-B3U2	2	FCP2-3015N-B3U2
FCP1-3010P-A3U2	3	FCP2-3015P-A3U2
FCP1-3010P-B3U2	4	FCP2-3015P-B3U2
FCP1-3010P-S4U2	6	FCP2-3015P-S4U2
FCP1-3010N-S4U2	5	FCP2-3015N-S4U2
FCP1-3010C-A2U2	7	FCP2-3015C-A2U2
<u>FCP1-3010C-B2U2</u>	8	<u>FCP2-3015C-B2U2</u>
HCP1-3010N-A3U2	1	HCP2-3015N-A3U2
HCP1-3010N-B3U2	2	<u>HCP2-3015N-B3U2</u>
HCP1-3010P-A3U2	3	HCP2-3015P-A3U2
<u>HCP1-3010P-B3U2</u>	4	<u>HCP2-3015P-B3U2</u>
ICP1-3010N-A3U2	1	ICP2-3015N-A3U2
ICP1-3010N-B3U2	2	ICP2-3015N-B3U2
ICP1-3010P-A3U2	3	ICP2-3015P-A3U2
ICP1-3010P-B3U2	4	ICP2-3015P-B3U2
<u>ICP1-3010P-S4U2</u>	6	<u>ICP2-3015P-S4U2</u>
<u>ICP1-3010N-S4U2</u>	5	<u>ICP2-3015N-S4U2</u>

Please see Page 18 for details and
specifications of DC 2-Wire models
on this page.

5.8φ 3x0.5
Approx.200 g

φ34
○
20 mm
PBT RESIN
●



10-30VDC or 5-36VDC or 10-55VDC
<10%
<10mA
<20mA
200mA
<0.01mA
-
-
<1.5V or <1.0V or <2.0V
150HZ
1ms/1ms
<15%(Sr)
<1.0%(Sr)
IP67
-25°C - +70°C
<10%(Sr)
YES
220mA
<10ms
RFI>3V/m / EFT>1KV / ESD>4KV (contact)
IEC 60947-5-2,Part 7.4.1 / IEC 60947-5-2,Part 7.4.2
PBT

FCP2-D3420N-A3U2	1
FCP2-D3420N-B3U2	2
FCP2-D3420P-A3U2	3
FCP2-D3420P-B3U2	4
<u>FCP2-D3420P-S4U2</u>	6
<u>FCP2-D3420N-S4U2</u>	5
FCP2-D3420C-A2U2	7
FCP2-D3420C-B2U2	8
HCP2-D3420N-A3U2	1
HCP2-D3420N-B3U2	2
HCP2-D3420P-A3U2	3
<u>HCP2-D3420P-B3U2</u>	4
ICP2-D3420N-A3U2	1
ICP2-D3420N-B3U2	2
ICP2-D3420P-A3U2	3
ICP2-D3420P-B3U2	4
<u>ICP2-D3420P-S4U2</u>	6
<u>ICP2-D3420N-S4U2</u>	5

5.8φ 3x0.5
Approx.259 g

Note:
Coming Soon : Part numbers with underline

