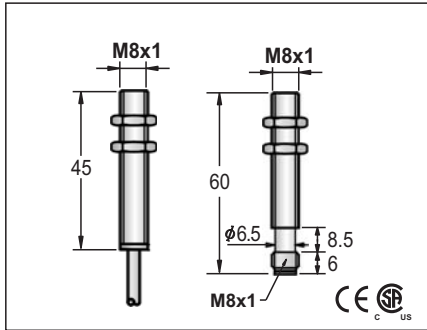


M8、M12

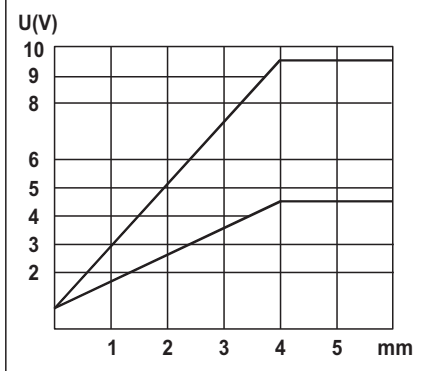
INDUCTIVE VOLTAGE OUTPUT LONG DISTANCE ANALOG SENSOR

INDUCTIVE CURRENT OUTPUT LONG DISTANCE ANALOG SENSOR

M 8
●
0-4 mm
Chrome-plated brass
○



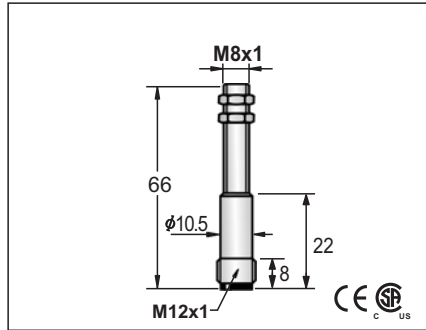
10...30 / 15...30VDC
≤20%
≤10mA
0-5V/0-10VDC ≥2KΩ
-
<5%
-
-25°C ~ +70°C
≤5%(0...+70°C) / ≤10%(-25...0°C)
YES
YES
IP67
0...5V 1...5mA / 0...10V 4...20mA
1.6KHz(at s=2mm)
-
RFI>3V/m / EFT>1KV / ESD>4KV (contact)
IEC 60947-5-2,Part 7.4.1 / IEC 60947-5-2,Part 7.4.2
PBT



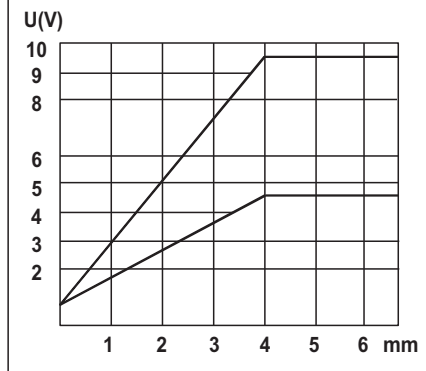
<u>LCM1-0804G-V3U2</u>	20	<u>LCM1-0804G-VGU3</u>	81

4φ 3x0.15	—
approx.40g	approx.15g

M 8
●
0-4 mm
Chrome-plated brass
○



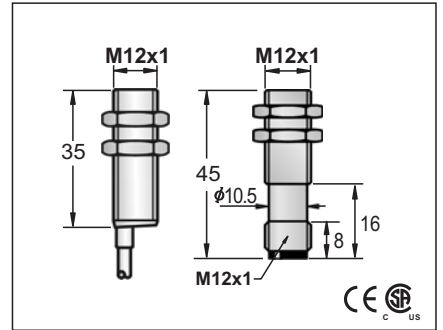
10...30 / 15...30VDC
≤20%
≤10mA
0-5V/0-10VDC ≥2KΩ
-
<5%
-
-25°C ~ +70°C
≤5%(0...+70°C) / ≤10%(-25...0°C)
YES
YES
IP67
0...5V 1...5mA / 0...10V 4...20mA
1.6KHz(at s=2mm)
-
RFI>3V/m / EFT>1KV / ESD>4KV (contact)
IEC 60947-5-2,Part 7.4.1 / IEC 60947-5-2,Part 7.4.2
PBT



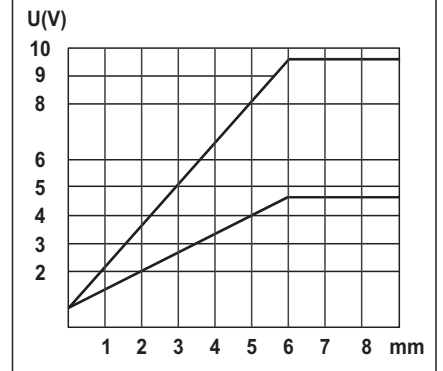
<u>LCM1-0804G-VRU4</u>	20

—
Approx.25g

M 12
●
0-6 mm
Chrome-plated brass
○



10...30 / 15...30VDC
≤20
≤10mA
0-5V/0-10VDC ≥2KΩ
-
<5%
-
-25°C ~ +70°C
≤5%(0...+70°C) / ≤10%(-25...0°C)
YES
YES
IP67
0...5V 1...5mA / 0...10V 4...20mA
1KHz(at s=3mm)
-
RFI>3V/m / EFT>1KV / ESD>4KV (contact)
IEC 60947-5-2,Part 7.4.1 / IEC 60947-5-2,Part 7.4.2
PBT



<u>LCM1-1206G-V3S2</u>	20	<u>LCM1-1206G-VRS4</u>	84

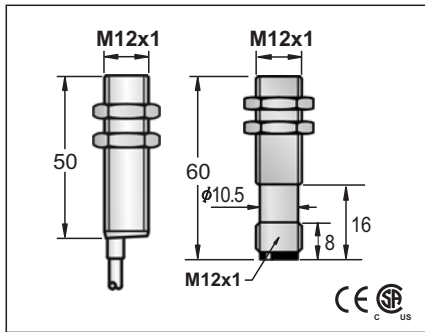
4φ 3x0.15	—
approx.67g	approx.30g

Note:
 Coming Soon : Part numbers with underline
 In Preparation: Part numbers with a line through the middle

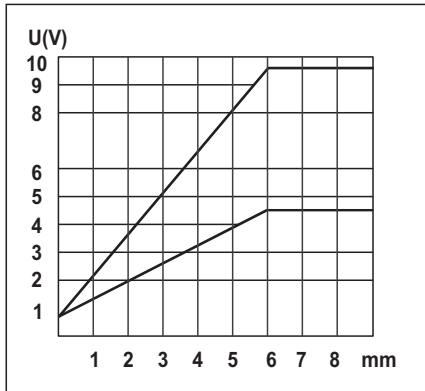
M12、M18

INDUCTIVE VOLTAGE OUTPUT LONG DISTANCE ANALOG SENSOR

M 12
●
0-6 mm
Chrome-plated brass
○



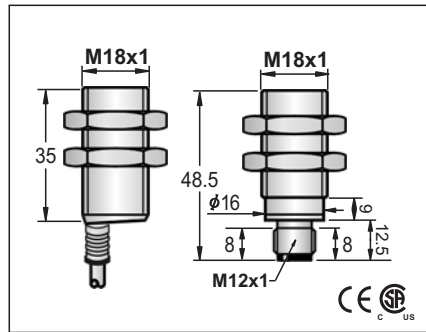
10...30 / 15...30VDC
≤20%
≤10mA
0-5V/0-10VDC ≥2KΩ
-
<5%
-
-25°C ~ +70°C
≤5%(0...+70°C) / ≤10%(-25...0°C)
YES
YES
IP67
0...5V 1...5mA / 0...10V 4...20mA
1KHz(at s=3mm)
-
RFI>3V/m / EFT>1KV / ESD>4KV (contact)
IEC 60947-5-2,Part 7.4.1 / IEC 60947-5-2,Part 7.4.2
PBT



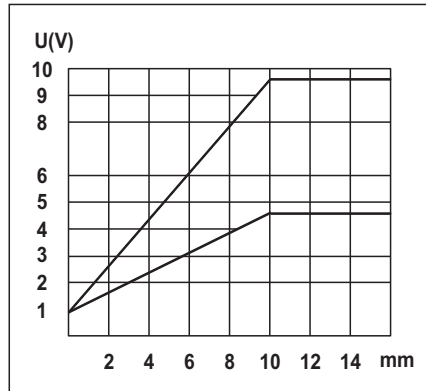
<u>LCM1-1206G-V3U2</u>	20	<u>LCM1-1206G-VRU4</u>	84

4.0 φ3x0.15	—
approx.83g	approx.48g

M 18
●
0-10 mm
Chrome-plated brass
○



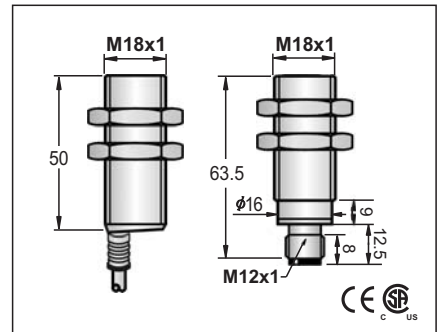
10...30 / 15...30VDC
≤20%
≤10mA
0-5V/0-10VDC ≥4.7KΩ
-
<10%(Sr)
-
-25°C ~ +70°C
≤5%(0...+70°C) / ≤10%(-25...0°C)
YES
YES
IP67
0...5V 1...5mA / 0...10V 4...20mA
500 Hz(at s=5mm)
-
RFI>3V/m / EFT>1KV / ESD>4KV (contact)
IEC 60947-5-2,Part 7.4.1 / IEC 60947-5-2,Part 7.4.2
PBT



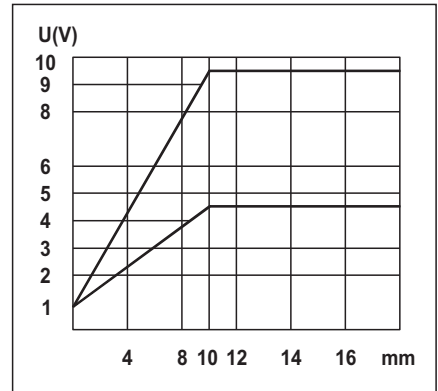
<u>LCM1-1810G-V3S2</u>	20	<u>LCM1-1810G-VRS4</u>	84

5.0 φ44x0.1	—
Approx.138g	Approx.58g

M 18
●
0-10mm
Chrome-plated brass
○



10...30 / 15...30VDC
≤20%
≤10mA
0-5V/0-10VDC ≥4.7KΩ
-
<10%(Sr)
-
-25°C ~ +70°C
≤5%(0...+70°C) / ≤10%(-25...0°C)
YES
YES
IP67
0...5V 1...5mA / 0...10V 4...20mA
500 Hz(at s=5mm)
-
RFI>3V/m / EFT>1KV / ESD>4KV (contact)
IEC 60947-5-2,Part 7.4.1 / IEC 60947-5-2,Part 7.4.2
PBT



<u>LCM1-1810G-V3U2</u>	20	<u>LCM1-1810G-VRU4</u>	84

5.0 φ44x0.1	—
Approx.142g	Approx.69g

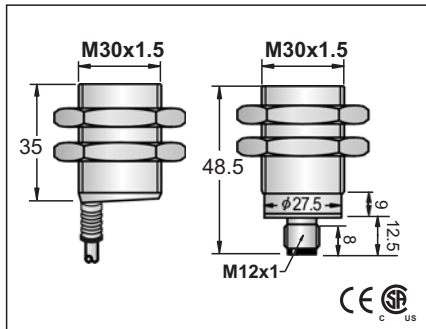
INDUCTIVE CURRENT OUTPUT LONG DISTANCE ANALOG SENSOR

Note:
Coming Soon : Part numbers with underline

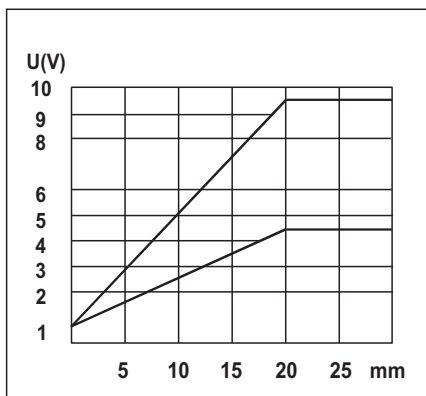
INDUCTIVE VOLTAGE OUTPUT LONG DISTANCE ANALOG SENSOR

INDUCTIVE CURRENT OUTPUT LONG DISTANCE ANALOG SENSOR

M 30
●
0-20mm
Chrome-plated brass
○



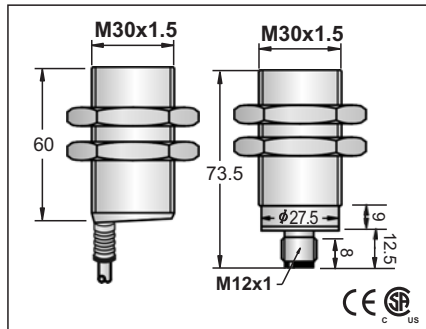
10...30 / 15...30VDC
≤20%
≤10mA
0-5V/0-10VDC ≥4.7KΩ
-
<10%(Sr)
-
-25°C ~ +70°C
≤5%(0...+70°C) / ≤10%(-25...0°C)
YES
YES
IP67
0...5V 1...5mA / 0...10V 4...20mA
200 Hz(at s=10mm)
-
RFI>3V/m / EFT>1KV / ESD>4KV (contact)
IEC 60947-5-2,Part 7.4.1 / IEC 60947-5-2,Part 7.4.2
PBT



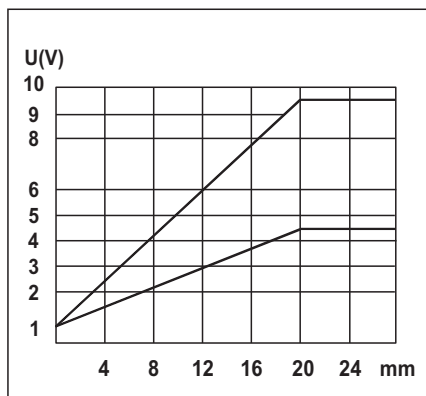
LCM1-3020G-V3S2	20	LCM1-3020G-VRS4

5.8 φ4x0.5	—
Approx.153g	Approx.144g

M 30
●
0-20mm
Chrome-plated brass
○



10...30 / 15...30VDC
≤20%
≤10mA
0-5V/0-10VDC ≥4.7KΩ
-
<10%(Sr)
-
-25°C ~ +70°C
≤5%(0...+70°C) / ≤10%(-25...0°C)
YES
YES
IP67
0...5V 1...5mA / 0...10V 4...20mA
200 Hz(at s=10mm)
-
RFI>3V/m / EFT>1KV / ESD>4KV (contact)
IEC 60947-5-2,Part 7.4.1 / IEC 60947-5-2,Part 7.4.2
PBT



LCM1-3020G-V3U2	20	LCM1-3020G-VRU4

5.8 φ4x0.5	—
Approx.217g	Approx.207g

Note:
In Preparation: Part numbers with a line through the middle