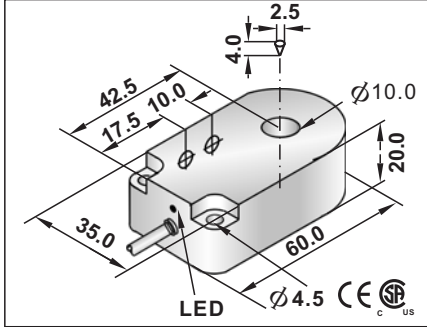


10MM、15MM、21MM

AC RING TYPE INDUCTIVE PROXIMITY SENSORS WITH ONE-SHOT

10mm
○
-
PBT
●

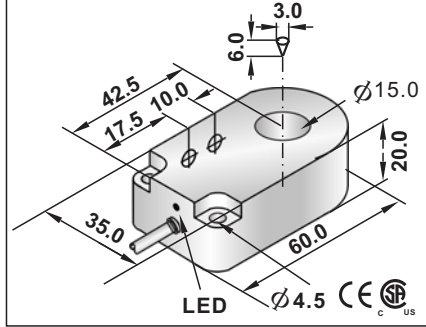


20~250VAC
105ms
<1.8mA
≤400mA
<1.8mA
5A(20ms)
5mA
<8V AC at 400mA
8HZ
100mS
<15 % (Sr)
<1.0% (Sr)
IP67
-25°C to 70°C
<10%(sr)
D=2.5mm;L=4mm
-
-
-
RFI>3V/m / EFT>1KV / ESD>4KV (contact)
IEC 60947-5-2,Part 7.4.1 / IEC 60947-5-2,Part 7.4.2

<u>RRP2-R1020A-A2L2/T</u>	9
<u>RRP2-R1020A-B2L2/T</u>	10

4φ 2X0.34
approx.97g

15mm
○
-
PBT
●

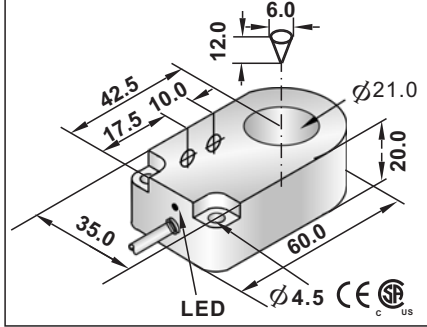


20~250VAC
105ms
<1.8mA
≤400mA
<1.8mA
5A(20ms)
5mA
<8V AC at 400mA
8HZ
100mS
<15 % (Sr)
<1.0% (Sr)
IP67
-25°C to 70°C
<10%(sr)
D=3mm;L=6mm
-
-
-
RFI>3V/m / EFT>1KV / ESD>4KV (contact)
IEC 60947-5-2,Part 7.4.1 / IEC 60947-5-2,Part 7.4.2

<u>RRP2-R1520A-A2L2/T</u>	9
<u>RRP2-R1520A-B2L2/T</u>	10

4φ 2X0.34
approx.95g

21mm
○
-
PBT
●



20~250VAC
105ms
<1.8mA
≤400mA
<1.8mA
5A(20ms)
5mA
<8V AC at 400mA
8HZ
100mS
<15 % (Sr)
<1.0% (Sr)
IP67
-25°C to 70°C
<10%(sr)
D=6mm;L=12mm
-
-
-
RFI>3V/m / EFT>1KV / ESD>4KV (contact)
IEC 60947-5-2,Part 7.4.1 / IEC 60947-5-2,Part 7.4.2

<u>RRP2-R2120A-A2L2/T</u>	9
<u>RRP2-R2120A-B2L2/T</u>	10

4φ 2X0.34
approx.91g

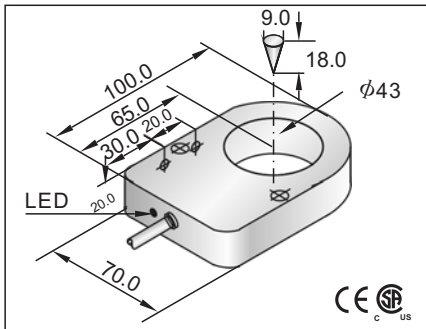
Note:
Coming Soon : Part numbers with underline

AC RING TYPE INDUCTIVE PROXIMITY SENSORS WITH ONE-SHOT

AC RING TYPE INDUCTIVE PROXIMITY SENSORS WITH ONE-SHOT

43mm

○
-
PBT
●



20~250VAC
105ms
<1.8mA
≤400mA
<1.8mA
5A(20ms)
5mA
<8V AC at 400mA
8HZ
100mS
<15% (Sr)
<1.0% (Sr)
IP67
-25°C to 70°C
<10%(sr)
D=9mm;L=18mm
-
-
-
RFI>3V/m / EFT>1KV / ESD>4KV (contact)
IEC 60947-5-2,Part 7.4.1 / IEC 60947-5-2,Part 7.4.2

<u>RRP2-R4320A-A2L2/T</u>	9
<u>RRP2-R4320A-B2L2/T</u>	10

5.8φ 2X0.5
approx.216

Note:
Coming Soon : Part numbers with underline