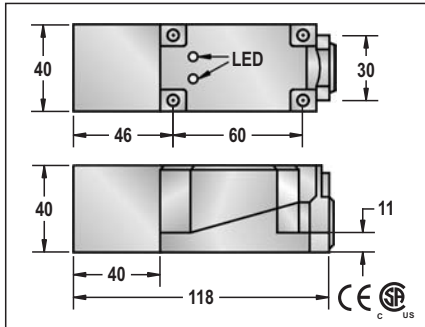


DC INDUCTIVE PROXIMITY SWITCH 5 WAY ROTATABLE SENSING HEAD TYPE

DC INDUCTIVE PROXIMITY SWITCH 5 WAY ROTATABLE SENSING HEAD TYPE

Q40
●
15 mm
PBT RESIN
●



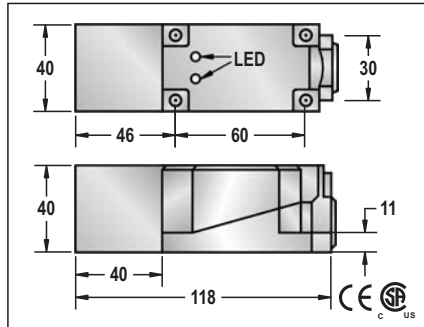
10-30VDC or 10-55VDC
<10%
<10mA or <20mA
200mA
<0.01mA
-
-
<1.5V or <2.0V
100HZ
1ms/1ms
<15%(Sr)
<1.0%(Sr)
IP67
-25 °C - +75 °C
<10%(Sr)
YES
220mA
<10ms
RFI>3V/m / EFT>1KV / ESD>4KV (contact)
IEC 60947-5-2,Part 7.4.1 / IEC 60947-5-2,Part 7.4.2
PBT

FQP1-4015N-A3U	1
FQP1-4015N-B3U	2
FQP1-4015P-A3U	3
FQP1-4015P-B3U	4
FQP1-4015P-S4U	6
FQP1-4015N-S4U	5
FQP1-4015C-A2U	7
FQP1-4015C-B2U	8
HQP1-4015N-A3U	1
HQP1-4015N-B3U	2
HQP1-4015P-A3U	3
HQP1-4015P-B3U	4

1. Voltage Drop:<1.5V(10-30V),<2V(10-55V).
2. 10-55V type: No Load Current < 20mA.

Approx.242 g

Q40
○
20 mm
PBT RESIN
●



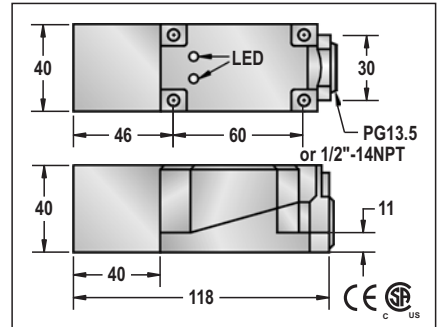
10-30VDC or 10-55VDC
<10%
<10mA or <20mA
200mA
<0.01mA
-
-
<1.5V or <2.0V
100HZ
1ms/1ms
<15%(Sr)
<1.0%(Sr)
IP67
-25 °C - +75 °C
<10%(Sr)
YES
220mA
<10ms
RFI>3V/m / EFT>1KV / ESD>4KV (contact)
IEC 60947-5-2,Part 7.4.1 / IEC 60947-5-2,Part 7.4.2
PBT

FQP2-4020N-A3U	1
FQP2-4020N-B3U	2
FQP2-4020P-A3U	3
FQP2-4020P-B3U	4
FQP2-4020P-S4U	6
FQP2-4020N-S4U	5
FQP2-4020C-A2U	7
FQP2-4020C-B2U	8
HQP2-4020N-A3U	1
HQP2-4020N-B3U	2
HQP2-4020P-A3U	3
HQP2-4020P-B3U	4

Please see Page 18 for details and specifications of DC 2-Wire models on this page.

Approx.242 g

Q40
○
30 mm
PBT RESIN
●



10-30VDC or 10-55VDC
<10%
<10mA or <20mA
200mA
<0.01mA
-
-
<1.5V or <2.0V
100HZ
1ms/1ms
<15%(Sr)
<1.0%(Sr)
IP67
-25 °C - +75 °C
<10%(Sr)
YES
220mA
<10ms
RFI>3V/m / EFT>1KV / ESD>4KV (contact)
IEC 60947-5-2,Part 7.4.1 / IEC 60947-5-2,Part 7.4.2
PBT

FQP2-4030N-A3U	1
FQP2-4030N-B3U	2
FQP2-4030P-A3U	3
FQP2-4030P-B3U	4
FQP2-4030P-S4U	6
FQP2-4030N-S4U	5
FQP2-4030C-A2U	7
FQP2-4030C-B2U	8
HQP2-4030N-A3U	1
HQP2-4030N-B3U	2
HQP2-4030P-A3U	3
HQP2-4030P-B3U	4

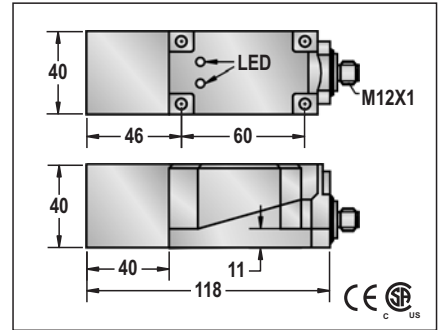
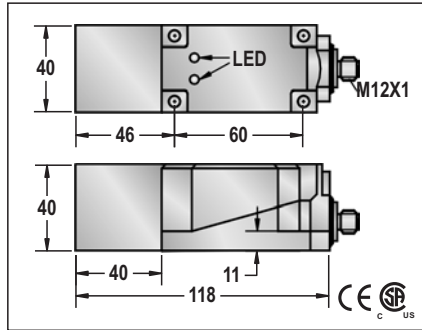
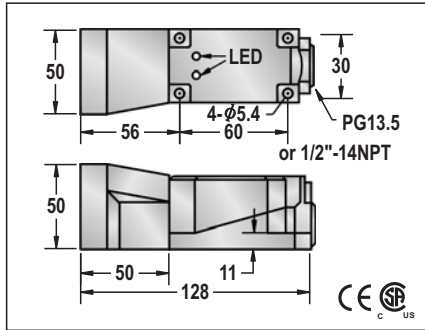
Approx.242 g

DC INDUCTIVE PROXIMITY SWITCH 5 WAY ROTATABLE SENSING HEAD TYPE

Q50
○
40 mm
PBT RESIN
●

Q40
●
15 mm
PBT RESIN
●

Q40
○
20 mm
PBT RESIN
●



10-30VDC or 10-55VDC
<10%
<10mA or <20mA
200mA
<0.01mA
-
-
<1.5V or <2.0V
100HZ
1ms/1ms
<15%(Sr)
<1.0%(Sr)
IP67
-25 °C - +70 °C
<10%(Sr)
YES
220mA
<10ms
RFI>3V/m / EFT>1KV / ESD>4KV (contact)
IEC 60947-5-2,Part 7.4.1 / IEC 60947-5-2,Part 7.4.2
PBT

10-30VDC or 10-55VDC
<10%
<10mA or <20mA
200mA
<0.01mA
-
-
<1.5V or <2.0V
100HZ
1ms/1ms
<15%(Sr)
<1.0%(Sr)
IP67
-25 °C - +70 °C
<10%(Sr)
YES
220mA
<10ms
RFI>3V/m / EFT>1KV / ESD>4KV (contact)
IEC 60947-5-2,Part 7.4.1 / IEC 60947-5-2,Part 7.4.2
PBT

10-30VDC or 10-55VDC
<10%
<10mA or <20mA
200mA
<0.01mA
-
-
<1.5V or <2.0V
100HZ
1ms/1ms
<15%(Sr)
<1.0%(Sr)
IP67
-25 °C - +70 °C
<10%(Sr)
YES
220mA
<10ms
RFI>3V/m / EFT>1KV / ESD>4KV (contact)
IEC 60947-5-2,Part 7.4.1 / IEC 60947-5-2,Part 7.4.2
PBT

FQP2-5040N-A3U	1
FQP2-5040N-B3U	2
FQP2-5040P-A3U	3
FQP2-5040P-B3U	4
FQP2-5040P-S4U	6
FQP2-5040N-S4U	5
FQP2-5040G-A2U	7
FQP2-5040G-B2U	8
HQP2-5040N-A3U	1
HQP2-5040N-B3U	2
HQP2-5040P-A3U	3
HQP2-5040P-B3U	4

FQP1-4015N-ARU4	33
FQP1-4015N-BRU4	34
FQP1-4015P-ARU4	35
FQP1-4015P-BRU4	36
FQP1-4015P-SRU4	38
FQP1-4015N-SRU4	37
FQP1-4015C-ARU4	40
FQP1-4015C-BRU4	78
HQP1-4015N-ARU4	33
HQP1-4015N-BRU4	34
HQP1-4015P-ARU4	35
HQP1-4015P-BRU4	36

FQP2-4020N-ARU4	33
FQP2-4020N-BRU4	34
FQP2-4020P-ARU4	35
FQP2-4020P-BRU4	36
FQP2-4020P-SRU4	38
FQP2-4020N-SRU4	37
FQP2-4020G-ARU4	40
FQP2-4020G-BRU4	78
HQP2-4020N-ARU4	33
HQP2-4020N-BRU4	34
HQP2-4020P-ARU4	35
HQP2-4020P-BRU4	36

1. Voltage Drop:<1.5V(10-30V),<2V(10-55V).
2. 10-55V type: No Load Current < 20mA.

Please see Page 18 for details and specifications of DC 2-Wire models on this page.

Approx.450 g

Approx.250 g

Approx.450 g

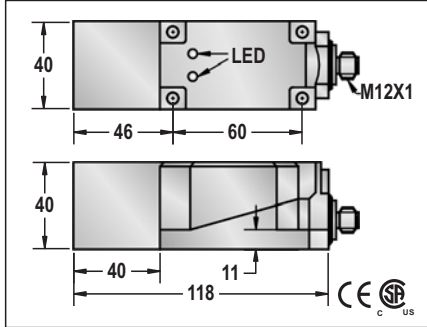
Note:
Coming Soon : Part numbers with underline
In Preparation: Part numbers with a line through the middle

Q40、Q50、Q40s

DC INDUCTIVE PROXIMITY SWITCH 5 WAY ROTATABLE SENSING HEAD TYPE

DC INDUCTIVE PROXIMITY SWITCH 5 WAY ROTATABLE SENSING HEAD TYPE

Q40
○
30 mm
PBT RESIN
●



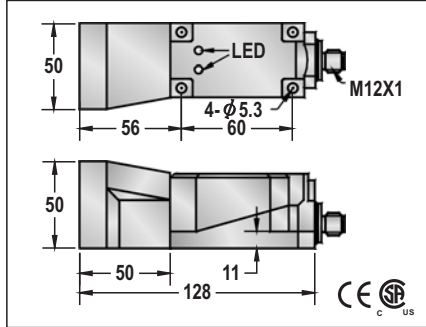
10-30VDC or 10-55VDC
<10%
<10mA or <20mA
200mA
<0.01mA
-
-
<1.5V or <2.0V
100HZ
1ms/1ms
<15%(Sr)
<1.0%(Sr)
IP67
-25°C - +70°C
<10%(Sr)
YES
220mA
<10ms
RFI>3V/m / EFT>1KV / ESD>4KV (contact)
IEC 60947-5-2,Part 7.4.1 / IEC 60947-5-2,Part 7.4.2
PBT

<u>FQP2-4030N-ARU4</u>	33
<u>FQP2-4030N-BRU4</u>	34
<u>FQP2-4030P-ARU4</u>	35
<u>FQP2-4030P-BRU4</u>	36
<u>FQP2-4030P-SRU4</u>	38
<u>FQP2-4030N-SRU4</u>	37
<u>FQP2-4030C-ARU4</u>	40
<u>FQP2-4030C-BRU4</u>	78
HQP2-4030N-ARU4	33
HQP2-4030N-BRU4	34
HQP2-4030P-ARU4	35
HQP2-4030P-BRU4	36

1. Voltage Drop:<1.5V(10-30V),<2V(10-55V).
2. 10-55V type: No Load Current < 20mA.

Approx.250 g

Q50
○
40 mm
PBT RESIN
●



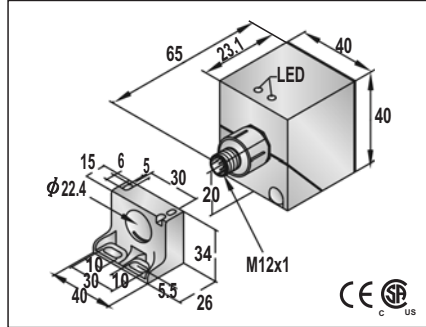
10-30VDC or 10-55VDC
<10%
<10mA or <20mA
200mA
<0.01mA
-
-
<1.5V or <2.0V
100HZ
1ms/1ms
<15%(Sr)
<1.0%(Sr)
IP67
-25°C - +70°C
<10%(Sr)
YES
220mA
<10ms
RFI>3V/m / EFT>1KV / ESD>4KV (contact)
IEC 60947-5-2,Part 7.4.1 / IEC 60947-5-2,Part 7.4.2
PBT

<u>FQP2-5040N-ARU4</u>	33
<u>FQP2-5040N-BRU4</u>	34
<u>FQP2-5040P-ARU4</u>	35
<u>FQP2-5040P-BRU4</u>	36
<u>FQP2-5040P-SRU4</u>	38
<u>FQP2-5040N-SRU4</u>	37
<u>FQP2-5040C-ARU4</u>	40
<u>FQP2-5040C-BRU4</u>	78
HQP2-5040N-ARU4	33
HQP2-5040N-BRU4	34
HQP2-5040P-ARU4	35
HQP2-5040P-BRU4	36

Please see Page 18 for details and specifications of DC 2-Wire models on this page.

Approx.450 g

Q40s
●
15 mm
PBT RESIN
●



10-30VDC or 10-55VDC
<10%
<10mA or <20mA
200mA
<0.01mA
-
-
<1.5V or <2.0V
100HZ
1ms/1ms
<15%(Sr)
<1.0%(Sr)
IP67
-25°C - +70°C
<10%(Sr)
YES
220mA
<10ms
RFI>3V/m / EFT>1KV / ESD>4KV (contact)
IEC 60947-5-2,Part 7.4.1 / IEC 60947-5-2,Part 7.4.2
PBT

<u>FQP1-4015N-ARS4</u>	33
<u>FQP1-4015N-BRS4</u>	34
<u>FQP1-4015P-ARS4</u>	35
<u>FQP1-4015P-BRS4</u>	36
<u>FQP1-4015P-SRS4</u>	38
<u>FQP1-4015N-SRS4</u>	37
<u>FQP1-4015C-ARS4</u>	40
<u>FQP1-4015C-BRS4</u>	78
HQP1-4015N-ARS4	33
HQP1-4015N-BRS4	34
HQP1-4015P-ARS4	35
HQP1-4015P-BRS4	36

Approx.450 g

Note:
Coming Soon : Part numbers with underline
In Preparation: Part numbers with a line through the middle