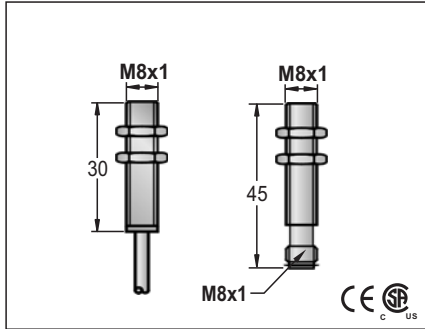


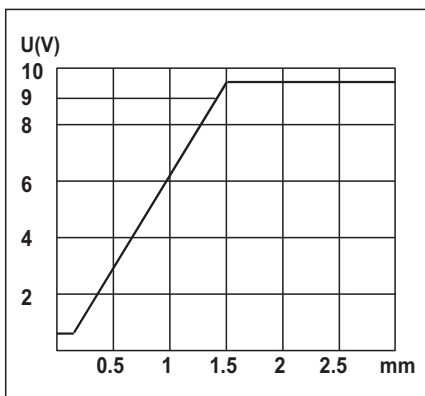
M8、M12、M18

INDUCTIVE VOLTAGE OUTPUT SHORT FORM ANALOG SENSOR

M 8
●
0.1-1.5 mm
Nickel plated brass
○



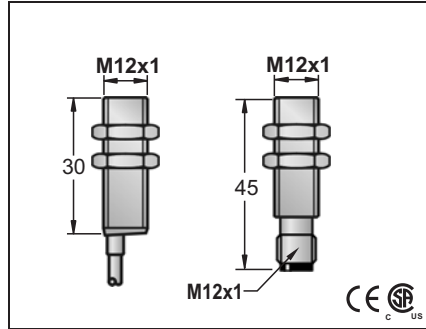
15-30VDC
≤15%
≤10mA
0-10VDC / ≥4.7KΩ
-
<10%(Sr)
≤0.12mm
-10°C ~ +70°C
<5%(Sr)
YES
YES
IP67
0...10V
500Hz
≤1.0ms
RFI>3V/m / EFT>1KV / ESD>4KV (contact)
IEC 60947-5-2,Part 7.4.1 / IEC 60947-5-2,Part 7.4.2
PBT



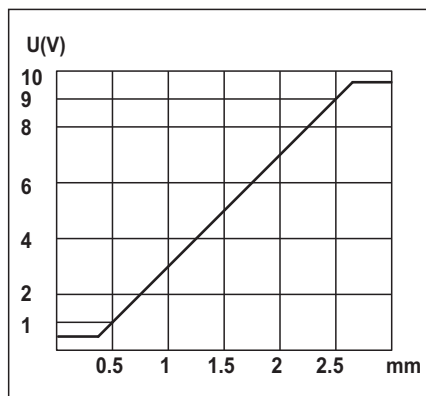
<u>FCM1-081.5G-V3S2</u>	20	<u>FCM1-081.5G-VGS3</u>	81

4.0 φ3x0.15	—
approx.142g	Approx.69g

M 12
●
0.1-3.0 mm
Nickel plated brass
○



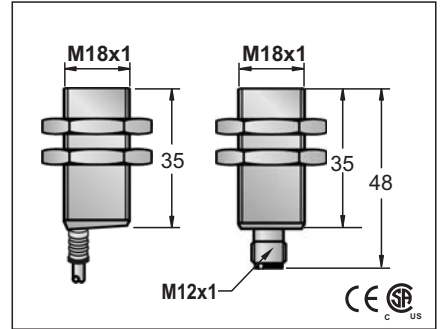
15-30VDC
≤15%
≤10.0mA
0-10VDC / ≥4.7KΩ
-
<10%(Sr)
≤0.12mm
-10°C ~ +70°C
<5%(Sr)
YES
YES
IP67
0...10V
500Hz
≤1.0ms
RFI>3V/m / EFT>1KV / ESD>4KV (contact)
IEC 60947-5-2,Part 7.4.1 / IEC 60947-5-2,Part 7.4.2
PBT



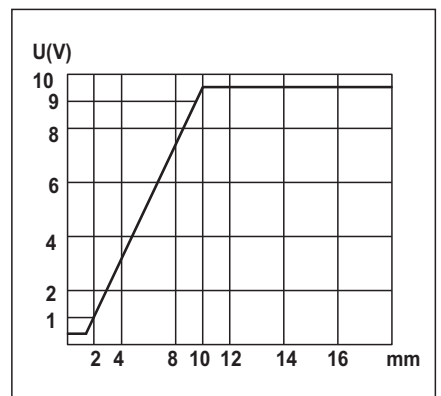
<u>FCM1-1203G-V3S2</u>	20	<u>FCM1-1203G-VRS4</u>	84

4.0 φ3x0.15	—
Approx.132g	

M 18
●
1-5 mm
Nickel plated brass
○



15-30VDC
≤15%
≤10.0mA
0-10VDC / ≥4.7KΩ
-
<10%(Sr)
≤0.24mm
-10°C ~ +70°C
<5%(Sr)
YES
YES
IP67
0...10V
500Hz
≤1.0ms
RFI>3V/m / EFT>1KV / ESD>4KV (contact)
IEC 60947-5-2,Part 7.4.1 / IEC 60947-5-2,Part 7.4.2
PBT



<u>FCM1-1805G-V3S2</u>	20	<u>FCM1-1805G-VRS4</u>	84

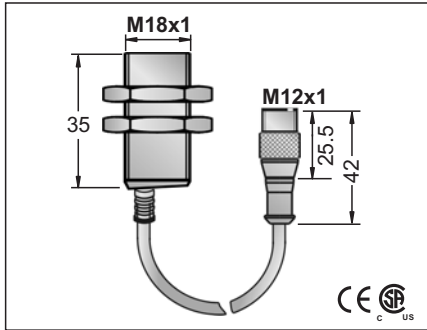
5.0 φ44x0.1	—
Approx.180g	Approx.110g

INDUCTIVE CURRENT OUTPUT SHORT FORM ANALOG SENSOR

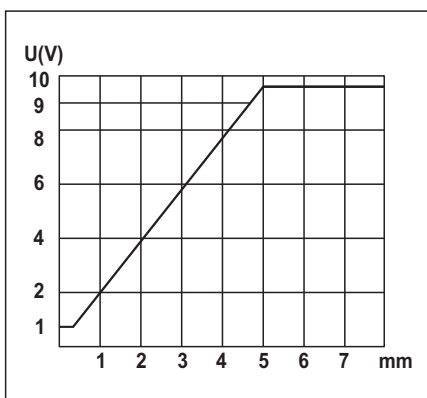
Note:
Coming Soon : Part numbers with underline
In Preparation: Part numbers with a line through the middle

INDUCTIVE COLTAGE OUTPUT SHORT FORM ANALOG SENSOR

M 18
●
1-5 mm
Nickel plated brass
○



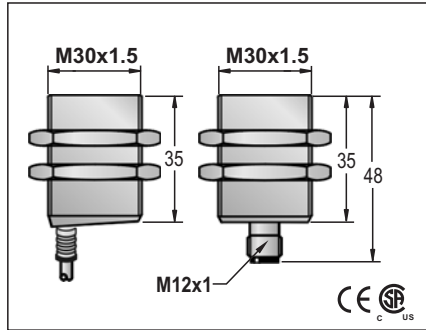
15-30VDC
≤15%
≤10.0mA
0-10VDC / ≥4.7KΩ
-
<10%(Sr)
≤0.12mm
-10°C ~ +70°C
<5%(Sr)
YES
YES
IP67
0...10V
500Hz
≤1.0ms
RFI>3V/m / EFT>1KV / ESD>4KV (contact)
IEC 60947-5-2,Part 7.4.1 / IEC 60947-5-2,Part 7.4.2
PBT



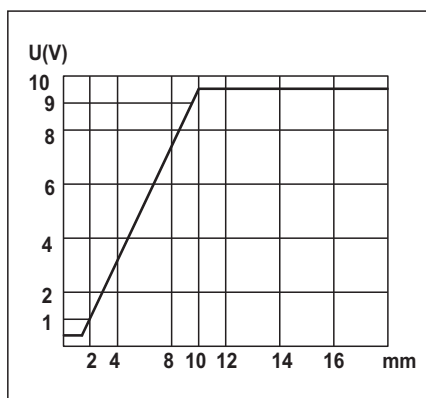
<u>FCM1-1805G-V3S0.2/P12</u>	84

5.0 φ44x0.1
Approx.132g

M 30
●
2-10 mm
Nickel plated brass
○



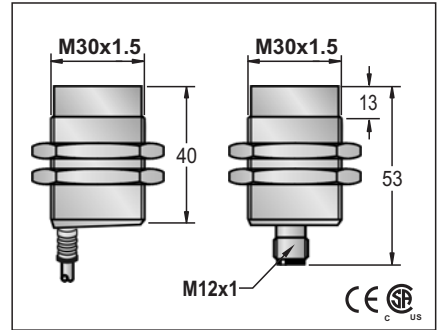
15-30VDC
≤15%
≤10.0mA
0-10VDC / ≥4.7KΩ
-
<10%(Sr)
≤0.24mm
-10°C ~ +70°C
<5%(Sr)
YES
YES
IP67
0...10V
500Hz
≤1.0ms
RFI>3V/m / EFT>1KV / ESD>4KV (contact)
IEC 60947-5-2,Part 7.4.1 / IEC 60947-5-2,Part 7.4.2
PBT



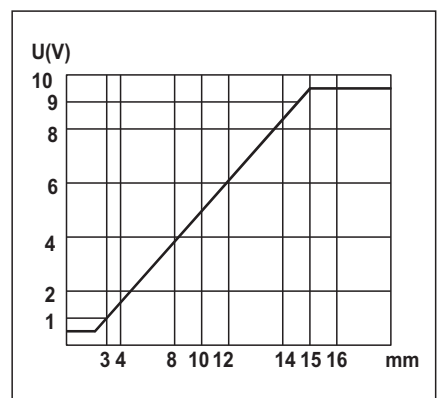
<u>FCM1-3010G-V3S2</u>	20	<u>FCM1-3010G-VRS4</u>	84

5.8 φ4x0.5	—
Approx.180g	Approx.110g

M 30
○
3-15 mm
Nickel plated brass
●



15-30VDC
≤15%
≤10mA
0-10VDC / ≥4.7KΩ
-
<10%(Sr)
≤0.24mm
-10°C ~ +70°C
<5%(Sr)
YES
YES
IP67
0...10V
500Hz
≤1.0ms
RFI>3V/m / EFT>1KV / ESD>4KV (contact)
IEC 60947-5-2,Part 7.4.1 / IEC 60947-5-2,Part 7.4.2
PBT



<u>FCM2-3015G-V3S2</u>	20	<u>FCM2-3015G-VRS4</u>	84

5.8 φ4x0.5	—
Approx.217g	Approx.207g

Note:

Coming Soon : Part numbers with underline
 In Preparation: Part numbers with a line through the middle