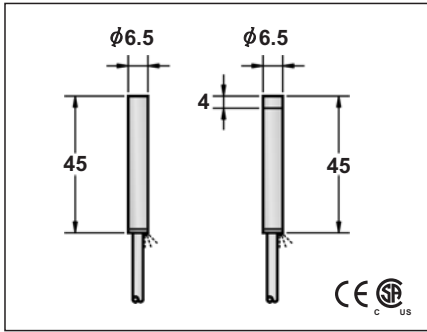


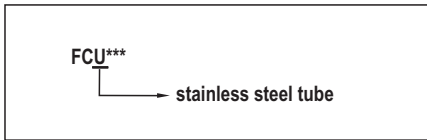
## DC INDUCTIVE PROXIMITY SWITCH

| φ 6.5           |             |
|-----------------|-------------|
| ●               | ○           |
| 1mm , 1.5mm     | 2mm , 2.5mm |
| stainless steel |             |
| ●               |             |



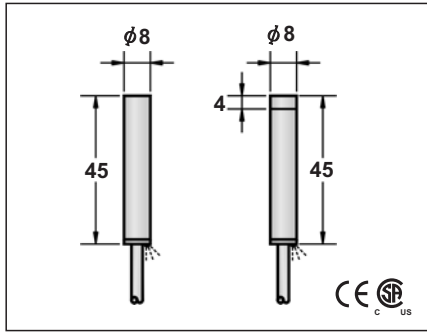
|   |  |
|---|--|
| 10-30VDC or 5-36VDC                                   |  |
| <10%  |  |
| <10mA   |  |
| 200mA   |  |
| <0.01mA   |  |
| -   |  |
| -   |  |
| <1.5V(10-30V) or <1.0V(5-36V)                         |  |
| 2KHZ  |  |
| 0.1ms/0.1ms   |  |
| <15%(Sr)  |  |
| <1.0%(Sr)   |  |
| IP67  |  |
| -25°C - +70°C   |  |
| <10%(Sr)  |  |
| YES   |  |
| 220mA   |  |
| <10ms   |  |
| RFI>3V/m / EFT>1KV / ESD>4KV (contact)                |  |
| IEC 60947-5-2, Part 7.4.1 / IEC 60947-5-2, Part 7.4.2 |  |
| POM   |  |

|                   |   |                   |  |
|-------------------|---|-------------------|--|
| FCU1-D0601N-A3U2  | 1 | FCU2-D0602N-A3U2  |  |
| FCU1-D0601N-B3U2  | 2 | FCU2-D0602N-B3U2  |  |
| FCU1-D0601P-A3U2  | 3 | FCU2-D0602P-A3U2  |  |
| FCU1-D0601P-B3U2  | 4 | FCU2-D0602P-B3U2  |  |
| FCU1-D0601N-S4U2  | 6 | FCU2-D0602N-S4U2  |  |
| FCU1-D0601P-S4U2  | 5 | FCU2-D0602P-S4U2  |  |
| FCU1-D0601C-A2U2  | 7 | FCU2-D0602C-A2U2  |  |
| FCU1-D0601C-B2U2  | 8 | FCU2-D0602C-B2U2  |  |
|                   |   |                   |  |
| ICU1-D061.5N-A3U2 | 1 | ICU2-D062.5N-A3U2 |  |
| ICU1-D061.5N-B3U2 | 2 | ICU2-D062.5N-B3U2 |  |
| ICU1-D061.5P-A3U2 | 3 | ICU2-D062.5P-A3U2 |  |
| ICU1-D061.5P-B3U2 | 4 | ICU2-D062.5P-B3U2 |  |
| ICU1-D061.5N-S4U2 | 6 | ICU2-D062.5N-S4U2 |  |
| ICU1-D061.5P-S4U2 | 5 | ICU2-D062.5P-S4U2 |  |



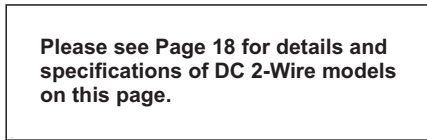
|             |  |
|-------------|--|
| 3 φ 3x0.15  |  |
| Approx.36 g |  |

| φ 8             |             |
|-----------------|-------------|
| ●               | ○           |
| 1mm , 1.5mm     | 2mm , 2.5mm |
| stainless steel |             |
| ●               |             |



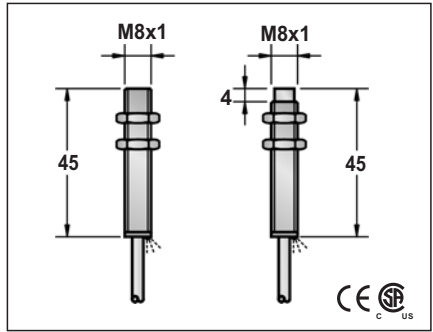
|   |  |
|---|--|
| 10-30VDC or 5-36VDC                                   |  |
| <10%  |  |
| <10mA   |  |
| 200mA   |  |
| <0.01mA   |  |
| -   |  |
| -   |  |
| <1.5V(10-30V) or <1.0V(5-36V)                         |  |
| 2KHZ  |  |
| 0.1ms/0.1ms   |  |
| <15%(Sr)  |  |
| <1.0%(Sr)   |  |
| IP67  |  |
| -25°C - +70°C   |  |
| <10%(Sr)  |  |
| YES   |  |
| 220mA   |  |
| <10ms   |  |
| RFI>3V/m / EFT>1KV / ESD>4KV (contact)                |  |
| IEC 60947-5-2, Part 7.4.1 / IEC 60947-5-2, Part 7.4.2 |  |
| POM   |  |

|                   |   |                   |  |
|-------------------|---|-------------------|--|
| FCU1-D0801N-A3U2  | 1 | FCU2-D0802N-A3U2  |  |
| FCU1-D0801N-B3U2  | 2 | FCU2-D0802N-B3U2  |  |
| FCU1-D0801P-A3U2  | 3 | FCU2-D0802P-A3U2  |  |
| FCU1-D0801P-B3U2  | 4 | FCU2-D0802P-B3U2  |  |
| FCU1-D0801P-S4U2  | 6 | FCU2-D0802P-S4U2  |  |
| FCU1-D0801N-S4U2  | 5 | FCU2-D0802N-S4U2  |  |
| FCU1-D0801C-A2U2  | 7 | FCU2-D0802C-A2U2  |  |
| FCU1-D0801C-B2U2  | 8 | FCU2-D0802C-B2U2  |  |
|                   |   |                   |  |
| ICU1-D081.5N-A3U2 | 1 | ICU2-D082.5N-A3U2 |  |
| ICU1-D081.5N-B3U2 | 2 | ICU2-D082.5N-B3U2 |  |
| ICU1-D081.5P-A3U2 | 3 | ICU2-D082.5P-A3U2 |  |
| ICU1-D081.5P-B3U2 | 4 | ICU2-D082.5P-B3U2 |  |
| ICU1-D081.5P-S4U2 | 6 | ICU2-D082.5P-S4U2 |  |
| ICU1-D081.5N-S4U2 | 5 | ICU2-D082.5N-S4U2 |  |



|             |             |
|-------------|-------------|
| 3 φ 3x0.15  |             |
| Approx.38 g | Approx.36 g |

| M 8             |             |
|-----------------|-------------|
| ●               | ○           |
| 1mm , 1.5mm     | 2mm , 2.5mm |
| stainless steel |             |
| ●               |             |



|   |  |
|---|--|
| 10-30VDC or 5-36VDC                                   |  |
| <10%  |  |
| <10mA   |  |
| 200mA   |  |
| <0.01mA   |  |
| -   |  |
| -   |  |
| <1.5V(10-30V) or <1.0V(5-36V)                         |  |
| 2KHZ  |  |
| 0.1ms/0.1ms   |  |
| <15%(Sr)  |  |
| <1.0%(Sr)   |  |
| IP67  |  |
| -25°C - +70°C   |  |
| <10%(Sr)  |  |
| YES   |  |
| 220mA   |  |
| <10ms   |  |
| RFI>3V/m / EFT>1KV / ESD>4KV (contact)                |  |
| IEC 60947-5-2, Part 7.4.1 / IEC 60947-5-2, Part 7.4.2 |  |
| POM   |  |

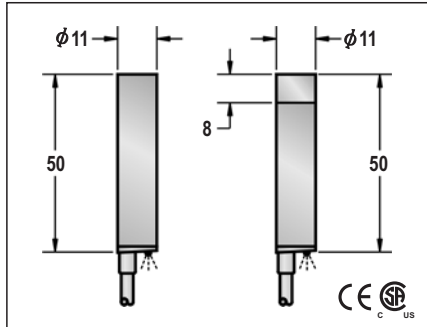
|                  |   |                  |  |
|------------------|---|------------------|--|
| FCU1-0801N-A3U2  | 1 | FCU2-0802N-A3U2  |  |
| FCU1-0801N-B3U2  | 2 | FCU2-0802N-B3U2  |  |
| FCU1-0801P-A3U2  | 3 | FCU2-0802P-A3U2  |  |
| FCU1-0801P-B3U2  | 4 | FCU2-0802P-B3U2  |  |
| FCU1-0801P-S4U2  | 6 | FCU2-0802P-S4U2  |  |
| FCU1-0801N-S4U2  | 5 | FCU2-0802N-S4U2  |  |
| FCU1-0801C-A2U2  | 7 | FCU2-0802C-A2U2  |  |
| FCU1-0801C-B2U2  | 8 | FCU2-0802C-B2U2  |  |
|                  |   |                  |  |
| ICU1-081.5N-A3U2 | 1 | ICU2-082.5N-A3U2 |  |
| ICU1-081.5N-B3U2 | 2 | ICU2-082.5N-B3U2 |  |
| ICU1-081.5P-A3U2 | 3 | ICU2-082.5P-A3U2 |  |
| ICU1-081.5P-B3U2 | 4 | ICU2-082.5P-B3U2 |  |
| ICU1-081.5P-S4U2 | 6 | ICU2-082.5P-S4U2 |  |
| ICU1-081.5N-S4U2 | 5 | ICU2-082.5N-S4U2 |  |

1. 5-36V: ICU\*-\*\*\*\*\*-\*\*\*\* type switching  
 distance Sn=1.5mm (shielded),  
 Sn=2.5mm (non-shielded).

|             |  |
|-------------|--|
| 3 φ 3x0.15  |  |
| Approx.40 g |  |

## DC INDUCTIVE PROXIMITY SWITCH

| φ 11                                   |      |
|--|------|
| ●                                      | ○    |
| 2 mm                                   | 4 mm |
| stainless steel or nickel plated brass |      |
| ●                                      |      |



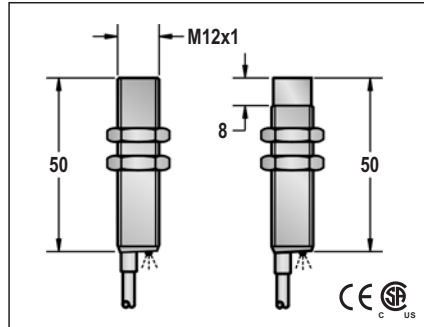
|   |             |
|---|-------------|
| 10-30VDC or 5-36VDC or 10-55VDC                     |             |
| <10%  |             |
| <10mA   | <20mA       |
| 200mA   |             |
| <0.01mA   |             |
| -   |             |
| -   |             |
| <1.5V or <1.0V or <2.0V                             |             |
| 2KHZ  | 1KHZ        |
| 0.1ms/0.1ms   | 0.2ms/0.2ms |
| <15%(Sr)  |             |
| <1.0%(Sr)   |             |
| IP67  |             |
| -25°C - +70°C                                       |             |
| <10%(Sr)  |             |
| YES   |             |
| 220mA   |             |
| <10ms   |             |
| RFI>3V/m / EFT>1KV / ESD>4KV (contact)              |             |
| IEC 60947-5-2,Part 7.4.1 / IEC 60947-5-2,Part 7.4.2 |             |
| POM   |             |

|                  |   |                  |
|------------------|---|------------------|
| FCM1-D1102N-A3U2 | 1 | FCM2-D1104N-A3U2 |
| FCM1-D1102N-B3U2 | 2 | FCM2-D1104N-B3U2 |
| FCM1-D1102P-A3U2 | 3 | FCM2-D1104P-A3U2 |
| FCM1-D1102P-B3U2 | 4 | FCM2-D1104P-B3U2 |
| FCM1-D1102P-S4U2 | 6 | FCM2-D1104P-S4U2 |
| FCM1-D1102N-S4U2 | 2 | FCM2-D1104N-S4U2 |
| FCM1-D1102C-A2U2 | 7 | FCM2-D1104C-A2U2 |
| FCM1-D1102C-B2U2 | 8 | FCM2-D1104C-B2U2 |
| HCM1-D1102N-A3U2 | 1 | HCM2-D1104N-A3U2 |
| HCM1-D1102N-B3U2 | 2 | HCM2-D1104N-B3U2 |
| HCM1-D1102P-A3U2 | 3 | HCM2-D1104P-A3U2 |
| HCM1-D1102P-B3U2 | 4 | HCM2-D1104P-B3U2 |
| ICM1-D1102N-A3U2 | 1 | ICM2-D1104N-A3U2 |
| ICM1-D1102N-B3U2 | 2 | ICM2-D1104N-B3U2 |
| ICM1-D1102P-A3U2 | 3 | ICM2-D1104P-A3U2 |
| ICM1-D1102P-B3U2 | 4 | ICM2-D1104P-B3U2 |
| ICM1-D1102P-S4U2 | 6 | ICM2-D1104P-S4U2 |
| ICM1-D1102N-S4U2 | 2 | ICM2-D1104N-S4U2 |

Voltage Drop: <1.5V ( for Operating Volt. 10-30V)  
<1V ( for Operating Volt. 5-36V)  
<2V ( for Operating Volt. 10-55V)  
This applies to all models in the category of  
DC INDUCTIVE PROXIMITY SWITCH.

|             |  |
|-------------|--|
| 4 φ 3x0.15  |  |
| Approx.55 g |  |

| M 12                                   |      |
|--|------|
| ●                                      | ○    |
| 2 mm                                   | 4 mm |
| stainless steel or nickel plated brass |      |
| ●                                      |      |



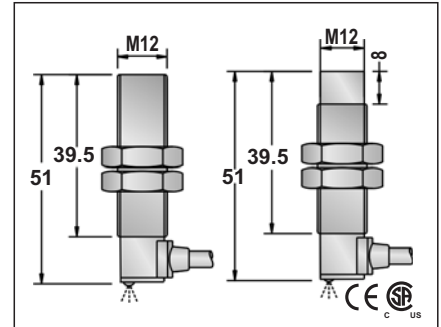
|   |             |
|---|-------------|
| 10-30VDC or 5-36VDC or 10-55VDC                     |             |
| <10%  |             |
| <10mA   | <20mA       |
| 200mA   |             |
| <0.01mA   |             |
| -   |             |
| -   |             |
| <1.5V or <1.0V or <2.0V                             |             |
| 2KHZ  | 1KHZ        |
| 0.1ms/0.1ms   | 0.2ms/0.2ms |
| <15%(Sr)  |             |
| <1.0%(Sr)   |             |
| IP67  |             |
| -25°C - +70°C                                       |             |
| <10%(Sr)  |             |
| YES   |             |
| 220mA   |             |
| <10ms   |             |
| RFI>3V/m / EFT>1KV / ESD>4KV (contact)              |             |
| IEC 60947-5-2,Part 7.4.1 / IEC 60947-5-2,Part 7.4.2 |             |
| POM   | PBT         |

|                 |   |                 |
|-----------------|---|-----------------|
| FCM1-1202N-A3U2 | 1 | FCM2-1204N-A3U2 |
| FCM1-1202N-B3U2 | 2 | FCM2-1204N-B3U2 |
| FCM1-1202P-A3U2 | 3 | FCM2-1204P-A3U2 |
| FCM1-1202P-B3U2 | 4 | FCM2-1204P-B3U2 |
| FCM1-1202P-S4U2 | 6 | FCM2-1204P-S4U2 |
| FCM1-1202N-S4U2 | 5 | FCM2-1204N-S4U2 |
| FCM1-1202C-A2U2 | 7 | FCM2-1204C-A2U2 |
| FCM1-1202C-B2U2 | 8 | FCM2-1204C-B2U2 |
| HCM1-1202N-A3U2 | 1 | HCM2-1204N-A3U2 |
| HCM1-1202N-B3U2 | 2 | HCM2-1204N-B3U2 |
| HCM1-1202P-A3U2 | 3 | HCM2-1204P-A3U2 |
| HCM1-1202P-B3U2 | 4 | HCM2-1204P-B3U2 |
| ICM1-1202N-A3U2 | 1 | ICM2-1204N-A3U2 |
| ICM1-1202N-B3U2 | 2 | ICM2-1204N-B3U2 |
| ICM1-1202P-A3U2 | 3 | ICM2-1204P-A3U2 |
| ICM1-1202P-B3U2 | 4 | ICM2-1204P-B3U2 |
| ICM1-1202P-S4U2 | 6 | ICM2-1204P-S4U2 |
| ICM1-1202N-S4U2 | 5 | ICM2-1204N-S4U2 |

Please see Page 18 for details and  
specifications of DC 2-Wire models  
on this page.

|             |             |
|-------------|-------------|
| 4 φ 3x0.15  |             |
| Approx.67 g | Approx.65 g |

| M 12                                   |      |
|--|------|
| ●                                      | ○    |
| 2 mm                                   | 4 mm |
| stainless steel or nickel plated brass |      |
| ●                                      |      |



|   |             |
|---|-------------|
| 10-30VDC or 5-36VDC or 10-55VDC                     |             |
| <10%  |             |
| <10mA   | <20mA       |
| 200mA   |             |
| <0.01mA   |             |
| -   |             |
| -   |             |
| <1.5V or <1.0V or <2.0V                             |             |
| 2KHZ  | 1KHZ        |
| 0.1ms/0.1ms   | 0.2ms/0.2ms |
| <15%(Sr)  |             |
| <1.0%(Sr)   |             |
| IP67  |             |
| -25°C - +70°C                                       |             |
| <10%(Sr)  |             |
| YES   |             |
| 220mA   |             |
| <10ms   |             |
| RFI>3V/m / EFT>1KV / ESD>4KV (contact)              |             |
| IEC 60947-5-2,Part 7.4.1 / IEC 60947-5-2,Part 7.4.2 |             |
| POM   | PBT         |

|                  |   |                  |
|------------------|---|------------------|
| FCM1-1202N-A3U2Y | 1 | FCM2-1204N-A3U2Y |
| FCM1-1202N-B3U2Y | 2 | FCM2-1204N-B3U2Y |
| FCM1-1202P-A3U2Y | 3 | FCM2-1204P-A3U2Y |
| FCM1-1202P-B3U2Y | 4 | FCM2-1204P-B3U2Y |
| FCM1-1202P-S4U2Y | 6 | FCM2-1204P-S4U2Y |
| FCM1-1202N-S4U2Y | 5 | FCM2-1204N-S4U2Y |
| FCM1-1202C-A2U2Y | 7 | FCM2-1204C-A2U2Y |
| FCM1-1202C-B2U2Y | 8 | FCM2-1204C-B2U2Y |
| HCM1-1202N-A3U2Y | 1 | HCM2-1204N-A3U2Y |
| HCM1-1202N-B3U2Y | 2 | HCM2-1204N-B3U2Y |
| HCM1-1202P-A3U2Y | 3 | HCM2-1204P-A3U2Y |
| HCM1-1202P-B3U2Y | 4 | HCM2-1204P-B3U2Y |
| ICM1-1202N-A3U2Y | 1 | ICM2-1204N-A3U2Y |
| ICM1-1202N-B3U2Y | 2 | ICM2-1204N-B3U2Y |
| ICM1-1202P-A3U2Y | 3 | ICM2-1204P-A3U2Y |
| ICM1-1202P-B3U2Y | 4 | ICM2-1204P-B3U2Y |
| ICM1-1202P-S4U2Y | 6 | ICM2-1204P-S4U2Y |
| ICM1-1202N-S4U2Y | 5 | ICM2-1204N-S4U2Y |

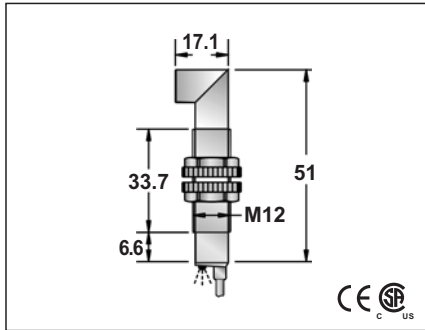
Hxxx-xxxx-xxxx.

→ DC 10-55V type no load current  
< 20mA. Following page is same.

|             |             |
|-------------|-------------|
| 4 φ 3x0.15  |             |
| Approx.67 g | Approx.65 g |

## DC INDUCTIVE PROXIMITY SWITCH

| M 12                                   |      |
|--|------|
| ●                                      | ○    |
| 2 mm                                   | 4 mm |
| stainless steel or nickel plated brass |      |
| ●                                      |      |



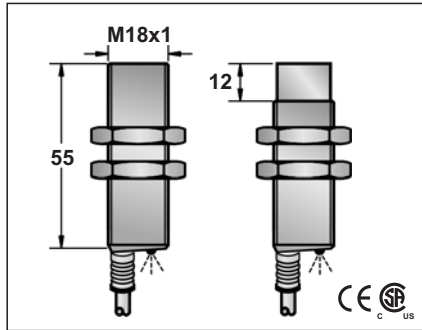
|   |             |
|---|-------------|
| 10-30VDC or 5-36VDC or 10-55VDC                     |             |
| <10%  |             |
| <10mA   | <20mA       |
| 200mA   |             |
| <0.01mA   |             |
| -   |             |
| <1.5V or <1.0V or <2.0V                             |             |
| 2KHZ  | 1KHZ        |
| 0.1ms/0.1ms   | 0.2ms/0.2ms |
| <15%(Sr)  |             |
| <1.0%(Sr)   |             |
| IP67  |             |
| -25 °C - +70 °C                                     |             |
| <10%(Sr)  |             |
| YES   |             |
| 220mA   |             |
| <10ms   |             |
| RFI>3V/m / EFT>1KV / ESD>4KV (contact)              |             |
| IEC 60947-5-2,Part 7.4.1 / IEC 60947-5-2,Part 7.4.2 |             |
| POM   |             |

|                  |   |                  |
|------------------|---|------------------|
| FCM1-1202N-A3U2Z | 1 | FCM2-1204N-A3U2Z |
| FCM1-1202N-B3U2Z | 2 | FCM2-1204N-B3U2Z |
| FCM1-1202P-A3U2Z | 3 | FCM2-1204P-A3U2Z |
| FCM1-1202P-B3U2Z | 4 | FCM2-1204P-B3U2Z |
| FCM1-1202P-S4U2Z | 6 | FCM2-1204P-S4U2Z |
| FCM1-1202N-S4U2Z | 5 | FCM2-1204N-S4U2Z |
| FCM1-1202C-A2U2Z | 7 | FCM2-1204C-A2U2Z |
| FCM1-1202C-B2U2Z | 8 | FCM2-1204C-B2U2Z |
| HCM1-1202N-A3U2Z | 1 | HCM2-1204N-A3U2Z |
| HCM1-1202N-B3U2Z | 2 | HCM2-1204N-B3U2Z |
| HCM1-1202P-A3U2Z | 3 | HCM2-1204P-A3U2Z |
| HCM1-1202P-B3U2Z | 4 | HCM2-1204P-B3U2Z |
| ICM1-1202N-A3U2Z | 1 | ICM2-1204N-A3U2Z |
| ICM1-1202N-B3U2Z | 2 | ICM2-1204N-B3U2Z |
| ICM1-1202P-A3U2Z | 3 | ICM2-1204P-A3U2Z |
| ICM1-1202P-B3U2Z | 4 | ICM2-1204P-B3U2Z |
| ICM1-1202P-S4U2Z | 6 | ICM2-1204P-S4U2Z |
| ICM1-1202N-S4U2Z | 5 | ICM2-1204N-S4U2Z |

Voltage Drop: <1.5V ( for Operating Volt. 10-30V)  
 <1V ( for Operating Volt. 5-36V)  
 <2V ( for Operating Volt. 10-55V)  
 This applies to all models in the category of  
 DC INDUCTIVE PROXIMITY SWITCH.

|              |              |
|--------------|--------------|
| 4 φ 3x0.15   |              |
| Approx.153 g | Approx.144 g |

| M18                                    |      |
|--|------|
| ●                                      | ○    |
| 5 mm                                   | 8 mm |
| stainless steel or nickel plated brass |      |
| ●                                      |      |



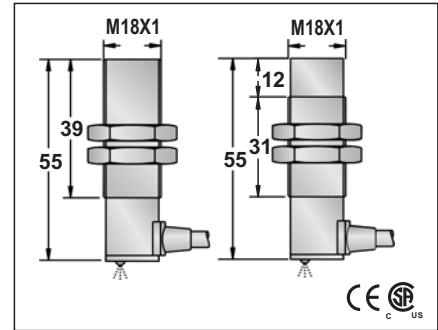
|   |             |
|---|-------------|
| 10-30VDC or 5-36VDC or 10-55VDC                     |             |
| <10%  |             |
| <10mA   | <20mA       |
| 200mA   |             |
| <0.01mA   |             |
| -   |             |
| <1.5V or <1.0V or <2.0V                             |             |
| 1KHZ  | 500HZ       |
| 0.2ms/0.2ms   | 0.5ms/0.5ms |
| <15%(Sr)  |             |
| <1.0%(Sr)   |             |
| IP67  |             |
| -25 °C - +70 °C                                     |             |
| <10%(Sr)  |             |
| YES   |             |
| 220mA   |             |
| <10ms   |             |
| RFI>3V/m / EFT>1KV / ESD>4KV (contact)              |             |
| IEC 60947-5-2,Part 7.4.1 / IEC 60947-5-2,Part 7.4.2 |             |
| PBT   |             |

|                 |   |                 |
|-----------------|---|-----------------|
| FCM1-1805N-A3U2 | 1 | FCM2-1808N-A3U2 |
| FCM1-1805N-B3U2 | 2 | FCM2-1808N-B3U2 |
| FCM1-1805P-A3U2 | 3 | FCM2-1808P-A3U2 |
| FCM1-1805P-B3U2 | 4 | FCM2-1808P-B3U2 |
| FCM1-1805P-S4U2 | 6 | FCM2-1808P-S4U2 |
| FCM1-1805N-S4U2 | 5 | FCM2-1808N-S4U2 |
| FCM1-1805C-A2U2 | 7 | FCM2-1808C-A2U2 |
| FCM1-1805C-B2U2 | 8 | FCM2-1808C-B2U2 |
| HCM1-1805N-A3U2 | 1 | HCM2-1808N-A3U2 |
| HCM1-1805N-B3U2 | 2 | HCM2-1808N-B3U2 |
| HCM1-1805P-A3U2 | 3 | HCM2-1808P-A3U2 |
| HCM1-1805P-B3U2 | 4 | HCM2-1808P-B3U2 |
| ICM1-1805N-A3U2 | 1 | ICM2-1808N-A3U2 |
| ICM1-1805N-B3U2 | 2 | ICM2-1808N-B3U2 |
| ICM1-1805P-A3U2 | 3 | ICM2-1808P-A3U2 |
| ICM1-1805P-B3U2 | 4 | ICM2-1808P-B3U2 |
| ICM1-1805P-S4U2 | 6 | ICM2-1808P-S4U2 |
| ICM1-1805N-S4U2 | 5 | ICM2-1808N-S4U2 |

Please see Page 18 for details and  
 specifications of DC 2-Wire models  
 on this page.

|              |              |
|--------------|--------------|
| 5.0 φ 44x0.1 |              |
| Approx.153 g | Approx.144 g |

| M 18                                   |      |
|--|------|
| ●                                      | ○    |
| 5 mm                                   | 8 mm |
| stainless steel or nickel plated brass |      |
| ●                                      |      |



|   |             |
|---|-------------|
| 10-30VDC or 5-36VDC or 10-55VDC                     |             |
| <10%  |             |
| <10mA   | <20mA       |
| 200mA   |             |
| <0.01mA   |             |
| -   |             |
| <1.5V or <1.0V or <2.0V                             |             |
| 1KHZ  | 500HZ       |
| 0.2ms/0.2ms   | 0.5ms/0.5ms |
| <15%(Sr)  |             |
| <1.0%(Sr)   |             |
| IP67  |             |
| -25 °C - +70 °C                                     |             |
| <10%(Sr)  |             |
| YES   |             |
| 220mA   |             |
| <10ms   |             |
| RFI>3V/m / EFT>1KV / ESD>4KV (contact)              |             |
| IEC 60947-5-2,Part 7.4.1 / IEC 60947-5-2,Part 7.4.2 |             |
| PBT   |             |

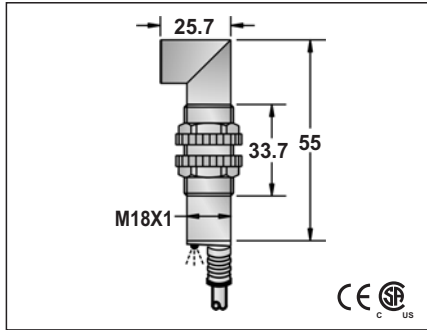
|                  |   |                  |
|------------------|---|------------------|
| FCM1-1805N-A3U2Y | 1 | FCM2-1808N-A3U2Y |
| FCM1-1805N-B3U2Y | 2 | FCM2-1808N-B3U2Y |
| FCM1-1805P-A3U2Y | 3 | FCM2-1808P-A3U2Y |
| FCM1-1805P-B3U2Y | 4 | FCM2-1808P-B3U2Y |
| FCM1-1805P-S4U2Y | 6 | FCM2-1808P-S4U2Y |
| FCM1-1805N-S4U2Y | 5 | FCM2-1808N-S4U2Y |
| FCM1-1805C-A2U2Y | 7 | FCM2-1808C-A2U2Y |
| FCM1-1805C-B2U2Y | 8 | FCM2-1808C-B2U2Y |
| HCM1-1805N-A3U2Y | 1 | HCM2-1808N-A3U2Y |
| HCM1-1805N-B3U2Y | 2 | HCM2-1808N-B3U2Y |
| HCM1-1805P-A3U2Y | 3 | HCM2-1808P-A3U2Y |
| HCM1-1805P-B3U2Y | 4 | HCM2-1808P-B3U2Y |
| ICM1-1805N-A3U2Y | 1 | ICM2-1808N-A3U2Y |
| ICM1-1805N-B3U2Y | 2 | ICM2-1808N-B3U2Y |
| ICM1-1805P-A3U2Y | 3 | ICM2-1808P-A3U2Y |
| ICM1-1805P-B3U2Y | 4 | ICM2-1808P-B3U2Y |
| ICM1-1805P-S4U2Y | 6 | ICM2-1808P-S4U2Y |
| ICM1-1805N-S4U2Y | 5 | ICM2-1808N-S4U2Y |

|              |              |
|--------------|--------------|
| 5.0 φ 44x0.1 |              |
| Approx.153 g | Approx.144 g |

# M18、M30、Q20x32x10

## DC INDUCTIVE PROXIMITY SWITCH

| M 18                                   |      |
|--|------|
| ●                                      | ○    |
| 5 mm                                   | 8 mm |
| stainless steel or nickel plated brass |      |
| ●                                      |      |



|   |             |
|---|-------------|
| 10-30VDC or 5-36VDC or 10-55VDC                     |             |
| <10%  |             |
| <10mA   | <20mA       |
| 200mA   |             |
| <0.01mA   |             |
| -   |             |
| -   |             |
| <1.5V or <1.0V or <2.0V                             |             |
| 1KHZ  | 500HZ       |
| 0.2ms/0.2ms   | 0.5ms/0.5ms |
| <15%(Sr)  |             |
| <1.0%(Sr)   |             |
| IP67  |             |
| -25 °C - +70 °C                                     |             |
| <10%(Sr)  |             |
| YES   |             |
| 220mA   |             |
| <10ms   |             |
| RFI>3V/m / EFT>1KV / ESD>4KV (contact)              |             |
| IEC 60947-5-2,Part 7.4.1 / IEC 60947-5-2,Part 7.4.2 |             |
| PBT   |             |

|                  |   |                  |
|------------------|---|------------------|
| FCM1-1805N-A3U2Z | 1 | FCM2-1808N-A3U2Z |
| FCM1-1805N-B3U2Z | 2 | FCM2-1808N-B3U2Z |
| FCM1-1805P-A3U2Z | 3 | FCM2-1808P-A3U2Z |
| FCM1-1805P-B3U2Z | 4 | FCM2-1808P-B3U2Z |
| FCM1-1805P-S4U2Z | 6 | FCM2-1808P-S4U2Z |
| FCM1-1805N-S4U2Z | 5 | FCM2-1808N-S4U2Z |
| FCM1-1805C-A2U2Z | 7 | FCM2-1808C-A2U2Z |
| FCM1-1805C-B2U2Z | 8 | FCM2-1808C-B2U2Z |
| HCM1-1805N-A3U2Z | 1 | HCM2-1808N-A3U2Z |
| HCM1-1805N-B3U2Z | 2 | HCM2-1808N-B3U2Z |
| HCM1-1805P-A3U2Z | 3 | HCM2-1808P-A3U2Z |
| HCM1-1805P-B3U2Z | 4 | HCM2-1808P-B3U2Z |
| ICM1-1805N-A3U2Z | 1 | ICM2-1808N-A3U2Z |
| ICM1-1805N-B3U2Z | 2 | ICM2-1808N-B3U2Z |
| ICM1-1805P-A3U2Z | 3 | ICM2-1808P-A3U2Z |
| ICM1-1805P-B3U2Z | 4 | ICM2-1808P-B3U2Z |
| ICM1-1805P-S4U2Z | 6 | ICM2-1808P-S4U2Z |
| ICM1-1805N-S4U2Z | 5 | ICM2-1808N-S4U2Z |

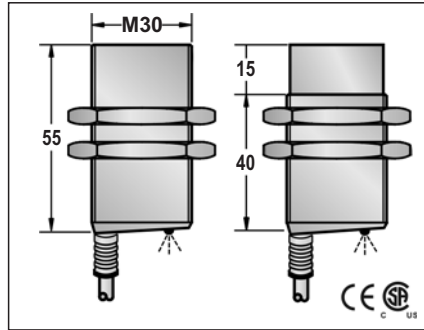
Voltage Drop: <1.5V ( for Operating Volt. 10-30V)  
<1V ( for Operating Volt. 5-36V)  
<2V ( for Operating Volt. 10-55V)  
This applies to all models in the category of  
DC INDUCTIVE PROXIMITY SWITCH.

|              |              |
|--------------|--------------|
| 5.0φ 44x0.1  |              |
| Approx.153 g | Approx.144 g |

Note:

Coming Soon : Part numbers with underline

| M 30                                   |       |
|--|-------|
| ●                                      | ○     |
| 10 mm                                  | 15 mm |
| stainless steel or nickel plated brass |       |
| ●                                      |       |



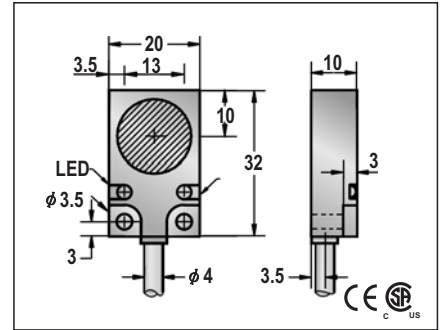
|   |             |
|---|-------------|
| 10-30VDC or 5-36VDC or 10-55VDC                     |             |
| <10%  |             |
| <10mA   | <20mA       |
| 200mA   |             |
| <0.01mA   |             |
| -   |             |
| -   |             |
| <1.5V or <1.0V or <2.0V                             |             |
| 1KHZ  | 500HZ       |
| 0.2ms/0.2ms   | 0.5ms/0.5ms |
| <15%(Sr)  |             |
| <1.0%(Sr)   |             |
| IP67  |             |
| -25 °C - +70 °C                                     |             |
| <10%(Sr)  |             |
| YES   |             |
| 220mA   |             |
| <10ms   |             |
| RFI>3V/m / EFT>1KV / ESD>4KV (contact)              |             |
| IEC 60947-5-2,Part 7.4.1 / IEC 60947-5-2,Part 7.4.2 |             |
| PBT   |             |

|                 |   |                 |
|-----------------|---|-----------------|
| FCM1-3010N-A3U2 | 1 | FCM2-3015N-A3U2 |
| FCM1-3010N-B3U2 | 2 | FCM2-3015N-B3U2 |
| FCM1-3010P-A3U2 | 3 | FCM2-3015P-A3U2 |
| FCM1-3010P-B3U2 | 4 | FCM2-3015P-B3U2 |
| FCM1-3010P-S4U2 | 6 | FCM2-3015P-S4U2 |
| FCM1-3010N-S4U2 | 5 | FCM2-3015N-S4U2 |
| FCM1-3010C-A2U2 | 7 | FCM2-3015C-A2U2 |
| FCM1-3010C-B2U2 | 8 | FCM2-3015C-B2U2 |
| HCM1-3010N-A3U2 | 1 | HCM2-3015N-A3U2 |
| HCM1-3010N-B3U2 | 2 | HCM2-3015N-B3U2 |
| HCM1-3010P-A3U2 | 3 | HCM2-3015P-A3U2 |
| HCM1-3010P-B3U2 | 4 | HCM2-3015P-B3U2 |
| ICM1-3010N-A3U2 | 1 | ICM2-3015N-A3U2 |
| ICM1-3010N-B3U2 | 2 | ICM2-3015N-B3U2 |
| ICM1-3010P-A3U2 | 3 | ICM2-3015P-A3U2 |
| ICM1-3010P-B3U2 | 4 | ICM2-3015P-B3U2 |
| ICM1-3010P-S4U2 | 6 | ICM2-3015P-S4U2 |
| ICM1-3010N-S4U2 | 5 | ICM2-3015N-S4U2 |

Please see Page 18 for details and  
specifications of DC 2-Wire models  
on this page.

|              |              |
|--------------|--------------|
| 5.8φ3x0.5    |              |
| Approx.217 g | Approx.207 g |

| Q20x32x10 |  |
|-----------|--|
| ●         |  |
| 5 mm      |  |
| die-cast  |  |
| ●         |  |



|   |             |
|---|-------------|
| 10-30VDC or 5-36VDC or 10-55VDC                     |             |
| <10%  |             |
| <10mA   | <20mA       |
| 200mA   |             |
| <0.01mA   |             |
| -   |             |
| -   |             |
| <1.5V or <1.0V or <2.0V                             |             |
| 1KHZ  | 500HZ       |
| 0.2ms/0.2ms   | 0.5ms/0.5ms |
| <15%(Sr)  |             |
| <1.0%(Sr)   |             |
| IP67  |             |
| -25 °C - +70 °C                                     |             |
| <10%(Sr)  |             |
| YES   |             |
| 220mA   |             |
| <10ms   |             |
| RFI>3V/m / EFT>1KV / ESD>4KV (contact)              |             |
| IEC 60947-5-2,Part 7.4.1 / IEC 60947-5-2,Part 7.4.2 |             |
| PBT   |             |

|                  |   |
|------------------|---|
| FQM1-2005N-A3U2T | 1 |
| FQM1-2005N-B3U2T | 2 |
| FQM1-2005P-A3U2T | 3 |
| FQM1-2005P-B3U2T | 4 |
| FQM1-2005P-S4U2T | 6 |
| FQM1-2005N-S4U2T | 5 |
| FQM1-2005C-A2U2T | 7 |
| FQM1-2005C-B2U2T | 8 |
| HQM1-2005N-A3U2T | 1 |
| HQM1-2005N-B3U2T | 2 |
| HQM1-2005P-A3U2T | 3 |
| HQM1-2005P-B3U2T | 4 |
| IQM1-2005N-A3U2T | 1 |
| IQM1-2005N-B3U2T | 2 |
| IQM1-2005P-A3U2T | 3 |
| IQM1-2005P-B3U2T | 4 |
| IQM1-2005P-S4U2T | 6 |
| IQM1-2005N-S4U2T | 5 |

|             |  |
|-------------|--|
| 4φ 3x0.15   |  |
| Approx.55 g |  |

