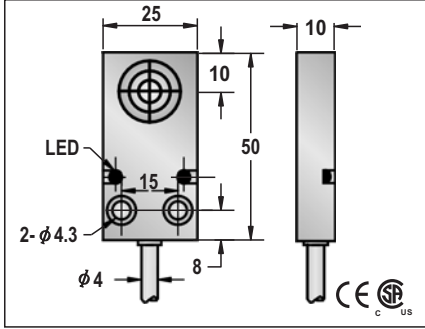


# Q25x50x10、Q16x28x10

## DC EXTENDED SENSING DISTANCE PROXIMITY SWITCH SQUARE TYPE

DC EXTENDED SENSING DISTANCE PROXIMITY SWITCH SQUARE TYPE

Q25x50x10
●
8 mm
die-cast
●

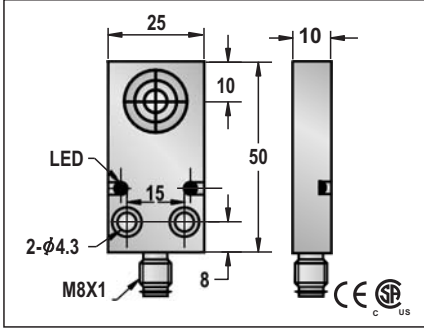


10-30VDC
<10%
<10mA
200mA
<0.01mA
-
-
<1.5V
500HZ
0.5ms/0.5ms
<15%
<1.0%(Sr)
IP67
-25 °C - +70 °C
<10%(Sr)
YES
220mA
<10ms
RFI>3V/m / EFT>1KV / ESD>4KV (contact)
IEC 60947-5-2,Part 7.4.1 / IEC 60947-5-2,Part 7.4.2
PBT

EQM1-2508N-A3U2T	1
EQM1-2508N-B3U2T	2
EQM1-2508P-A3U2T	3
EQM1-2508P-B3U2T	4
EQM1-2508P-S4U2T	6
<u>EQM1-2508N-S4U2T</u>	5
<u>EQM1-2508C-A2U2T</u>	7
<u>EQM1-2508C-B2U2T</u>	8

4 φ 3x0.15
Approx.90 g

Q25x50x10
●
8 mm
die-cast
●

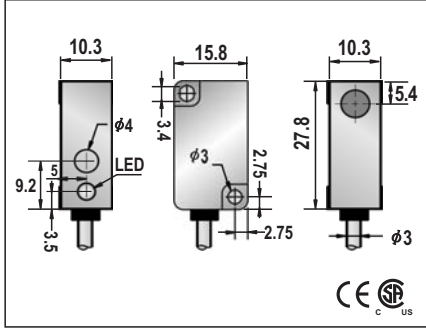


10-30VDC
<10%
<10mA
200mA
<0.01mA
-
-
<1.5V
500HZ
0.5ms/0.5ms
<15%
<1.0%(Sr)
IP67
-25 °C - +70 °C
<10%(Sr)
YES
220mA
<10ms
RFI>3V/m / EFT>1KV / ESD>4KV (contact)
IEC 60947-5-2,Part 7.4.1 / IEC 60947-5-2,Part 7.4.2
PBT

EQM1-2508N-ACU3T	25
EQM1-2508N-BCU3T	25
EQM1-2508P-ACU3T	26
EQM1-2508P-BCU3T	26
EQM1-2508P-SCU4T	28
<u>EQM1-2508N-SCU4T</u>	27
<u>EQM1-2508C-ACU3T</u>	35
<u>EQM1-2508C-BCU3T</u>	73

Please see Page 18 for details and specifications of DC 2-Wire models on this page.
Approx.55 g

Q16x28x10
● ○
2 mm 4 mm
die-cast
●



10-30VDC or 5-36VDC
<10%
<10mA
200mA
<0.01mA
-
-
<1.5V
2KHZ
0.1ms/0.1ms
<15%(Sr)
<1.0%(Sr)
IP67
-25 °C - +70 °C
<10%(Sr)
YES
220mA
<10ms
RFI>3V/m / EFT>1KV / ESD>4KV (contact)
IEC 60947-5-2,Part 7.4.1 / IEC 60947-5-2,Part 7.4.2
POM

EQM1-2802N-A3U2	1	EQM2-2804N-A3U2
EQM1-2802N-B3U2	2	EQM2-2804N-B3U2
EQM1-2802P-A3U2	3	EQM2-2804P-A3U2
EQM1-2802P-B3U2	4	EQM2-2804P-B3U2
EQM1-2802P-S4U2	6	EQM2-2804P-S4U2
EQM1-2802N-S4U2	5	EQM2-2804N-S4U2
EQM1-2802C-A2U2	7	EQM2-2804C-A2U2
EQM1-2802C-B2U2	8	EQM2-2804C-B2U2

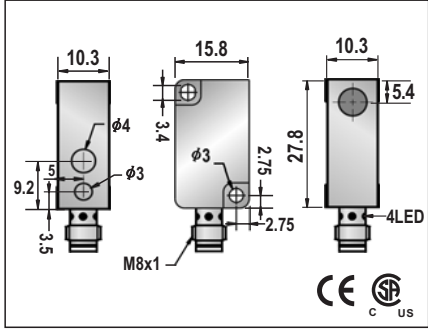
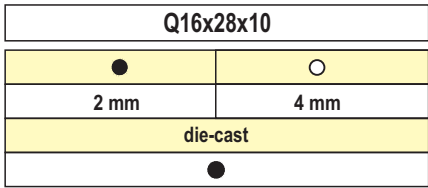
3.0 φ 3X0.15
Approx.60 g

Note: Coming Soon : Part numbers with underline  
In Preparation: Part numbers with a line through the middle

# Q16x28x10、Q40x25x12

## DC EXTENDED SENSING DISTANCE PROXIMITY SWITCH SQUARE TYPE

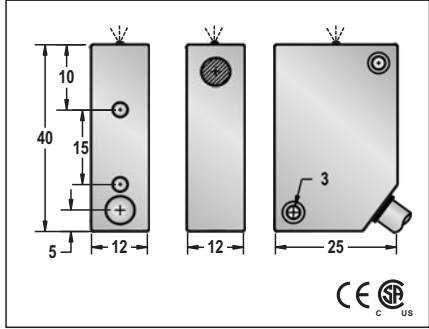
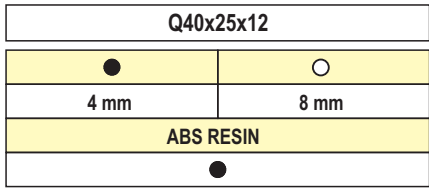
DC EXTENDED SENSING DISTANCE PROXIMITY SWITCH SQUARE TYPE



10-30VDC or 5-36VDC	
<10%	
<10mA	
200mA	
<0.01mA	
-	
-	
<1.5V	
2KHZ	
0.1ms/0.1ms	
<15%(Sr)	
<1.0%(Sr)	
IP67	
-25°C - +70°C	
<10%(Sr)	
YES	
220mA	
<10ms	
RFI>3V/m / EFT>1KV / ESD>4KV (contact)	
IEC 60947-5-2, Part 7.4.1 / IEC 60947-5-2, Part 7.4.2	
POM	

<u>EQM1-2802N-ACU3</u>	29	<u>EQM2-2804N-ACU3</u>
<u>EQM1-2802N-BCU3</u>	29	<u>EQM2-2804N-BCU3</u>
<u>EQM1-2802P-ACU3</u>	30	<u>EQM2-2804P-ACU3</u>
<u>EQM1-2802P-BCU3</u>	30	<u>EQM2-2804P-BCU3</u>
<u>EQM1-2802P-SCU4</u>	32	<u>EQM2-2804P-SCU4</u>
<u>EQM1-2802N-SCU4</u>	31	<u>EQM2-2804N-SCU4</u>
<u>EQM1-2802C-ACU3</u>	39	<u>EQM2-2804C-ACU3</u>
<u>EQM1-2802C-BCU3</u>	77	<u>EQM2-2804C-BCU3</u>

Approx.60 g

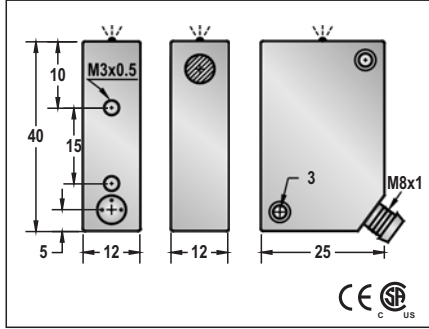
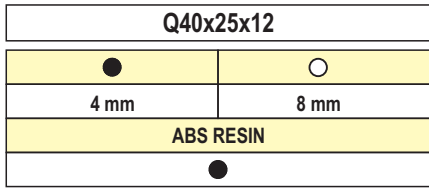


10-30VDC	
<10%	
<10mA	
200mA	
<0.01mA	
-	
-	
<1.5V	
1KHZ	500HZ
0.2ms/0.2ms	0.5ms/0.5ms
<15%	
<1.0%(Sr)	
IP67	
-25°C - +70 °C	
<10%(Sr)	
YES	
220mA	
<10ms	
RFI>3V/m / EFT>1KV / ESD>4KV (contact)	
IEC 60947-5-2, Part 7.4.1 / IEC 60947-5-2, Part 7.4.2	
-	

<u>EQP1-4004N-A3U2</u>	1	<u>EQP2-4008N-A3U2</u>
<u>EQP1-4004N-B3U2</u>	2	<u>EQP2-4008N-B3U2</u>
<u>EQP1-4004P-A3U2</u>	3	<u>EQP2-4008P-A3U2</u>
<u>EQP1-4004P-B3U2</u>	4	<u>EQP2-4008P-B3U2</u>
<u>EQP1-4004P-S4U2</u>	6	<u>EQP2-4008P-S4U2</u>
<u>EQP1-4004N-S4U2</u>	5	<u>EQP2-4008N-S4U2</u>
<u>EQP1-4004C-A2U2</u>	7	<u>EQP2-4008C-A2U2</u>
<u>EQP1-4004C-B2U2</u>	8	<u>EQP2-4008C-B2U2</u>

Please see Page 18 for details and specifications of DC 2-Wire models on this page.

4φ3x0.15  
Approx.60 g



10-30VDC	
<10%	
<10mA	
200mA	
<0.01mA	
-	
-	
<1.5V	
1KHZ	500HZ
0.2ms/0.2ms	0.5ms/0.5ms
<15%	
<1.0%(Sr)	
IP67	
-25°C - +70 °C	
<10%(Sr)	
YES	
220mA	
<10ms	
RFI>3V/m / EFT>1KV / ESD>4KV (contact)	
IEC 60947-5-2, Part 7.4.1 / IEC 60947-5-2, Part 7.4.2	
-	

<u>EQP1-4004N-ACU3</u>	29	<u>EQP2-4008N-ACU3</u>
<u>EQP1-4004N-BCU3</u>	29	<u>EQP2-4008N-BCU3</u>
<u>EQP1-4004P-ACU3</u>	30	<u>EQP2-4008P-ACU3</u>
<u>EQP1-4004P-BCU3</u>	30	<u>EQP2-4008P-BCU3</u>
<u>EQP1-4004P-SCU4</u>	32	<u>EQP2-4008P-SCU4</u>
<u>EQP1-4004N-SCU4</u>	31	<u>EQP2-4008N-SCU4</u>
<u>EQP1-4004C-ACU3</u>		<u>EQP2-4008C-ACU3</u>
<u>EQP1-4004C-BCU3</u>		<u>EQP2-4008C-BCU3</u>

Approx.55 g

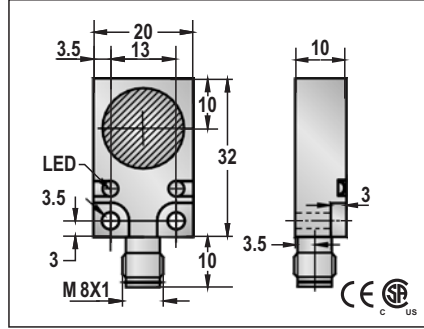
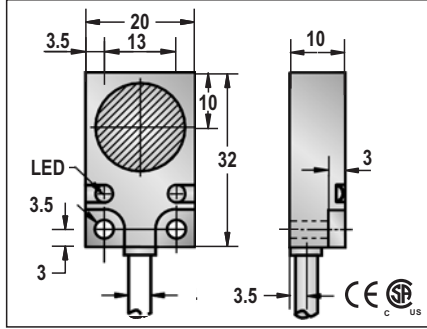
Note:  
Coming Soon : Part numbers with underline  
In Preparation: Part numbers with a line through the middle

## DC EXTENDED SENSING DISTANCE PROXIMITY SWITCH SQUARE TYPE

DC EXTENDED SENSING DISTANCE PROXIMITY SWITCH SQUARE TYPE

Q20x32x10	
●	
8 mm	
die-cast	
●	

Q20x32x10	
●	
8 mm	
die-cast	
●	



10-30VDC
<10%
<10mA
200mA
<0.01mA
-
<1.5V
500HZ
0.5ms/0.5ms
<15%
<1.0%(Sr)
IP67
-25°C - +70°C
<10%(Sr)
YES
220mA
<10ms
RFI>3V/m / EFT>1KV / ESD>4KV (contact)
IEC 60947-5-2,Part 7.4.1 / IEC 60947-5-2,Part 7.4.2
PBT

10-30VDC
<10%
<10mA
200mA
<0.01mA
-
<1.5V
500HZ
0.5ms/0.5ms
<15%
<1.0%(Sr)
IP67
-25°C - +70°C
<10%(Sr)
YES
220mA
<10ms
RFI>3V/m / EFT>1KV / ESD>4KV (contact)
IEC 60947-5-2,Part 7.4.1 / IEC 60947-5-2,Part 7.4.2
PBT

<u>EQM1-2008N-A3U2T</u>	1
<u>EQM1-2008N-B3U2T</u>	2
<u>EQM1-2008P-A3U2T</u>	3
<u>EQM1-2008P-B3U2T</u>	4
<u>EQM1-2008P-S4U2T</u>	6
<u>EQM1-2008N-S4U2T</u>	5
<u>EQM1-2008C-A2U2T</u>	7
<u>EQM1-2008C-B2U2T</u>	8

<u>EQM1-2008N-ACU3T</u>	29
<u>EQM1-2008N-BCU3T</u>	29
<u>EQM1-2008P-ACU3T</u>	30
<u>EQM1-2008P-BCU3T</u>	30
<u>EQM1-2008P-SCU4T</u>	32
<u>EQM1-2008N-SCU4T</u>	31

Please see Page 18 for details and specifications of DC 2-Wire models on this page.

4 ϕ3x0.15

Approx.55 g

Approx.30 g

Note:  
Coming Soon : Part numbers with underline