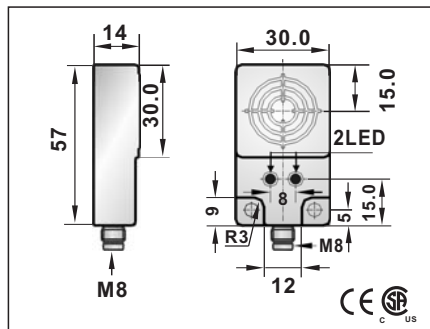


# Q14、Q16x28x10

## DC INDUCTIVE PROXIMITY SWITCH SQUARE CONNECTOR TYPE

DC INDUCTIVE PROXIMITY SWITCH  
SQUARE CONNECTOR TYPE

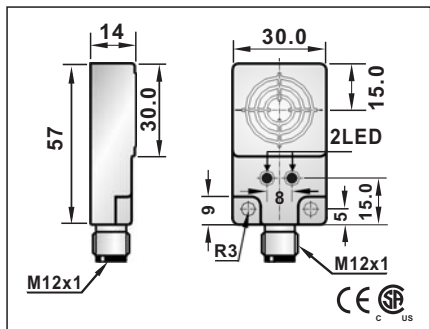
<b>Q 14</b>
●
10 mm
PBT RESIN
●



10-30VDC
<10%
<10mA
200mA
<0.01mA
-
-
<1.5V
500HZ
0.5ms/0.5ms
<15%(Sr)
<1.0%(Sr)
IP67
-25 °C - +70 °C
<10%(Sr)
YES
220mA
<10ms
RFI>3V/m / EFT>1KV / ESD>4KV (contact)
IEC 60947-5-2,Part 7.4.1 / IEC 60947-5-2,Part 7.4.2
PBT

<u>FQP1-1410N-ACU3T</u>	29
<u>FQP1-1410N-BCU3T</u>	29
<u>FQP1-1410P-ACU3T</u>	30
<u>FQP1-1410P-BCU3T</u>	30
<u>FQP1-1410C-ACU3T</u>	39
<u>FQP1-1410C-BCU3T</u>	77

<b>Q 14</b>
●
10 mm
PBT RESIN
●



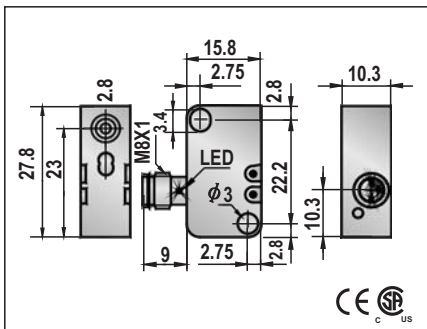
10-30VDC
<10%
<10mA
200mA
<0.01mA
-
-
<1.5V
500HZ
0.5ms/0.5ms
<15%(Sr)
<1.0%(Sr)
IP67
-25 °C - +70 °C
<10%(Sr)
YES
220mA
<10ms
RFI>3V/m / EFT>1KV / ESD>4KV (contact)
IEC 60947-5-2,Part 7.4.1 / IEC 60947-5-2,Part 7.4.2
PBT

<u>FQP1-1410N-ARU4T</u>	33
<u>FQP1-1410N-BRU4T</u>	34
<u>FQP1-1410P-ARU4T</u>	35
<u>FQP1-1410P-BRU4T</u>	36
<u>FQP1-1410C-ARU4T</u>	40
<u>FQP1-1410C-BRU4T</u>	78

Please see Page 18 for details and specifications of DC 2-Wire models on this page.

4 φ 3x0.15
Approx.80 g

<b>Q16x28x10</b>	
●	○
1 mm	2 mm
PBT RESIN	
●	



10-30VDC
<10%
<10mA
200mA
<0.01mA
-
-
<1.5V
2KHZ
0.1ms/0.1ms
<15%(Sr)
<1.0%(Sr)
IP67
-25 °C - +75 °C
<10%(Sr)
YES
220mA
<10ms
RFI>3V/m / EFT>1KV / ESD>4KV (contact)
IEC 60947-5-2,Part 7.4.1 / IEC 60947-5-2,Part 7.4.2
PBT

<u>FQP1-Q2801N-ACU3X</u>	29	<u>FQP2-Q2802N-ACU3X</u>
<u>FQP1-Q2801N-BCU3X</u>	29	<u>FQP2-Q2802N-BCU3X</u>
<u>FQP1-Q2801P-ACU3X</u>	30	<u>FQP2-Q2802P-ACU3X</u>
<u>FQP1-Q2801P-BCU3X</u>	30	<u>FQP2-Q2802P-BCU3X</u>
<u>FQP1-Q2801C-ACU3X</u>	39	<u>FQP2-Q2802C-ACU3X</u>
<u>FQP1-Q2801C-BCU3X</u>	77	<u>FQP2-Q2802C-BCU3X</u>

Please see Page 18 for details and specifications of DC 2-Wire models on this page.

4 φ 3x0.15
Approx.30 g

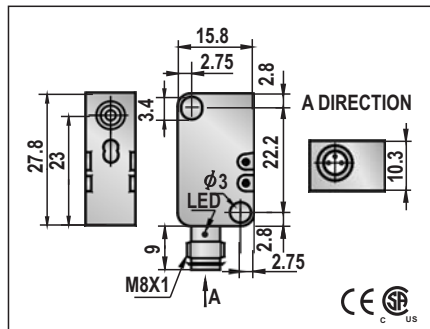
**Note:**  
Coming Soon : Part numbers with underline  
In Preparation: Part numbers with a line through the middle

# Q16x28x10、Q42、Q25s

## DC INDUCTIVE PROXIMITY SWITCH SQUARE CONNECTOR TYPE

DC INDUCTIVE PROXIMITY SWITCH  
SQUARE CONNECTOR TYPE

Q16x28x10	
●	○
1 mm	2 mm
PBT RESIN	
●	

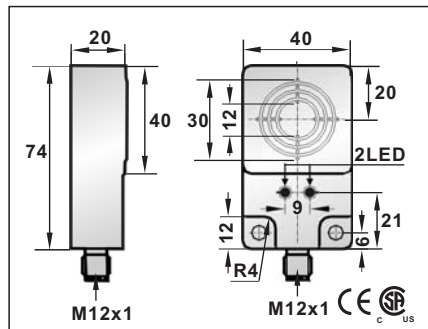


10-30VDC
<10%
<10mA
200mA
<0.01mA
-
-
<1.5V
2KHZ
0.1ms/0.1ms
<15%(Sr)
<1.0%(Sr)
IP67
-25°C - +75°C
<10%(Sr)
YES
220mA
<10ms
RFI>3V/m / EFT>1KV / ESD>4KV (contact)
IEC 60947-5-2,Part 7.4.1 / IEC 60947-5-2,Part 7.4.2
PBT

FQP1-2801N-ACU3	29	FQP2-2802N-ACU3
FQP1-2801N-BCU3	29	FQP2-2802N-BCU3
FQP1-2801P-ACU3	30	FQP2-2802P-ACU3
FQP1-2801P-BCU3	30	FQP2-2802P-BCU3
FQP1-2801C-ACU3	39	FQP2-2802C-ACU3
FQP1-2801C-BCU3	77	FQP2-2802C-BCU3

Approx.30 g
-------------

Q 42	
●	
20 mm	
ABS RESIN	
●	



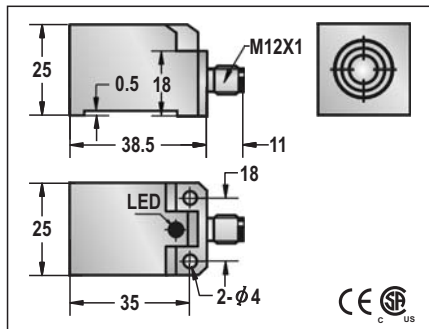
10-30VDC
<10%
<10mA
200mA
<0.01mA
-
-
<1.5V
500HZ
0.5ms/0.5ms
<15%(Sr)
<1.0%(Sr)
IP67
-25°C - +70°C
<10%(Sr)
YES
220mA
<10ms
RFI>3V/m / EFT>1KV / ESD>4KV (contact)
IEC 60947-5-2,Part 7.4.1 / IEC 60947-5-2,Part 7.4.2
POM

<u>FQP1-2020N-ARU4T</u>	33
<u>FQP1-2020N-BRU4T</u>	34
<u>FQP1-2020P-ARU4T</u>	35
<u>FQP1-2020P-BRU4T</u>	36

Approx.110 g
--------------

Please see Page 18 for details and specifications of DC 2-Wire models on this page.

Q25s	
●	
10 mm	
PBT RESIN	
●	



10-30VDC or 10-55VDC
<10%
<10mA or <20mA
200mA
<0.01mA
-
-
<1.5V or <2.0V
300HZ
0.5ms/0.5ms
<15%(Sr)
<1.0%(Sr)
IP67
-25°C - +75°C
<10%(Sr)
YES
220mA
<10ms
RFI>3V/m / EFT>1KV / ESD>4KV (contact)
IEC 60947-5-2,Part 7.4.1 / IEC 60947-5-2,Part 7.4.2
PBT

<u>FQP1-2510N-ARS4F</u>	33
<u>FQP1-2510N-BRS4F</u>	34
<u>FQP1-2510P-ARS4F</u>	35
<u>FQP1-2510P-BRS4F</u>	36
<u>FQP1-2510P-SRS4F</u>	38
<u>FQP1-2510N-SRS4F</u>	37
<u>FQP1-2510C-ARS4F</u>	40
<u>FQP1-2510C-BRS4F</u>	78
<u>HQP1-2510N-ARS4F</u>	33
<u>HQP1-2510N-BRS4F</u>	34
<u>HQP1-2510P-ARS4F</u>	35
<u>HQP1-2510P-BRS4F</u>	36

Approx.80 g
-------------

1. Voltage Drop:<1.5V(10-30V),<2V(10-55V).  
2. 10-55V type: No Load Current < 20mA.

Note:  
Coming Soon : Part numbers with underline  
In Preparation: Part numbers with a line through the middle

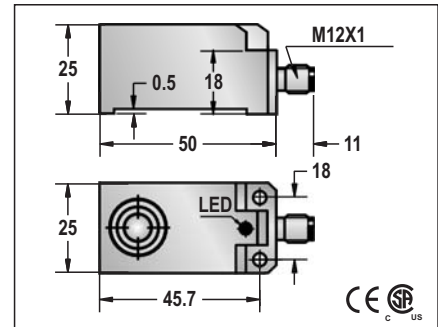
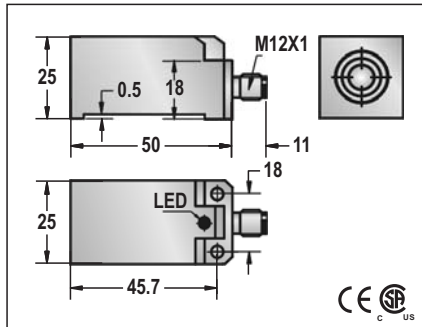
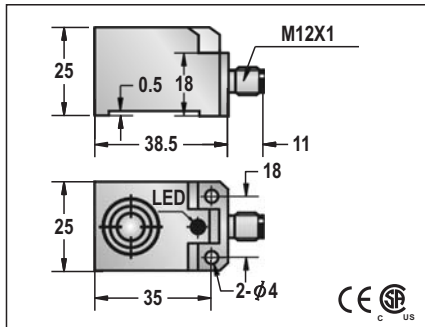
## DC INDUCTIVE PROXIMITY SWITCH SQUARE CONNECTOR TYPE

DC INDUCTIVE PROXIMITY SWITCH  
SQUARE CONNECTOR TYPE

<b>Q25s</b>
●
10 mm
PBT RESIN
●

<b>Q25</b>
●
10 mm
PBT RESIN
●

<b>Q25</b>
●
10 mm
PBT RESIN
●



10-30VDC or 10-55VDC
<10%
<10mA or <20mA
200mA
<0.01mA
-
-
<1.5V or <2.0V
300HZ
0.5ms/0.5ms
<15%(Sr)
<1.0%(Sr)
IP67
-25°C - +75 °C
<10%(Sr)
YES
220mA
<10ms
RFI>3V/m / EFT>1KV / ESD>4KV (contact)
IEC 60947-5-2,Part 7.4.1 / IEC 60947-5-2,Part 7.4.2
PBT

10-30VDC or 10-55VDC
<10%
<10mA or <20mA
200mA
<0.01mA
-
-
<1.5V or <2.0V
300HZ
0.5ms/0.5ms
<15%(Sr)
<1.0%(Sr)
IP67
-25°C - +70 °C
<10%(Sr)
YES
220mA
<10ms
RFI>3V/m / EFT>1KV / ESD>4KV (contact)
IEC 60947-5-2,Part 7.4.1 / IEC 60947-5-2,Part 7.4.2
PBT

10-30VDC or 10-55VDC
<10%
<10mA or <20mA
200mA
<0.01mA
-
-
<1.5V or <2.0V
300HZ
0.5ms/0.5ms
<15%(Sr)
<1.0%(Sr)
IP67
-25°C - +75 °C
<10%(Sr)
YES
220mA
<10ms
RFI>3V/m / EFT>1KV / ESD>4KV (contact)
IEC 60947-5-2,Part 7.4.1 / IEC 60947-5-2,Part 7.4.2
PBT

<u>FQP1-2510N-ARS4T</u>	33
<u>FQP1-2510N-BRS4T</u>	34
<u>FQP1-2510P-ARS4T</u>	35
<u>FQP1-2510P-BRS4T</u>	36
<u>FQP1-2510P-SRS4T</u>	38
<u>FQP1-2510N-SRS4T</u>	37
<u>FQP1-2510C-ARS4T</u>	40
<u>FQP1-2510C-BRS4T</u>	78
<u>HQP1-2510N-ARS4T</u>	33
<u>HQP1-2510N-BRS4T</u>	34
<u>HQP1-2510P-ARS4T</u>	35
<u>HQP1-2510P-BRS4T</u>	36

<u>FQP1-2510N-ARU4F</u>	33
<u>FQP1-2510N-BRU4F</u>	34
<u>FQP1-2510P-ARU4F</u>	35
<u>FQP1-2510P-BRU4F</u>	36
<u>FQP1-2510P-SRU4F</u>	38
<u>FQP1-2510N-SRU4F</u>	37
<u>FQP1-2510C-ARU4F</u>	40
<u>FQP1-2510C-BRU4F</u>	78
<u>HQP1-2510N-ARU4F</u>	33
<u>HQP1-2510N-BRU4F</u>	34
<u>HQP1-2510P-ARU4F</u>	35
<u>HQP1-2510P-BRU4F</u>	36

<u>FQP1-2510N-ARU4T</u>	33
<u>FQP1-2510N-BRU4T</u>	34
<u>FQP1-2510P-ARU4T</u>	35
<u>FQP1-2510P-BRU4T</u>	36
<u>FQP1-2510P-SRU4T</u>	38
<u>FQP1-2510N-SRU4T</u>	37
<u>FQP1-2510C-ARU4T</u>	40
<u>FQP1-2510C-BRU4T</u>	78
<u>HQP1-2510N-ARU4T</u>	33
<u>HQP1-2510N-BRU4T</u>	34
<u>HQP1-2510P-ARU4T</u>	35
<u>HQP1-2510P-BRU4T</u>	36

1. Voltage Drop:<1.5V(10-30V),<2V(10-55V).  
2. 10-55V type: No Load Current < 20mA.

Please see Page 18 for details and specifications of DC 2-Wire models on this page.

Approx.80 g

Approx.90 g

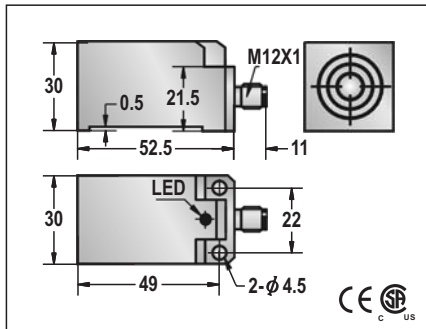
Approx.90 g

Note:  
Coming Soon : Part numbers with underline

## DC INDUCTIVE PROXIMITY SWITCH SQUARE CONNECTOR TYPE

DC INDUCTIVE PROXIMITY SWITCH SQUARE CONNECTOR TYPE

Q30	
●	○
10 mm	15 mm
PBT RESIN	
●	

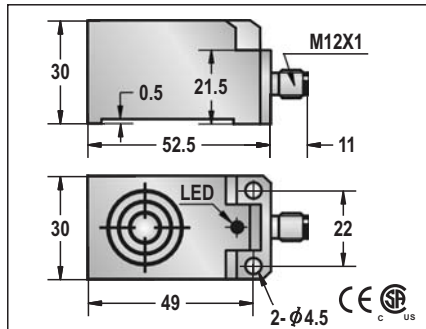


10-30VDC or 10-55VDC
<10%
<10mA or <20mA
200mA
<0.01mA
-
-
<1.5V or <2.0V
100HZ
1ms/1ms
<15%(Sr)
<1.0%(Sr)
IP67
-25°C - +70°C
<10%(Sr)
YES
220mA
<10ms
RFI>3V/m / EFT>1KV / ESD>4KV (contact)
IEC 60947-5-2, Part 7.4.1 / IEC 60947-5-2, Part 7.4.2
PBT

<u>FQP1-3010N-ARU4F</u>	33	<u>FQP2-3015N-ARU4F</u>
<u>FQP1-3010N-BRU4F</u>	34	<u>FQP2-3015N-BRU4F</u>
<u>FQP1-3010P-ARU4F</u>	35	<u>FQP2-3015P-ARU4F</u>
<u>FQP1-3010P-BRU4F</u>	36	<u>FQP2-3015P-BRU4F</u>
<u>FQP1-3010P-SRU4F</u>	38	<u>FQP2-3015P-SRU4F</u>
<u>FQP1-3010N-SRU4F</u>	37	<u>FQP2-3015N-SRU4F</u>
<u>FQP1-3010C-ARU4F</u>	40	<u>FQP2-3015C-ARU4F</u>
<u>FQP1-3010C-BRU4F</u>	78	<u>FQP2-3015C-BRU4F</u>
<u>HQP1-3010N-ARU4F</u>	33	<u>HQP2-3015N-ARU4F</u>
<u>HQP1-3010N-BRU4F</u>	34	<u>HQP2-3015N-BRU4F</u>
<u>HQP1-3010P-ARU4F</u>	35	<u>HQP2-3015P-ARU4F</u>
<u>HQP1-3010P-BRU4F</u>	36	<u>HQP2-3015P-BRU4F</u>

1. Voltage Drop: <1.5V(10-30V), <2V(10-55V).
2. 10-55V type: No Load Current < 20mA.
Approx.120 g

Q30	
●	○
10 mm	15 mm
PBT RESIN	
●	

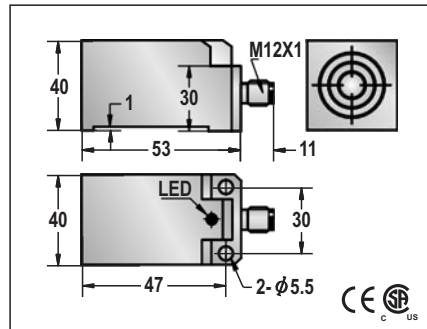


10-30VDC or 10-55VDC
<10%
<10mA or <20mA
200mA
<0.01mA
-
-
<1.5V or <2.0V
100HZ
1ms/1ms
<15%(Sr)
<1.0%(Sr)
IP67
-25°C - +75°C
<10%(Sr)
YES
220mA
<10ms
RFI>3V/m / EFT>1KV / ESD>4KV (contact)
IEC 60947-5-2, Part 7.4.1 / IEC 60947-5-2, Part 7.4.2
PBT

<u>FQP1-3010N-ARU4T</u>	33	<u>FQP2-3015N-ARU4T</u>
<u>FQP1-3010N-BRU4T</u>	34	<u>FQP2-3015N-BRU4T</u>
<u>FQP1-3010P-ARU4T</u>	35	<u>FQP2-3015P-ARU4T</u>
<u>FQP1-3010P-BRU4T</u>	36	<u>FQP2-3015P-BRU4T</u>
<u>FQP1-3010P-SRU4T</u>	38	<u>FQP2-3015P-SRU4T</u>
<u>FQP1-3010N-SRU4T</u>	37	<u>FQP2-3015N-SRU4T</u>
<u>FQP1-3010C-ARU4T</u>	40	<u>FQP2-3015C-ARU4T</u>
<u>FQP1-3010C-BRU4T</u>	78	<u>FQP2-3015C-BRU4T</u>
<u>HQP1-3010N-ARU4T</u>	33	<u>HQP2-3015N-ARU4T</u>
<u>HQP1-3010N-BRU4T</u>	34	<u>HQP2-3015N-BRU4T</u>
<u>HQP1-3010P-ARU4T</u>	35	<u>HQP2-3015P-ARU4T</u>
<u>HQP1-3010P-BRU4T</u>	36	<u>HQP2-3015P-BRU4T</u>

Please see Page 18 for details and specifications of DC 2-Wire models on this page.
Approx.120 g

Q40	
●	○
15 mm	30 mm
PBT RESIN	
●	



10-30VDC or 10-55VDC
<10%
<10mA or <20mA
200mA
<0.01mA
-
-
<1.5V or <2.0V
100HZ
1ms/1ms
<15%(Sr)
<1.0%(Sr)
IP67
-25°C - +70°C
<10%(Sr)
YES
220mA
<10ms
RFI>3V/m / EFT>1KV / ESD>4KV (contact)
IEC 60947-5-2, Part 7.4.1 / IEC 60947-5-2, Part 7.4.2
PBT

<u>FQP1-4515N-ARU4F</u>	33	<u>FQP2-4530N-ARU4F</u>
<u>FQP1-4515N-BRU4F</u>	34	<u>FQP2-4530N-BRU4F</u>
<u>FQP1-4515P-ARU4F</u>	35	<u>FQP2-4530P-ARU4F</u>
<u>FQP1-4515P-BRU4F</u>	36	<u>FQP2-4530P-BRU4F</u>
<u>FQP1-4515P-SRU4F</u>	38	<u>FQP2-4530P-SRU4F</u>
<u>FQP1-4515N-SRU4F</u>	37	<u>FQP2-4530N-SRU4F</u>
<u>FQP1-4515C-ARU4F</u>	40	<u>FQP2-4530C-ARU4F</u>
<u>FQP1-4515C-BRU4F</u>	78	<u>FQP2-4530C-BRU4F</u>
<u>HQP1-4515N-ARU4F</u>	33	<u>HQP2-4530N-ARU4F</u>
<u>HQP1-4515N-BRU4F</u>	34	<u>HQP2-4530N-BRU4F</u>
<u>HQP1-4515P-ARU4F</u>	35	<u>HQP2-4530P-ARU4F</u>
<u>HQP1-4515P-BRU4F</u>	36	<u>HQP2-4530P-BRU4F</u>

Approx.155 g
--------------

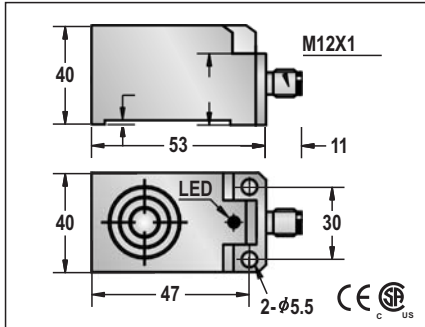
Note:  
Coming Soon : Part numbers with underline  
In Preparation: Part numbers with a line through the middle

# Q40、Q30x45x12、Q40x50x17

## DC INDUCTIVE PROXIMITY SWITCH SQUARE CONNECTOR TYPE

DC INDUCTIVE PROXIMITY SWITCH  
SQUARE CONNECTOR TYPE

Q40	
●	○
15 mm	30 mm
PBT RESIN	
●	



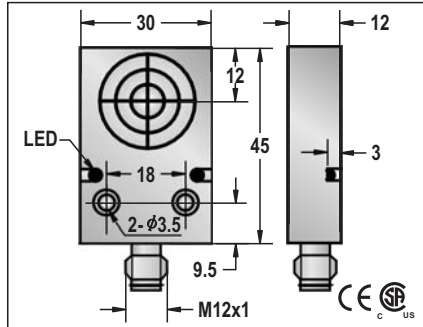
10-30VDC or 10-55VDC
<10%
<10mA or <20mA
200mA
<0.01mA
-
<1.5V or <2.0V
100HZ
1ms/1ms
<15%(Sr)
<1.0%(Sr)
IP67
-25 °C - +70 °C
<10%(Sr)
YES
220mA
<10ms
RFI>3V/m / EFT>1KV / ESD>4KV (contact)
IEC 60947-5-2,Part 7.4.1 / IEC 60947-5-2,Part 7.4.2
PBT

<u>FQP1-4515N-ARU4T</u>	33	<u>FQP2-4530N-ARU4T</u>
<u>FQP1-4515N-BRU4T</u>	34	<u>FQP2-4530N-BRU4T</u>
<u>FQP1-4515P-ARU4T</u>	35	<u>FQP2-4530P-ARU4T</u>
<u>FQP1-4515P-BRU4T</u>	36	<u>FQP2-4530P-BRU4T</u>
<u>FQP1-4515P-SRU4T</u>	38	<u>FQP2-4530P-SRU4T</u>
<u>FQP1-4515N-SRU4T</u>	37	<u>FQP2-4530N-SRU4T</u>
<u>FQP1-4515C-ARU4T</u>	40	<u>FQP2-4530C-ARU4T</u>
<u>FQP1-4515C-BRU4T</u>	78	<u>FQP2-4530C-BRU4T</u>
<u>HQP1-4515N-ARU4T</u>	33	<u>HQP2-4530N-ARU4T</u>
<u>HQP1-4515N-BRU4T</u>	34	<u>HQP2-4530N-BRU4T</u>
<u>HQP1-4515P-ARU4T</u>	35	<u>HQP2-4530P-ARU4T</u>
<u>HQP1-4515P-BRU4T</u>	36	<u>HQP2-4530P-BRU4T</u>

1. Voltage Drop:<1.5V(10-30V),<2V(10-55V).  
2. 10-55V type: No Load Current < 20mA.

Approx.155 g

Q30x45x12	
●	○
10 mm	15 mm
PBT RESIN	
●	



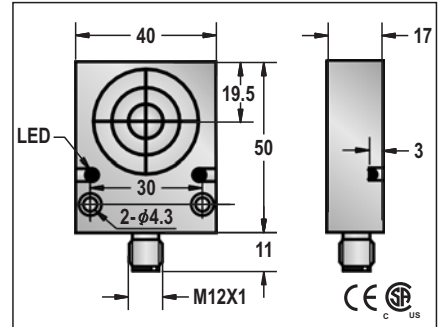
10-30VDC or 10-55VDC
<10%
<10mA or <20mA
200mA
<0.01mA
-
<1.5V or <2.0V
100HZ
1ms/1ms
<15%(Sr)
<1.0%(Sr)
IP67
-25 °C - +70 °C
<10%(Sr)
YES
220mA
<10ms
RFI>3V/m / EFT>1KV / ESD>4KV (contact)
IEC 60947-5-2,Part 7.4.1 / IEC 60947-5-2,Part 7.4.2
PBT

<u>FQP1-3110N-ARU4T</u>	33	<u>FQP2-3115N-ARU4T</u>
<u>FQP1-3110N-BRU4T</u>	34	<u>FQP2-3115N-BRU4T</u>
<u>FQP1-3110P-ARU4T</u>	35	<u>FQP2-3115P-ARU4T</u>
<u>FQP1-3110P-BRU4T</u>	36	<u>FQP2-3115P-BRU4T</u>
<u>FQP1-3110P-SRU4T</u>	38	<u>FQP2-3115P-SRU4T</u>
<u>FQP1-3110N-SRU4T</u>	37	<u>FQP2-3115N-SRU4T</u>
<u>FQP1-3110C-ARU4T</u>	40	<u>FQP2-3115C-ARU4T</u>
<u>FQP1-3110C-BRU4T</u>	78	<u>FQP2-3115C-BRU4T</u>
<u>HQP1-3110N-ARU4T</u>	33	<u>HQP2-3115N-ARU4T</u>
<u>HQP1-3110N-BRU4T</u>	34	<u>HQP2-3115N-BRU4T</u>
<u>HQP1-3110P-ARU4T</u>	35	<u>HQP2-3115P-ARU4T</u>
<u>HQP1-3110P-BRU4T</u>	36	<u>HQP2-3115P-BRU4T</u>

Please see Page 18 for details and specifications of DC 2-Wire models on this page.

Approx.65 g

Q40x50x17	
●	○
15 mm	30 mm
PBT RESIN	
●	



10-30VDC or 10-55VDC
<10%
<10mA or <20mA
200mA
<0.01mA
-
<1.5V or <2.0V
100HZ
1ms/1ms
<15%(Sr)
<1.0%(Sr)
IP67
-25 °C - +70 °C
<10%(Sr)
YES
220mA
<10ms
RFI>3V/m / EFT>1KV / ESD>4KV (contact)
IEC 60947-5-2,Part 7.4.1 / IEC 60947-5-2,Part 7.4.2
PBT

<u>FQP1-4115N-ARU4T</u>	33	<u>FQP2-4130N-ARU4T</u>
<u>FQP1-4115N-BRU4T</u>	34	<u>FQP2-4130N-BRU4T</u>
<u>FQP1-4115P-ARU4T</u>	35	<u>FQP2-4130P-ARU4T</u>
<u>FQP1-4115P-BRU4T</u>	36	<u>FQP2-4130P-BRU4T</u>
<u>FQP1-4115P-SRU4T</u>	38	<u>FQP2-4130P-SRU4T</u>
<u>FQP1-4115N-SRU4T</u>	37	<u>FQP2-4130N-SRU4T</u>
<u>FQP1-4115C-ARU4T</u>	40	<u>FQP2-4130C-ARU4T</u>
<u>FQP1-4115C-BRU4T</u>	78	<u>FQP2-4130C-BRU4T</u>
<u>HQP1-4115N-ARU4T</u>	33	<u>HQP2-4130N-ARU4T</u>
<u>HQP1-4115N-BRU4T</u>	34	<u>HQP2-4130N-BRU4T</u>
<u>HQP1-4115P-ARU4T</u>	35	<u>HQP2-4130P-ARU4T</u>
<u>HQP1-4115P-BRU4T</u>	36	<u>HQP2-4130P-BRU4T</u>

Approx.85 g

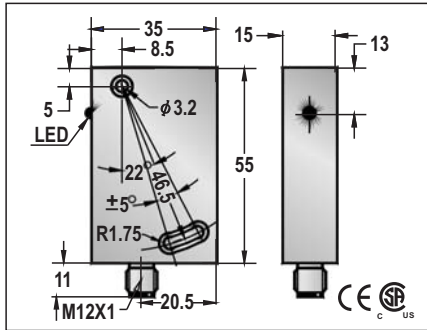
Note:  
Coming Soon : Part numbers with underline

# Q35x55x15、Q18C、Q50s

## DC INDUCTIVE PROXIMITY SWITCH SQUARE CONNECTOR TYPE

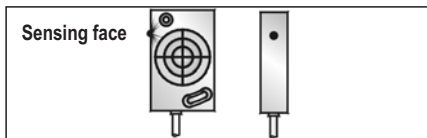
DC INDUCTIVE PROXIMITY SWITCH SQUARE CONNECTOR TYPE

Q35x55x15	
●	○
10 mm	15 mm
PBT RESIN	
●	



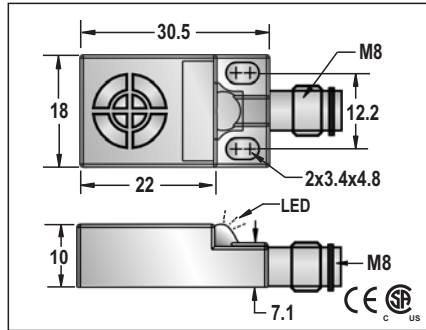
10-30VDC or 10-55VDC
<10%
<10mA or <20mA
200mA
<0.01mA
-
<1.5V or <2.0V
100HZ
1ms/1ms
<15%(Sr)
<1.0%(Sr)
IP67
-25 °C - +70 °C
<10%(Sr)
YES
220mA
<10ms
RFI>3V/m / EFT>1KV / ESD>4KV (contact)
IEC 60947-5-2,Part 7.4.1 / IEC 60947-5-2,Part 7.4.2
PBT

FQP1-3510N-ARU4T	33	FQP2-3515N-ARU4T	
FQP1-3510N-BRU4T	34	FQP2-3515N-BRU4T	
FQP1-3510P-ARU4T	35	FQP2-3515P-ARU4T	
FQP1-3510P-BRU4T	36	FQP2-3515P-BRU4T	
FQP1-3510P-SRU4T	38	FQP2-3515P-SRU4T	
FQP1-3510N-SRU4T	37	FQP2-3515N-SRU4T	
FQP1-3510C-ARU4T	40	FQP2-3515C-ARU4T	
FQP1-3510C-BRU4T	78	FQP2-3515C-BRU4T	
HQP1-3510N-ARU4T	33	HQP2-3515N-ARU4T	
HQP1-3510N-BRU4T	34	HQP2-3515N-BRU4T	
HQP1-3510P-ARU4T	35	HQP2-3515P-ARU4T	
HQP1-3510P-BRU4T	36	HQP2-3515P-BRU4T	



Approx.75 g

Q18C	
○	
4 mm	
POM RESIN	
●	



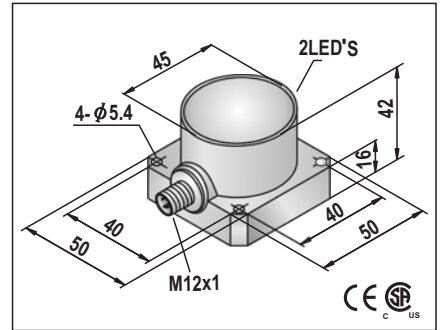
10-30VDC
<10%
<10mA
200mA
<0.01mA
-
<1.5V
500HZ
0.5ms/0.5ms
<15%(Sr)
<1.0%(Sr)
IP67
-25 °C - +70 °C
<10%(Sr)
YES
220mA
<10ms
RFI>3V/m / EFT>1KV / ESD>4KV (contact)
IEC 60947-5-2,Part 7.4.1 / IEC 60947-5-2,Part 7.4.2
POM

FQP2-18C04N-ACU3T	29
FQP2-18C04N-BCU3T	29
FQP2-18C04P-ACU3T	30
FQP2-18C04P-BCU3T	30
<u>FQP2-18C04C-ACU3T</u>	39
<u>FQP2-18C04C-BCU3T</u>	77

Please see Page 18 for details and specifications of DC 2-Wire models on this page.

Approx.21 g

Q50s	
○	
20 mm	
PBT	
●	



10-30VDC or 10-55VDC
<10%
<10mA or <20mA
200mA
<0.01mA
-
<1.5V or <2.0V
30HZ
2ms/2ms
<15%(Sr)
<1.0%(Sr)
IP67
-25 °C - +70 °C
<10%(Sr)
YES
220mA
<10ms
RFI>3V/m / EFT>1KV / ESD>4KV (contact)
IEC 60947-5-2,Part 7.4.1 / IEC 60947-5-2,Part 7.4.2
PBT

FQP2-5020N-ARS4T	33
FQP2-5020N-BRS4T	34
FQP2-5020P-ARS4T	35
FQP2-5020P-BRS4T	36
FQP2-5020P-SRS4T	38
FQP2-5020N-SRS4T	37
FQP2-5020C-ARS4T	40
FQP2-5020C-BRS4T	78
HQP2-5020N-ARS4T	33
HQP2-5020N-BRS4T	34
HQP2-5020P-ARS4T	35
HQP2-5020P-BRS4T	36

1. Voltage Drop:<1.5V(10-30V),<1V(5-36V), <2V(10-55V).  
2. 10-55V type: No Load Current < 20mA.

Approx.75 g

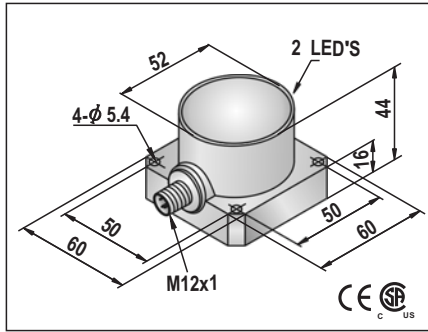
Note:

Coming Soon : Part numbers with underline  
In Preparation: Part numbers with a line through the middle

## DC INDUCTIVE PROXIMITY SWITCH SQUARE CONNECTOR TYPE

DC INDUCTIVE PROXIMITY SWITCH  
SQUARE CONNECTOR TYPE

Q60s
○
30 mm
PBT RESIN
●



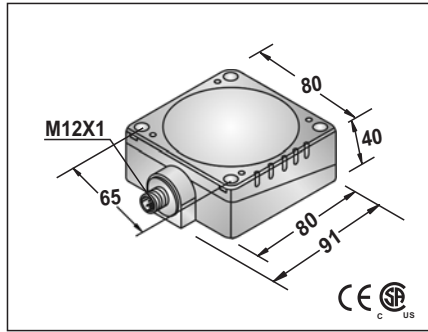
10-30VDC or 10-55VDC
<10%
<10mA or <20mA
200mA
<0.01mA
-
<1.5V or <2.0V
30HZ
2ms/2ms
<15%(Sr)
<1.0%(Sr)
IP67
-25 °C - +70 °C
<10%(Sr)
YES
220mA
<10ms
RFI>3V/m / EFT>1KV / ESD>4KV (contact)
IEC 60947-5-2,Part 7.4.1 / IEC 60947-5-2,Part 7.4.2
PBT

FQP2-6030N-ARS4T	33
FQP2-6030N-BRS4T	34
FQP2-6030P-ARS4T	35
FQP2-6030P-BRS4T	36
FQP2-6030P-SRS4T	38
FQP2-6030N-SRS4T	37
FQP2-6030C-ARS4T	40
FQP2-6030C-BRS4T	78
HQP2-6030N-ARS4T	33
HQP2-6030N-BRS4T	34
HQP2-6030P-ARS4T	35
HQP2-6030P-BRS4T	36

1. Voltage Drop:<1.5V(10-30V),<2V(10-55V).  
2. 10-55V type: No Load Current < 20mA.

Approx.75 g
-------------

Q80
●      ○
40 mm      50 mm
PBT RESIN
●



10-30VDC or 10-55VDC
<10%
<10mA or <20mA
200mA
<0.01mA
-
<1.5V or <2.0V
100HZ
1ms/1ms
<15%(Sr)
<1.0%(Sr)
IP67
-25 °C - +70 °C
<10%(Sr)
YES
220mA
<10ms
RFI>3V/m / EFT>1KV / ESD>4KV (contact)
IEC 60947-5-2,Part 7.4.1 / IEC 60947-5-2,Part 7.4.2
PBT

FQP1-8040N-ARU4T	33	FQP2-8050N-ARU4T
FQP1-8040N-BRU4T	34	FQP2-8050N-BRU4T
FQP1-8040P-ARU4T	35	FQP2-8050P-ARU4T
FQP1-8040P-B4URT	36	FQP2-8050P-BRU4T
FQP1-8040P-SRU4T	38	FQP2-8050P-SRU4T
FQP1-8040N-SRU4T	37	FQP2-8050N-SRU4T
FQP1-8040C-ARU4T	40	FQP2-8050C-ARU4T
FQP1-8040C-BRU4T	78	FQP2-8050C-BRU4T
HQP1-8040N-ARU4T	33	HQP2-8050N-ARU4T
HQP1-8040N-BRU4T	34	HQP2-8050N-BRU4T
HQP1-8040P-ARU4T	35	HQP2-8050P-ARU4T
HQP1-8040P-BRU4T	36	HQP2-8050P-BRU4T

Please see Page 18 for details and specifications of DC 2-Wire models on this page.

Approx.110 g
--------------

**Note:**

Coming Soon : Part numbers with underline  
In Preparation: Part numbers with a line through the middle