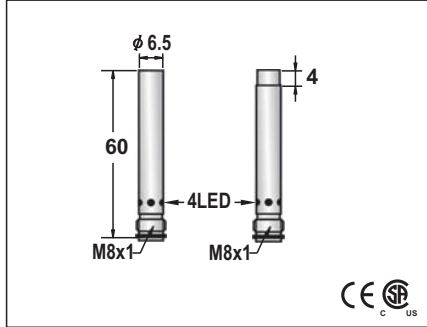


φ6.5、M8

DC LONG SENSING DISTANCE PROXIMITY SWITCH CONNECTOR TYPE

φ 6.5	
●	○
3 mm	6 mm
nickel plated brass	
●	

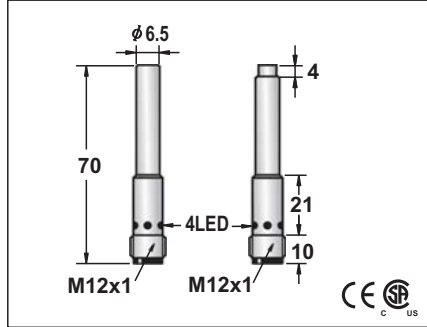


10-30VDC
<10%
<10mA
200mA
<0.01mA
-
-
<2.0V
1KHZ
0.1ms/0.1ms
<15%(Sr)
<2.0%(Sr)
IP67
-25 °C - +70 °C
<10%(Sr)
YES
220mA
<10ms
RFI>3V/m / EFT>1KV / ESD>4KV (contact)
IEC 60947-5-2,Part 7.4.1 / IEC 60947-5-2,Part 7.4.2
POM

LCM1-D0603N-ACU3	29	LCM2-D0606N-ACU3
LCM1-D0603N-BCU3	29	LCM2-D0606N-BCU3
LCM1-D0603P-ACU3	30	LCM2-D0606P-ACU3
LCM1-D0603P-BCU3	30	LCM2-D0606P-BCU3

Approx.17 g	Approx.16 g
-------------	-------------

φ 6.5	
●	○
3 mm	6 mm
nickel plated brass	
●	

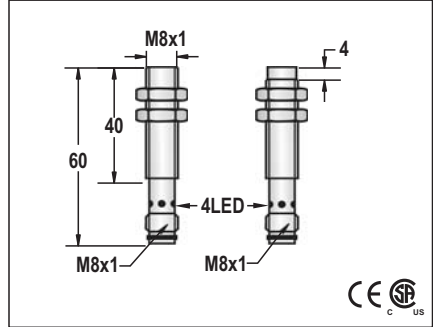


10-30VDC
<10%
<10mA
200mA
<0.01mA
-
-
<2.0V
1KHZ
0.1ms/0.1ms
<15%(Sr)
<2.0%(Sr)
IP67
-25 °C - +70 °C
<10%(Sr)
YES
220mA
<10ms
RFI>3V/m / EFT>1KV / ESD>4KV (contact)
IEC 60947-5-2,Part 7.4.1 / IEC 60947-5-2,Part 7.4.2
POM

LCM1-D0603N-ARU4	33	LCM2-D0606N-ARU4
LCM1-D0603N-BRU4	34	LCM2-D0606N-BRU4
LCM1-D0603P-ARU4	35	LCM2-D0606P-ARU4
LCM1-D0603P-BRU4	36	LCM2-D0606P-BRU4

Approx.25 g

M 8	
●	○
3 mm	6 mm
nickel plated brass	
●	



10-30VDC
<10%
<10mA
200mA
<0.01mA
-
-
<2.0V
1KHZ
0.1ms/0.1ms
<15%(Sr)
<2.0%(Sr)
IP67
-25 °C - +70 °C
<10%(Sr)
YES
220mA
<10ms
RFI>3V/m / EFT>1KV / ESD>4KV (contact)
IEC 60947-5-2,Part 7.4.1 / IEC 60947-5-2,Part 7.4.2
POM

LCM1-0803N-ACU3	29	LCM2-0806N-ACU3
LCM1-0803N-BCU3	29	LCM2-0806N-BCU3
LCM1-0803P-ACU3	30	LCM2-0806P-ACU3
LCM1-0803P-BCU3	30	LCM2-0806P-BCU3

Approx.20 g

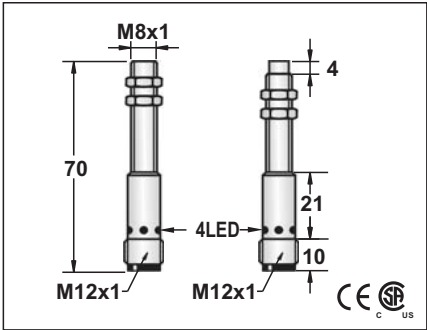
DC LONG SENSING DISTANCE PROXIMITY SWITCH CONNECTOR TYPE

M8、Q8

DC LONG SENSING DISTANCE PROXIMITY SWITCH CONNECTOR TYPE

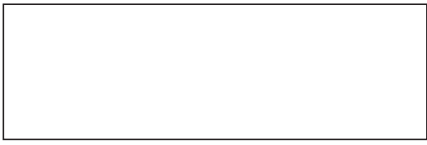
DC LONG SENSING DISTANCE PROXIMITY SWITCH CONNECTOR TYPE

M 8	
●	○
3 mm	6 mm
nickel plated brass	
●	



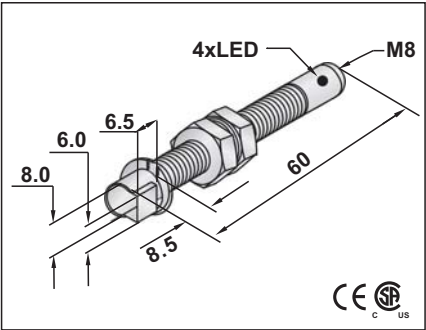
10-30VDC
<10%
<10mA
200mA
<0.01mA
-
-
<2.0V
1KHZ
0.1ms/0.1ms
<15%(Sr)
<2.0%(Sr)
IP67
-25 °C - +70 °C
<10%(Sr)
YES
220mA
<10ms
RFI>3V/m / EFT>1KV / ESD>4KV (contact)
IEC 60947-5-2,Part 7.4.1 / IEC 60947-5-2,Part 7.4.2
POM

LCM1-0803N-ARU4	33	LCM2-0806N-ARU4
LCM1-0803N-BRU4	34	LCM2-0806N-BRU4
LCM1-0803P-ARU4	35	LCM2-0806P-ARU4
LCM1-0803P-BRU4	36	LCM2-0806P-BRU4



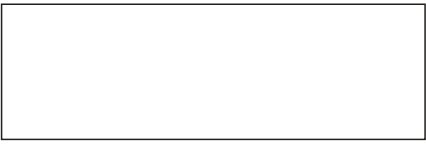
Approx.22 g

M 8	
●	○
3 mm	6 mm
nickel plated brass	
●	



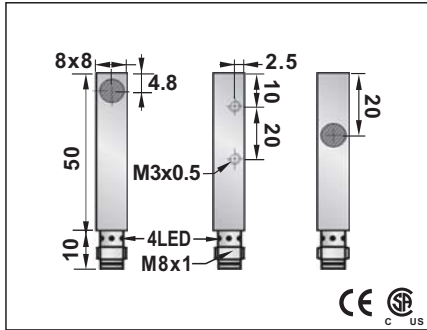
10-30VDC
<10%
<10mA
200mA
<0.01mA
-
-
<2.0V
1KHZ
0.1ms/0.1ms
<15%(Sr)
<2.0%(Sr)
IP67
-25 °C - +70 °C
<10%(Sr)
YES
220mA
<10ms
RFI>3V/m / EFT>1KV / ESD>4KV (contact)
IEC 60947-5-2,Part 7.4.1 / IEC 60947-5-2,Part 7.4.2
POM

LCM1-0803N-ACU3T	29
LCM1-0803N-BCU3T	29
LCM1-0803P-ACU3T	30
LCM1-0803P-BCU3T	30



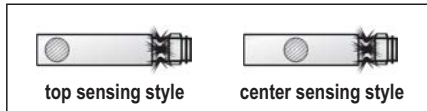
Approx.22 g

Q8	
●	○
3 mm	6 mm
die-cast	
●	



10-30VDC
<10%
<10mA
200mA
<0.01mA
-
-
<2.0V
1KHZ
0.1ms/0.1ms
<15%(Sr)
<2.0%(Sr)
IP67
-25 °C - +70 °C
<10%(Sr)
YES
220mA
<10ms
RFI>3V/m / EFT>1KV / ESD>4KV (contact)
IEC 60947-5-2,Part 7.4.1 / IEC 60947-5-2,Part 7.4.2
POM

LQM1-8803N-ACU3T	29	LQM1-8803N-ACU3M
LQM1-8803N-BCU3T	29	LQM1-8803N-BCU3M
LQM1-8803P-ACU3T	30	LQM1-8803P-ACU3M
LQM1-8803P-BCU3T	30	LQM1-8803P-BCU3M

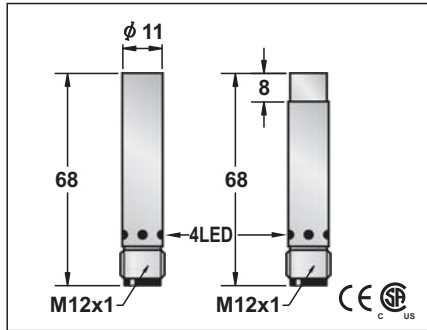


Approx.38 g

ϕ11、M12、Q12

DC LONG SENSING DISTANCE PROXIMITY SWITCH CONNECTOR TYPE

ϕ11	
●	○
6 mm	10 mm
nickel plated brass	
●	

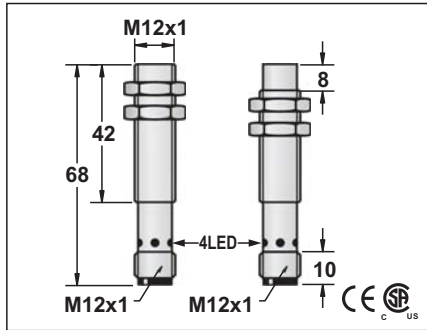


10-30VDC	
<10%	
<10mA	
200mA	
<0.01mA	
-	
-	
<2V	
1KHZ	500HZ
0.1ms/0.1ms	0.2ms/0.2ms
<15%(Sr)	
<2.0%(Sr)	
IP67	
-25 °C - +70 °C	
<10%(Sr)	
YES	
220mA	
<10ms	
RFI>3V/m / EFT>1KV / ESD>4KV (contact)	
IEC 60947-5-2,Part 7.4.1 / IEC 60947-5-2,Part 7.4.2	
POM	

LCM1-D1106N-ARU4	33	LCM2-D1110N-ARU4
LCM1-D1106N-BRU4	34	LCM2-D1110N-BRU4
LCM1-D1106P-ARU4	35	LCM2-D1110P-ARU4
LCM1-D1106P-BRU4	36	LCM2-D1110P-BRU4
<u>LCM1-D1106P-SRU4</u>	<u>38</u>	<u>LCM2-D1110P-SRU4</u>
LCM1-D1106N-SRU4	37	LCM2-D1110N-SRU4
LCM1-D1106C-ARU4	40	LCM2-D1110C-ARU4
LCM1-D1106C-BRU4	78	LCM2-D1110C-BRU4

Note: Coming Soon : Part numbers with underline	
approx.29g	

M 12	
●	○
6 mm	10 mm
nickel plated brass	
●	

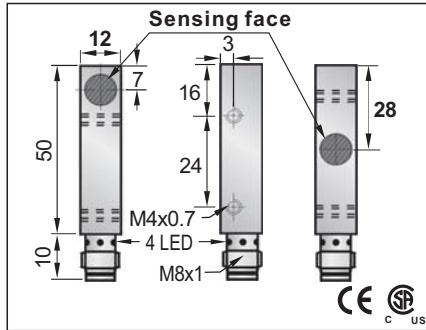


10-30VDC	
<10%	
<10mA	
200mA	
<0.01mA	
-	
-	
<2V	
1KHZ	500HZ
0.1ms/0.1ms	0.2ms/0.2ms
<15%(Sr)	
<2.0%(Sr)	
IP67	
-25 °C - +70 °C	
<10%(Sr)	
YES	
220mA	
<10ms	
RFI>3V/m / EFT>1KV / ESD>4KV (contact)	
IEC 60947-5-2,Part 7.4.1 / IEC 60947-5-2,Part 7.4.2	
PBT	

LCM1-1206N-ARU4	33	LCM2-1210N-ARU4
LCM1-1206N-BRU4	34	LCM2-1210N-BRU4
LCM1-1206P-ARU4	35	LCM2-1210P-ARU4
LCM1-1206P-BRU4	36	LCM2-1210P-BRU4
<u>LCM1-1206P-SRU4</u>	<u>38</u>	<u>LCM2-1210P-SRU4</u>
LCM1-1206N-SRU4	37	LCM2-1210N-SRU4
LCM1-1206C-ARU4	40	LCM2-1210C-ARU4
LCM1-1206C-BRU4	78	LCM2-1210C-BRU4

Please see Page 18 for details and specifications of DC 2-Wire models on this page.	
approx.31g	approx.30g

Q12	
●	○
6 mm	10 mm
die-cast	
●	



10-30VDC	
<10%	
<10mA	
200mA	
<0.01mA	
-	
-	
<2.0V	
1KHZ	500HZ
0.1ms/0.1ms	0.2ms/0.2ms
<15%(Sr)	
<2.0%(Sr)	
IP67	
-25 °C - +70 °C	
<10%(Sr)	
YES	
220mA	
<10ms	
RFI>3V/m / EFT>1KV / ESD>4KV (contact)	
IEC 60947-5-2,Part 7.4.1 / IEC 60947-5-2,Part 7.4.2	
PBT	

LQM1-1206N-ACU3T	29	LQM1-1206N-ACU3M
LQM1-1206N-BCU3T	29	LQM1-1206N-BCU3M
LQM1-1206P-ACU3T	30	LQM1-1206P-ACU3M
LQM1-1206P-BCU3T	30	LQM1-1206P-BCU3M
<u>LQM1-1206P-SCU4T</u>	<u>32</u>	<u>LQM1-1206P-SCU4M</u>
LQM1-1206N-SCU4T	31	LQM1-1206N-SCU4M
LQM1-1206C-ACU3T	39	LQM1-1206C-ACU3M
LQM1-1206C-BCU3T	77	LQM1-1206C-BCU3M

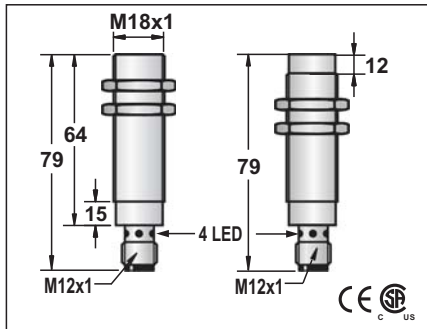
top sensing style	center sensing style
4 ϕ3X0.34	
Approx.75 g	

DC LONG SENSING DISTANCE PROXIMITY SWITCH CONNECTOR TYPE

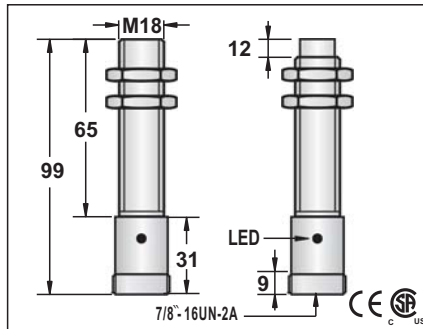
DC LONG SENSING DISTANCE PROXIMITY SWITCH CONNECTOR TYPE

DC LONG SENSING DISTANCE PROXIMITY SWITCH CONNECTOR TYPE

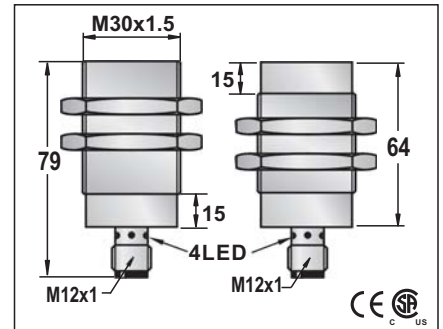
M 18	
●	○
12 mm	20 mm
nickel plated brass	
●	



M 18	
●	○
12 mm	20 mm
nickel plated brass	
●	



M 30	
●	○
22 mm	40 mm
nickel plated brass	
●	



10-30VDC or 10-60VDC	
<10%	
<10mA	
200mA	
<0.05mA	
-	
-	
<2V	
300HZ 0.5ms/0.5ms	100HZ 1ms/1ms
<15%(Sr)	
<2.0%(Sr)	
IP67	
-25 °C - +70 °C	
<10%(Sr)	
YES	
220mA	
<10ms	
RFI>3V/m / EFT>1KV / ESD>4KV (contact)	
IEC 60947-5-2, Part 7.4.1 / IEC 60947-5-2, Part 7.4.2	
PBT	

LCM1-1812N-ARU4	33	LCM2-1820N-ARU4
LCM1-1812N-BRU4	34	LCM2-1820N-BRU4
LCM1-1812P-ARU4	35	LCM2-1820P-ARU4
LCM1-1812P-BRU4	36	LCM2-1820P-BRU4
LCM1-1812P-SRU4	38	LCM2-1820P-SRU4
LCM1-1812N-SRU4	37	LCM2-1820N-SRU4
LCM1-1812C-ARU4	40	LCM2-1820C-ARU4
LCM1-1812C-BRU4	78	LCM2-1820C-BRU4
LCM1-1812NU-R	21	LCM2-1820NU-R

approx.66g	approx.70g
------------	------------

10-30VDC or 10-60VDC	
<10%	
<10mA	
200mA	
<0.05mA	
-	
-	
<2V	
300HZ 0.5ms/0.5ms	100HZ 1ms/1ms
<15%(Sr)	
<2.0%(Sr)	
IP67	
-25 °C - +70 °C	
<10%(Sr)	
YES	
220mA	
<10ms	
RFI>3V/m / EFT>1KV / ESD>4KV (contact)	
IEC 60947-5-2, Part 7.4.1 / IEC 60947-5-2, Part 7.4.2	
PBT	

LCM1-1812N-AZU4	41	LCM2-1820N-AZU4
LCM1-1812N-BZU4	42	LCM2-1820N-BZU4
LCM1-1812P-AZU4	43	LCM2-1820P-AZU4
LCM1-1812P-BZU4	44	LCM2-1820P-BZU4
LCM1-1812P-SZU4	41	LCM2-1820P-SZU4
LCM1-1812N-SZU4	42	LCM2-1820N-SZU4
LCM1-1812C-AZU4	43	LCM2-1820C-AZU4
LCM1-1812C-BZU4	44	LCM2-1820C-BZU4
LCM1-1812NU-Z	21	LCM2-1820NU-Z

approx.66g	approx.70g
------------	------------

Please see Page 18 for details and specifications of DC 2-Wire models on this page.

10-30VDC or 10-60VDC	
<10%	
<10mA	
200mA	
<0.05mA	
-	
-	
<2V	
300HZ 0.5ms/0.5ms	100HZ 1ms/1ms
<15%(Sr)	
<2.0%(Sr)	
IP67	
-25 °C - +70 °C	
<10%(Sr)	
YES	
220mA	
<10ms	
RFI>3V/m / EFT>1KV / ESD>4KV (contact)	
IEC 60947-5-2, Part 7.4.1 / IEC 60947-5-2, Part 7.4.2	
PBT	

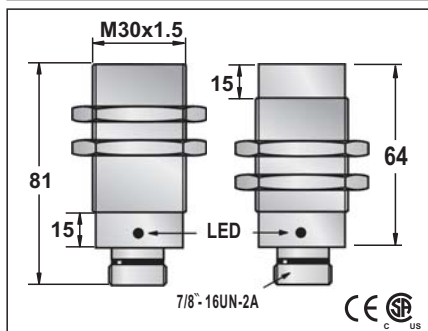
LCM1-3022N-ARU4	33	LCM2-3040N-ARU4
LCM1-3022N-BRU4	34	LCM2-3040N-BRU4
LCM1-3022P-ARU4	35	LCM2-3040P-ARU4
LCM1-3022P-BRU4	36	LCM2-3040P-BRU4
LCM1-3022P-SRU4	38	LCM2-3040P-SRU4
LCM1-3022N-SRU4	37	LCM2-3040N-SRU4
LCM1-3022C-ARU4	40	LCM2-3040C-ARU4
LCM1-3022C-BRU4	78	LCM2-3040C-BRU4
LCM1-3022NU-R	21	LCM2-3040NU-R

approx.147g	approx.170g
-------------	-------------

Note: Coming Soon : Part numbers with underline

DC LONG SENSING DISTANCE PROXIMITY SWITCH CONNECTOR TYPE

M 30	
●	○
22 mm	40 mm
nickel plated brass	
●	



10-30VDC or 10-60VDC	
<10%	
<10mA	
200mA	
<0.05mA	
-	
-	
<2V	
300HZ	100HZ
0.5ms/0.5ms	1ms/1ms
<15%(Sr)	
<2.0%(Sr)	
IP67	
-25°C - +70°C	
<10%(Sr)	
YES	
220mA	
<10ms	
RFI>3V/m / EFT>1KV / ESD>4KV (contact)	
IEC 60947-5-2,Part 7.4.1 / IEC 60947-5-2,Part 7.4.2	
PBT	

LCM1-3022N-AZU4	41	LCM2-3040N-AZU4
LCM1-3022N-BZU4	42	LCM2-3040N-BZU4
LCM1-3022P-AZU4	43	LCM2-3040P-AZU4
LCM1-3022P-BZU4	44	LCM2-3040P-BZU4
LCM1-3022P-SZU4	41	LCM2-3040P-SZU4
LCM1-3022N-SZU4	42	LCM2-3040N-SZU4
LCM1-3022C-AZU4	43	LCM2-3040C-AZU4
LCM1-3022C-BZU4	44	LCM2-3040C-BZU4
LCM1-3022NU-Z	21	LCM2-3040NU-Z

Please see Page 18 for details and specifications of DC 2-Wire models on this page.

approx.187g	approx.179g
-------------	-------------

Note:
Coming Soon : Part numbers with underline

DC LONG SENSING DISTANCE PROXIMITY SWITCH CONNECTOR TYPE