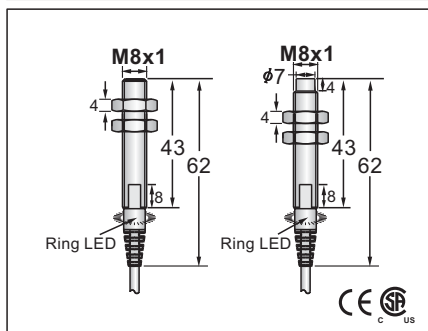


DC HIGH TORQUE, EXTENDED SENSING RANGE (LONG BODY)

DC HIGH TORQUE, EXTENDED SENSING RANGE (LONG BODY)

M8	
●	○
2.0	4.0
Nickel plated brass	
●	



10-30 VDC	
10% max.	
8x8x1 mm	12x12x1 mm
2,000Hz	1,000Hz
10mA max.	
200mA max.	
—	
2V max.	
≤ 15% of sensing distance	
IP67	
-25°C to 70°C	
Operating: 35% to 95%	
<10%	
YES	
YES	
RFI>3V/m / EFT>1KV / ESD>4KV (contact)	
IEC 60947-5-2, Part 7.4.1 / IEC 60947-5-2, Part 7.4.2	
PBT	

OCN1-0802N-A3L2	1	<u>OCN2-0804N-A3L2</u>
OCN1-0802N-B3L2	2	<u>OCN2-0804N-B3L2</u>
OCN1-0802P-A3L2	3	<u>OCN2-0804P-A3L2</u>
OCN1-0802P-B3L2	4	<u>OCN2-0804P-B3L2</u>

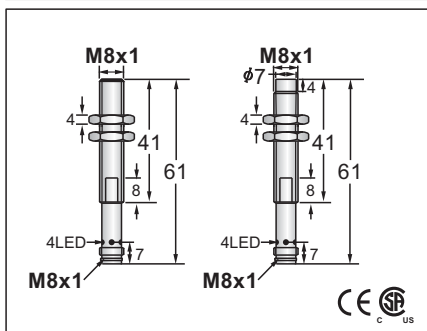
Pigtail types

Note:
The standard cable length is 300mm. Any other length can be made by request.
The relevant part number is with suffix "P8, P12", for example:
OCN1-0802N-A3L0.3/P8
M8 pigtail mode
OCN1-0802N-A3L0.3/P12
M12 pigtail mode

3 φ 3x0.15
Approx.65 g

Note:
Coming Soon : Part numbers with underline

M8	
●	○
2.0	4.0
Nickel plated brass	
●	



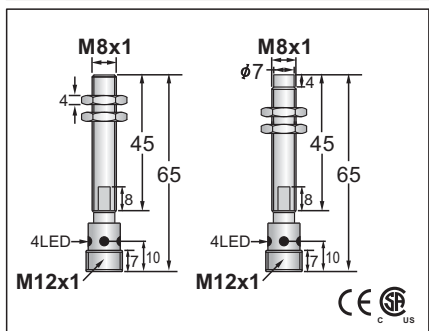
10-30 VDC	
10% max.	
8x8x1 mm	12x12x1 mm
2,000Hz	1,000Hz
10mA max.	
200mA max.	
—	
2V max.	
≤ 15% of sensing distance	
IP67	
-25°C to 70°C	
Operating: 35% to 95%	
<10%	
YES	
YES	
RFI>3V/m / EFT>1KV / ESD>4KV (contact)	
IEC 60947-5-2, Part 7.4.1 / IEC 60947-5-2, Part 7.4.2	
PBT	

OCN1-0802N-ACL3	29	<u>OCN2-0804N-ACL3</u>
OCN1-0802N-BCL3	29	<u>OCN2-0804N-BCL3</u>
OCN1-0802P-ACL3	30	<u>OCN2-0804P-ACL3</u>
OCN1-0802P-BCL3	30	<u>OCN2-0804P-BCL3</u>



Approx.15 g

M8	
●	○
2.0	4.0
Nickel plated brass	
●	



10-30 VDC	
10% max.	
8x8x1 mm	12x12x1 mm
2,000Hz	1,000Hz
10mA max.	
200mA max.	
—	
2V max.	
≤ 15% of sensing distance	
IP67	
-25°C to 70°C	
Operating: 35% to 95%	
<10%	
YES	
YES	
RFI>3V/m / EFT>1KV / ESD>4KV (contact)	
IEC 60947-5-2, Part 7.4.1 / IEC 60947-5-2, Part 7.4.2	
PBT	

OCN1-0802N-ARL4	33	<u>OCN2-0804N-ARL4</u>
OCN1-0802N-BRL4	34	<u>OCN2-0804N-BRL4</u>
OCN1-0802P-ARL4	35	<u>OCN2-0804P-ARL4</u>
OCN1-0802P-BRL4	36	<u>OCN2-0804P-BRL4</u>



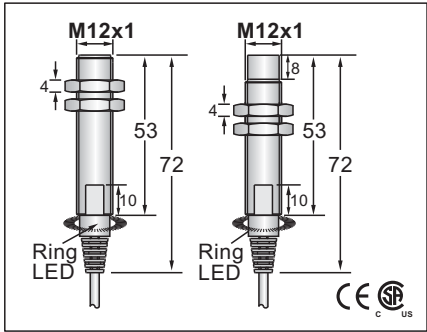
Approx.20 g

M12、M18

DC HIGH TORQUE, EXTENDED SENSING RANGE (LONG BODY)

DC HIGH TORQUE, EXTENDED SENSING RANGE (LONG BODY)

M12	
●	○
4.0	8.0
Nickel plated brass	
●	



10-30 VDC	
10% max.	
12x12x1 mm	24x24x1 mm
1,000Hz	500Hz
10mA max.	
200mA max.	
—	
2V max.	
≤ 15% of sensing distance	
IP67	
-25°C to 70°C	
Operating: 35% to 95%	
<10%	
YES	
YES	
RFI>3V/m / EFT>1KV / ESD>4KV (contact)	
IEC 60947-5-2,Part 7.4.1 / IEC 60947-5-2,Part 7.4.2	
PBT	

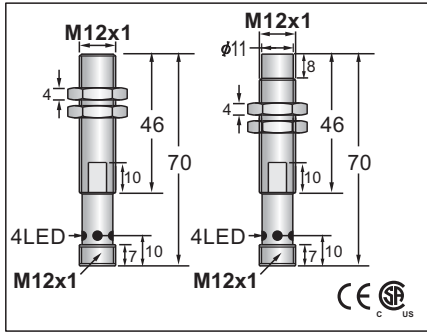
OCN1-1204N-A3L2	1	OCN2-1208N-A3L2
OCN1-1204N-B3L2	2	OCN2-1208N-B3L2
OCN1-1204P-A3L2	3	OCN2-1208P-A3L2
OCN1-1204P-B3L2	4	OCN2-1208P-B3L2

Pigtail types

Note:
The standard cable length is 300mm.
Any other length can be made by request.
The relevant part number is with suffix "P8, P12", for example:
OCN1-1204N-A3L0.3/P8
M8 pigtail mode
OCN1-1204N-A3L0.3/P12
M12 pigtail mode

4 φ 3x0.15	
Approx.85 g	

M12	
●	○
4.0	8.0
Nickel plated brass	
●	



10-30 VDC	
10% max.	
12x12x1 mm	24x24x1 mm
1,000Hz	500Hz
10mA max.	
200mA max.	
—	
2V max.	
≤ 15% of sensing distance	
IP67	
-25°C to 70°C	
Operating: 35% to 95%	
<10%	
YES	
YES	
RFI>3V/m / EFT>1KV / ESD>4KV (contact)	
IEC 60947-5-2,Part 7.4.1 / IEC 60947-5-2,Part 7.4.2	
PBT	

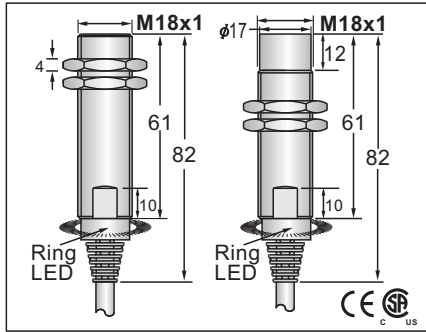
OCN1-1204N-ARL4	33	OCN2-1208N-ARL4
OCN1-1204N-BRL4	34	OCN2-1208N-BRL4
OCN1-1204P-ARL4	35	OCN2-1208P-ARL4
OCN1-1204P-BRL4	36	OCN2-1208P-BRL4

Pigtail types

Note:
The standard cable length is 300mm.
Any other length can be made by request.
The relevant part number is with suffix "P12", for example:
OCN1-1808N-A3L0.3/P12
M12 pigtail mode

5.0 φ 44x0.1	
Approx.35 g	

M18	
●	○
8.0	16.0
Nickel plated brass	
●	



10-30 VDC	
10% max.	
24x24x1 mm	48x48x1 mm
500Hz	150Hz
10mA max.	
200mA max.	
—	
2V max.	
≤ 15% of sensing distance	
IP67	
-25°C to 70°C	
Operating: 35% to 95%	
<10%	
YES	
YES	
RFI>3V/m / EFT>1KV / ESD>4KV (contact)	
IEC 60947-5-2,Part 7.4.1 / IEC 60947-5-2,Part 7.4.2	
PBT	

OCN1-1808N-A3L2	1	OCN2-1816N-A3L2
OCN1-1808N-B3L2	2	OCN2-1816N-B3L2
OCN1-1808P-A3L2	3	OCN2-1816P-A3L2
OCN1-1808P-B3L2	4	OCN2-1816P-B3L2

Pigtail types

Note:
The standard cable length is 300mm.
Any other length can be made by request.
The relevant part number is with suffix "P12", for example:
OCN1-1808N-A3L0.3/P12
M12 pigtail mode

5.0 φ 44x0.1	
Approx.160 g	

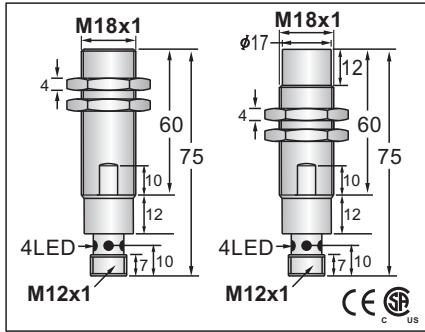
Note:
Coming Soon : Part numbers with underline

M18、M30

DC HIGH TORQUE, EXTENDED SENSING RANGE (LONG BODY)

DC HIGH TORQUE, EXTENDED SENSING RANGE (LONG BODY)

M18
● ○
8.0 16.0
Nickel plated brass



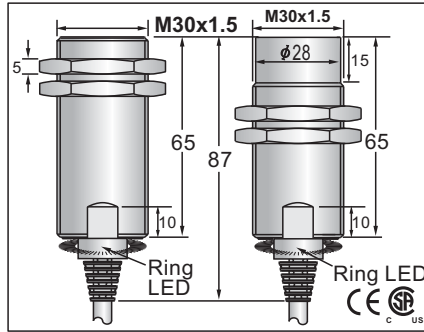
10-30 VDC	
10% max.	
24x24x1 mm	48x48x1 mm
500Hz	150Hz
10mA max.	
200mA max.	
2V max.	
≤ 15% of sensing distance	
IP67	
-25°C to 70°C	
Operating: 35% to 95%	
<10%	
YES	
YES	
RFI>3V/m / EFT>1KV / ESD>4KV (contact)	
IEC 60947-5-2,Part 7.4.1 / IEC 60947-5-2,Part 7.4.2	
PBT	

<u>OCN1-1808N-ARL4</u>	<u>33</u>	<u>OCN2-1816N-ARL4</u>
<u>OCN1-1808N-BRL4</u>	<u>34</u>	<u>OCN2-1816N-BRL4</u>
<u>OCN1-1808P-ARL4</u>	<u>35</u>	<u>OCN2-1816P-ARL4</u>
<u>OCN1-1808P-BRL4</u>	<u>36</u>	<u>OCN2-1816P-BRL4</u>



Approx.70 g

M30
● ○
16.0 25.0
Nickel plated brass



10-30 VDC	
10% max.	
48x48x1 mm	90x90x1 mm
150Hz	100Hz
10mA max.	
200mA max.	
2V max.	
≤ 15% of sensing distance	
IP67	
-25°C to 70°C	
Operating: 35% to 95%	
<10%	
YES	
YES	
RFI>3V/m / EFT>1KV / ESD>4KV (contact)	
IEC 60947-5-2,Part 7.4.1 / IEC 60947-5-2,Part 7.4.2	
PBT	

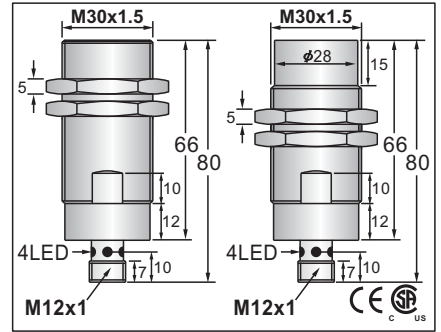
<u>OCN1-3016N-A3L2</u>	<u>1</u>	<u>OCN2-3025N-A3L2</u>
<u>OCN1-3016N-B3L2</u>	<u>2</u>	<u>OCN2-3025N-B3L2</u>
<u>OCN1-3016P-A3L2</u>	<u>3</u>	<u>OCN2-3025P-A3L2</u>
<u>OCN1-3016P-B3L2</u>	<u>4</u>	<u>OCN2-3025P-B3L2</u>

Pigtail types

Note:
The standard cable length is 300mm.
Any other length can be made by request.
The relevant part number is with suffix "P12", for example:
OCN1-3015N-A3L0.3/P12
M12 pigtail mode

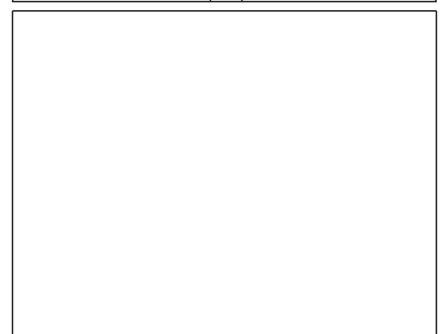
5.8φ3x0.5 Approx.370 g

M30
● ○
16.0 25.0
Nickel plated brass



10-30 VDC	
10% max.	
48x48x1 mm	90x90x1 mm
150Hz	100Hz
10mA max.	
200mA max.	
2V max.	
≤ 15% of sensing distance	
IP67	
-25°C to 70°C	
Operating: 35% to 95%	
<10%	
YES	
YES	
RFI>3V/m / EFT>1KV / ESD>4KV (contact)	
IEC 60947-5-2,Part 7.4.1 / IEC 60947-5-2,Part 7.4.2	
PBT	

<u>OCN1-3016N-ARL4</u>	<u>33</u>	<u>OCN2-3025N-ARL4</u>
<u>OCN1-3016N-BRL4</u>	<u>34</u>	<u>OCN2-3025N-BRL4</u>
<u>OCN1-3016P-ARL4</u>	<u>35</u>	<u>OCN2-3025P-ARL4</u>
<u>OCN1-3016P-BRL4</u>	<u>36</u>	<u>OCN2-3025P-BRL4</u>



Approx.260 g

Note:
Coming Soon : Part numbers with underline