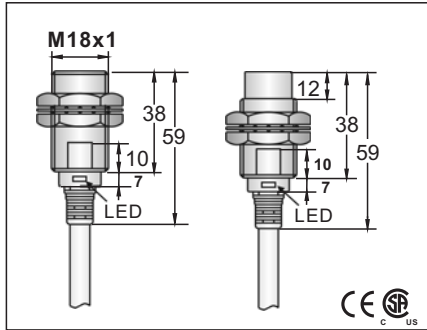


## DC METAL FACE INDUCTIVE PROXIMITY SWITCH (Teflon Coating)

M 18	
●	○
5 mm	8 mm
Stainless steel	
●	

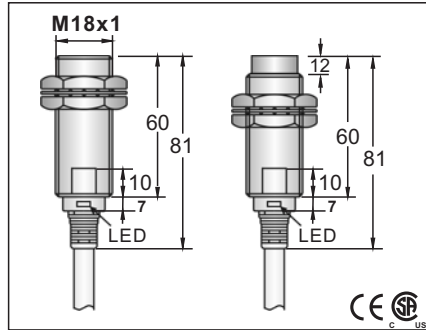


10-30VDC or 10-55VDC	
<10%	
<10mA	
200mA	
<0.01mA	
-	
<1.5V	
1KHZ	500HZ
0.1ms/0.1ms	0.2ms/0.2ms
<15%(Sr)	
<1.0%(Sr)	
IP67	
-25 °C - +70 °C	
<10%(Sr)	
YES	
220mA	
160	
RFI>3V/m / EFT>1KV / ESD>4KV (contact)	
IEC 60947-5-2,Part 7.4.1 / IEC 60947-5-2,Part 7.4.2	
Stainless steel	

FCS1-1805N-A3S2-W	1	FCS2-1808N-A3S2-W	
FCS1-1805N-B3S2-W	2	FCS2-1808N-B3S2-W	
FCS1-1805P-A3S2-W	3	FCS2-1808P-A3S2-W	
FCS1-1805P-B3S2-W	4	FCS2-1808P-B3S2-W	
FCS1-1805P-S4S2-W	6	FCS2-1808P-S4S2-W	
FCS1-1805N-S4S2-W	5	FCS2-1808N-S4S2-W	
FCS1-1805C-A2S2-W	7	FCS2-1808C-A2S2-W	
FCS1-1805C-B2S2-W	8	FCS2-1808C-B2S2-W	
HCS1-1805N-A3S2-W	1	HCS2-1808N-A3S2-W	
HCS1-1805N-B3S2-W	2	HCS2-1808N-B3S2-W	
HCS1-1805P-A3S2-W	3	HCS2-1808P-A3S2-W	
HCS1-1805P-B3S2-W	4	HCS2-1808P-B3S2-W	

5.0 φ44x0.1	
Approx.132 g	Approx.134 g

M18	
●	○
5 mm	8 mm
Stainless steel	
●	



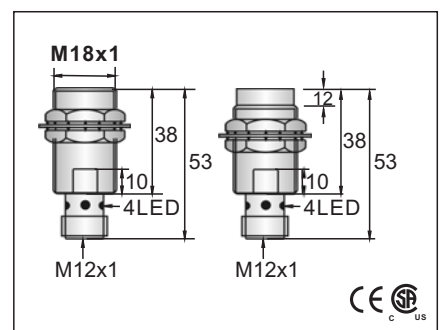
10-30VDC or 10-55VDC	
<10%	
<10mA	
200mA	
<0.01mA	
-	
<1.5V or <1.0V or <2.0V	
1KHZ	500HZ
0.2ms/0.2ms	0.5ms/0.5ms
<15%(Sr)	
<1.0%(Sr)	
IP67	
-25 °C - +70 °C	
<10%(Sr)	
YES	
220mA	
160	
RFI>3V/m / EFT>1KV / ESD>4KV (contact)	
IEC 60947-5-2,Part 7.4.1 / IEC 60947-5-2,Part 7.4.2	
Stainless steel	

FCS1-1805N-A3U2-W	1	FCS2-1808N-A3U2-W	
FCS1-1805N-B3U2-W	2	FCS2-1808N-B3U2-W	
FCS1-1805P-A3U2-W	3	FCS2-1808P-A3U2-W	
FCS1-1805P-B3U2-W	4	FCS2-1808P-B3U2-W	
FCS1-1805P-S4U2-W	6	FCS2-1808P-S4U2-W	
FCS1-1805N-S4U2-W	5	FCS2-1808N-S4U2-W	
FCS1-1805C-A2U2-W	7	FCS2-1808C-A2U2-W	
FCS1-1805C-B2U2-W	8	FCS2-1808C-B2U2-W	
HCS1-1805N-A3U2-W	1	HCS2-1808N-A3U2-W	
HCS1-1805N-B3U2-W	2	HCS2-1808N-B3U2-W	
HCS1-1805P-A3U2-W	3	HCS2-1808P-A3U2-W	
HCS1-1805P-B3U2-W	4	HCS2-1808P-B3U2-W	

5.0 φ44x0.1	
Approx.153 g	Approx.144 g

Please see Page 18 for details and specifications of DC 2-Wire models on this page.

M 18	
●	○
5 mm	8 mm
Stainless steel	
●	



10-30VDC or 10-55VDC	
<10%	
<10mA	
200mA	
<0.01mA	
-	
<1.5V or <1.0V or <2.0V	
1KHZ	500HZ
0.2ms/0.2ms	0.5ms/0.5ms
<15%(Sr)	
<1.0%(Sr)	
IP67	
-25 °C - +70 °C	
<10%(Sr)	
YES	
220mA	
160	
RFI>3V/m / EFT>1KV / ESD>4KV (contact)	
IEC 60947-5-2,Part 7.4.1 / IEC 60947-5-2,Part 7.4.2	
Stainless steel	

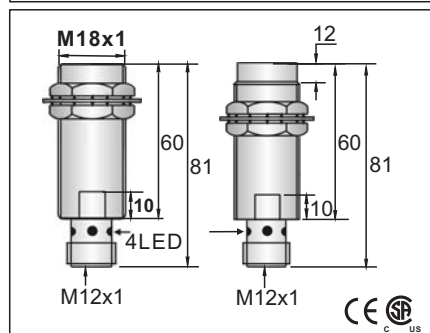
FCS1-1805N-ARS4-W	33	FCS2-1808N-ARS4-W	
FCS1-1805N-BRS4-W	34	FCS2-1808N-BRS4-W	
FCS1-1805P-ARS4-W	35	FCS2-1808P-ARS4-W	
FCS1-1805P-BRS4-W	36	FCS2-1808P-BRS4-W	
FCS1-1805P-SRS4-W	38	FCS2-1808P-SRS4-W	
FCS1-1805N-SRS4-W	37	FCS2-1808N-SRS4-W	
FCS1-1805C-ARS4-W	40	FCS2-1808C-ARS4-W	
FCS1-1805C-BRS4-W	78	FCS2-1808C-BRS4-W	
HCS1-1805N-ARS4-W	33	HCS2-1808N-ARS4-W	
HCS1-1805N-BRS4-W	34	HCS2-1808N-BRS4-W	
HCS1-1805P-ARS4-W	35	HCS2-1808P-ARS4-W	
HCS1-1805P-BRS4-W	36	HCS2-1808P-BRS4-W	

5.0 φ44x0.1	
Approx.50 g	Approx.50 g

Note:  
Coming Soon : Part numbers with underline

## DC METAL FACE INDUCTIVE PROXIMITY SWITCH (Teflon Coating)

M 18	
●	○
5 mm	8 mm
Stainless steel	
●	



10-30VDC or 10-55VDC	
<10%	
<10mA	
200mA	
<0.01mA	
-	
-	
<1.5V or <1.0V or <2.0V	
1KHZ	500HZ
0.2ms/0.2ms	0.5ms/0.5ms
<15%(Sr)	
<1.0%(Sr)	
IP67	
-25 °C - +70 °C	
<10%(Sr)	
YES	
220mA	
160	

RFI>3V/m / EFT>1KV / ESD>4KV (contact)	
IEC 60947-5-2,Part 7.4.1 / IEC 60947-5-2,Part 7.4.2	
Stainless steel	
FCS1-1805N-ARU4-W	33
FCS1-1805N-BRU4-W	34
FCS1-1805P-ARU4-W	35
FCS1-1805P-BRU4-W	36
FCS1-1805P-SRU4-W	38
FCS1-1805N-SRU4-W	37
FCS1-1805C-ARU4-W	40
FCS1-1805C-BRU4-W	78
HCS1-1805N-ARU4-W	33
HCS1-1805N-BRU4-W	34
HCS1-1805P-ARU4-W	35
HCS1-1805P-BRU4-W	36

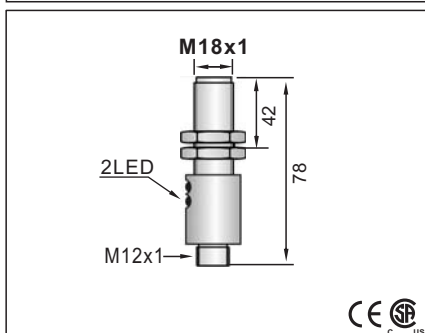
RFI>3V/m / EFT>1KV / ESD>4KV (contact)	
IEC 60947-5-2,Part 7.4.1 / IEC 60947-5-2,Part 7.4.2	
Stainless steel	

FCS1-1805N-ARU4/2-W	33
FCS1-1805N-BRU4/2-W	34
FCS1-1805P-ARU4/2-W	35
FCS1-1805P-BRU4/2-W	36
FCS1-1805P-SRU4/2-W	38
FCS1-1805N-SRU4/2-W	37
FCS1-1805C-ARU4/2-W	40
FCS1-1805C-BRU4/2-W	78
HCS1-1805N-ARU4/2-W	33
HCS1-1805N-BRU4/2-W	34
HCS1-1805P-ARU4/2-W	35
HCS1-1805P-BRU4/2-W	36

Please see Page 18 for details and specifications of DC 2-Wire models on this page.

Approx.94 g	Approx.91 g
-------------	-------------

M 18	
●	○
5 mm	8 mm
Stainless steel	
●	



10-30VDC or 10-55VDC	
<10%	
<10mA	
200mA	
<0.01mA	
-	
-	
<1.5V	
1KHZ	
0.2ms/0.2ms	
<15%(Sr)	
<1.0%(Sr)	
IP67	
-25 °C - +70 °C	
<10%(Sr)	
YES	
220mA	
160	

RFI>3V/m / EFT>1KV / ESD>4KV (contact)	
IEC 60947-5-2,Part 7.4.1 / IEC 60947-5-2,Part 7.4.2	
Stainless steel	
FCS1-1805N-ARU4/2-W	33
FCS1-1805N-BRU4/2-W	34
FCS1-1805P-ARU4/2-W	35
FCS1-1805P-BRU4/2-W	36
FCS1-1805P-SRU4/2-W	38
FCS1-1805N-SRU4/2-W	37
FCS1-1805C-ARU4/2-W	40
FCS1-1805C-BRU4/2-W	78
HCS1-1805N-ARU4/2-W	33
HCS1-1805N-BRU4/2-W	34
HCS1-1805P-ARU4/2-W	35
HCS1-1805P-BRU4/2-W	36

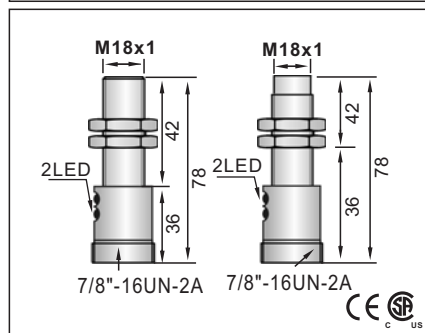
RFI>3V/m / EFT>1KV / ESD>4KV (contact)	
IEC 60947-5-2,Part 7.4.1 / IEC 60947-5-2,Part 7.4.2	
Stainless steel	

FCS1-1805N-AZU4/2-W	41
FCS1-1805N-BZU4/2-W	42
FCS1-1805P-AZU4/2-W	43
FCS1-1805P-BZU4/2-W	44
FCS1-1805P-SZU4/2-W	46
FCS1-1805N-SZU4/2-W	45
FCS1-1805C-AZU4/2-W	47
FCS1-1805C-BZU4/2-W	83
HCS1-1805N-AZU4/2-W	41
HCS1-1805N-BZU4/2-W	42
HCS1-1805P-AZU4/2-W	43
HCS1-1805P-BZU4/2-W	44

Please see Page 18 for details and specifications of DC 2-Wire models on this page.

Approx.94 g	Approx.91 g
-------------	-------------

M 18	
●	○
5 mm	8 mm
Stainless steel	
●	



10-30VDC or 10-55VDC	
<10%	
<10mA	
200mA	
<0.01mA	
-	
-	
<1.5V	
1kHZ	500HZ
0.2ms/0.2ms	0.5ms/0.5ms
<15%(Sr)	
<1.0%(Sr)	
IP67	
-25 °C - +70 °C	
<10%(Sr)	
YES	
220mA	
160	

RFI>3V/m / EFT>1KV / ESD>4KV (contact)	
IEC 60947-5-2,Part 7.4.1 / IEC 60947-5-2,Part 7.4.2	
Stainless steel	
FCS1-1805N-AZU4/2-W	41
FCS1-1805N-BZU4/2-W	42
FCS1-1805P-AZU4/2-W	43
FCS1-1805P-BZU4/2-W	44
FCS1-1805P-SZU4/2-W	46
FCS1-1805N-SZU4/2-W	45
FCS1-1805C-AZU4/2-W	47
FCS1-1805C-BZU4/2-W	83
HCS1-1805N-AZU4/2-W	41
HCS1-1805N-BZU4/2-W	42
HCS1-1805P-AZU4/2-W	43
HCS1-1805P-BZU4/2-W	44

RFI>3V/m / EFT>1KV / ESD>4KV (contact)	
IEC 60947-5-2,Part 7.4.1 / IEC 60947-5-2,Part 7.4.2	
Stainless steel	

FCS1-1805N-AZU4/2-W	41
FCS1-1805N-BZU4/2-W	42
FCS1-1805P-AZU4/2-W	43
FCS1-1805P-BZU4/2-W	44
FCS1-1805P-SZU4/2-W	46
FCS1-1805N-SZU4/2-W	45
FCS1-1805C-AZU4/2-W	47
FCS1-1805C-BZU4/2-W	83
HCS1-1805N-AZU4/2-W	41
HCS1-1805N-BZU4/2-W	42
HCS1-1805P-AZU4/2-W	43
HCS1-1805P-BZU4/2-W	44

Please see Page 18 for details and specifications of DC 2-Wire models on this page.

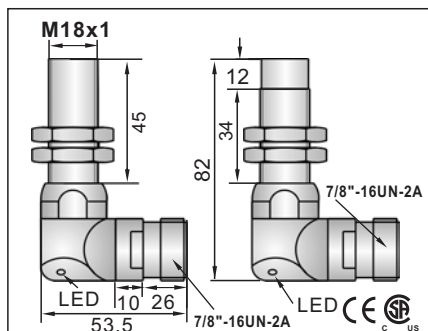
Approx.94 g	Approx.91 g
-------------	-------------

DC METAL FACE INDUCTIVE PROXIMITY SWITCH

Note:  
Coming Soon : Part numbers with underline

## DC METAL FACE INDUCTIVE PROXIMITY SWITCH (Teflon Coating)

M 18	
●	○
5 mm	8 mm
Stainless steel	
●	

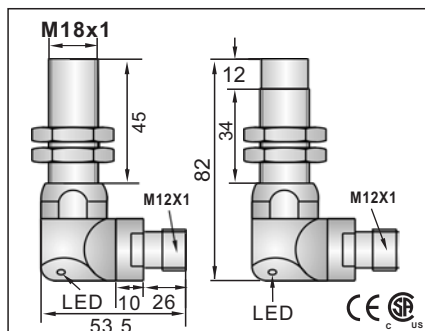


10-30VDC or 10-55VDC	
<10%	
<10mA	
200mA	
<0.01mA	
-	
<1.5V	
1KHZ	500HZ
0.2ms/0.2ms	0.5ms/0.5ms
<15%(Sr)	
<1.0%(Sr)	
IP67	
-25 °C - +70 °C	
<10%(Sr)	
YES	
220mA	
160MT	
RFI>10V/m / EFT>1KV / ESD>8KV (contact)	
IEC 60947-5-2,Part 7.4.1 / IEC 60947-5-2,Part 7.4.2	
Stainless steel	

FCS1-1805N-AZU4Y-W	41	FCS2-1808N-AZU4Y-W	
FCS1-1805N-BZU4Y-W	42	FCS2-1808N-BZU4Y-W	
FCS1-1805P-AZU4Y-W	43	FCS2-1808P-AZU4Y-W	
FCS1-1805P-BZU4Y-W	44	FCS2-1808P-BZU4Y-W	
FCS1-1805P-SZU4Y-W	46	FCS2-1808P-SZU4Y-W	
FCS1-1805N-SZU4Y-W	45	FCS2-1808N-SZU4Y-W	
FCS1-1805C-AZU4Y-W	47	FCS2-1808C-AZU4Y-W	
FCS1-1805C-BZU4Y-W	79	FCS2-1808C-BZU4Y-W	
HCS1-1805N-AZU4Y-W	41	HCS2-1808N-AZU4Y-W	
HCS1-1805N-BZU4Y-W	42	HCS2-1808N-BZU4Y-W	
HCS1-1805P-AZU4Y-W	43	HCS2-1808P-AZU4Y-W	
HCS1-1805P-BZU4Y-W	44	HCS2-1808P-BZU4Y-W	

Approx.251 g	Approx.283 g
--------------	--------------

M18	
●	○
5 mm	8 mm
Stainless steel	
●	



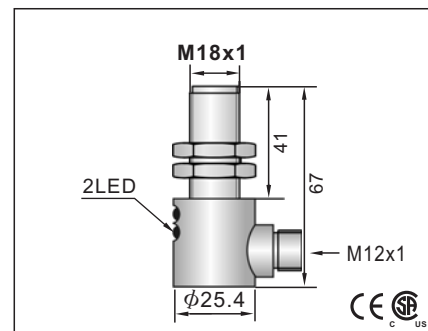
10-30VDC or 10-55VDC	
<10%	
<10mA	
200mA	
<0.01mA	
-	
<1.5V	
1KHZ	500HZ
0.2ms/0.2ms	0.5ms/0.5ms
<15%(Sr)	
<1.0%(Sr)	
IP67	
-25 °C - +70 °C	
<10%(Sr)	
YES	
220mA	
160MT	
RFI>10V/m / EFT>1KV / ESD>8KV (contact)	
IEC 60947-5-2,Part 7.4.1 / IEC 60947-5-2,Part 7.4.2	
Stainless steel	

FCS1-1805N-ARU4Y-W	33	FCS2-1808N-ARU4Y-W	
FCS1-1805N-BRU4Y-W	34	FCS2-1808N-BRU4Y-W	
FCS1-1805P-ARU4Y-W	35	FCS2-1808P-ARU4Y-W	
FCS1-1805P-BRU4Y-W	36	FCS2-1808P-BRU4Y-W	
FCS1-1805P-SRU4Y-W	38	FCS2-1808P-SRU4Y-W	
FCS1-1805N-SRU4Y-W	37	FCS2-1808N-SRU4Y-W	
FCS1-1805C-ARU4Y-W	40	FCS2-1808C-ARU4Y-W	
FCS1-1805C-BRU4Y-W	78	FCS2-1808C-BRU4Y-W	
HCS1-1805N-ARU4Y-W	33	HCS2-1808N-ARU4Y-W	
HCS1-1805N-BRU4Y-W	34	HCS2-1808N-BRU4Y-W	
HCS1-1805P-ARU4Y-W	35	HCS2-1808P-ARU4Y-W	
HCS1-1805P-BRU4Y-W	36	HCS2-1808P-BRU4Y-W	

Approx.251 g	Approx.283 g
--------------	--------------

Please see Page 18 for details and specifications of DC 2-Wire models on this page.

M 18	
●	
5 mm	
Stainless steel	
●	



10-30VDC or 10-55VDC	
<10%	
<10mA	
200mA	
<0.01mA	
-	
<1.5V	
1KHZ	500HZ
0.2ms/0.2ms	0.5ms/0.5ms
<15%(Sr)	
<1.0%(Sr)	
IP67	
-25 °C - +70 °C	
<10%(Sr)	
YES	
220mA	
160MT	
RFI>10V/m / EFT>1KV / ESD>8KV (contact)	
IEC 60947-5-2,Part 7.4.1 / IEC 60947-5-2,Part 7.4.2	
Stainless steel	

FCS1-1805N-ARU4Y/2-W	33
FCS1-1805N-BRU4Y/2-W	34
FCS1-1805P-ARU4Y/2-W	35
FCS1-1805P-BRU4Y/2-W	36
FCS1-1805P-SRU4Y/2-W	38
FCS1-1805N-SRU4Y/2-W	37
FCS1-1805C-ARU4Y/2-W	40
FCS1-1805C-BRU4Y/2-W	78
HCS1-1805N-ARU4Y/2-W	33
HCS1-1805N-BRU4Y/2-W	34
HCS1-1805P-ARU4Y/2-W	35
HCS1-1805P-BRU4Y/2-W	36

Approx.94 g
-------------

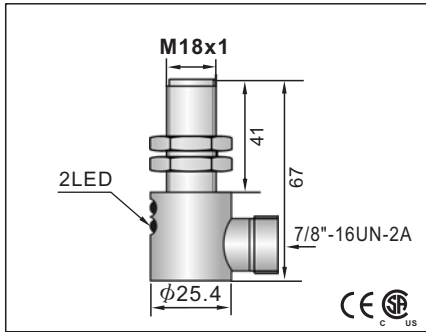
Note:

Coming Soon : Part numbers with underline

# M18、M30

## DC METAL FACE INDUCTIVE PROXIMITY SWITCH (Teflon Coating)

M 18
●
5 mm
Stainless steel
●

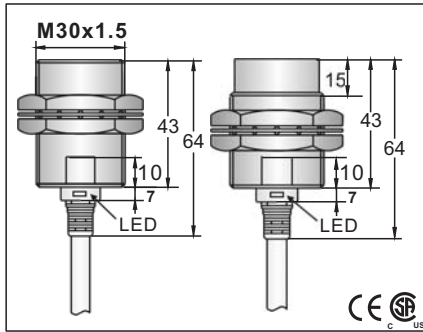


10-30VDC or 10-55VDC
<10%
<10mA
200mA
<0.01mA
-
<1.5V
1KHZ
0.2ms/0.2ms
<15%(Sr)
<1.0%(Sr)
IP67
-25 °C - +70 °C
<10%(Sr)
YES
220mA
160MT
RFI>10V/m / EFT>1KV / ESD>8KV (contact)
IEC 60947-5-2,Part 7.4.1 / IEC 60947-5-2,Part 7.4.2
Stainless steel

<u>FCS1-1805N-AZU4Y/2-W</u>	41
<u>FCS1-1805N-BZU4Y/2-W</u>	42
<u>FCS1-1805P-AZU4Y/2-W</u>	43
<u>FCS1-1805P-BZU4Y/2-W</u>	44
<u>FCS1-1805P-SZU4Y/2-W</u>	46
<u>FCS1-1805N-SZU4Y/2-W</u>	45
<u>FCS1-1805C-AZL4Y/2-W</u>	47
<u>FCS1-1805C-BZL4Y/2-W</u>	79
<u>HCS1-1805N-AZU4Y/2-W</u>	41
<u>HCS1-1805N-BZU4Y/2-W</u>	42
<u>HCS1-1805P-AZU4Y/2-W</u>	43
<u>HCS1-1805P-BZU4Y/2-W</u>	44

Approx.98 g
-------------

M 30
● ○
10 mm 15 mm
Stainless steel
●



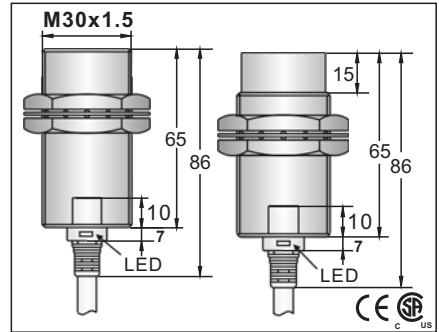
10-30VDC or 10-55VDC
<10%
<10mA
200mA
<0.01mA
-
<1.5V
300HZ 150HZ
0.5ms/0.5ms 1.0ms/1.0ms
<15%(Sr)
<1.0%(Sr)
IP67
-25 °C - +70 °C
<10%(Sr)
YES
220mA
160MT
RFI>10V/m / EFT>1KV / ESD>8KV (contact)
IEC 60947-5-2,Part 7.4.1 / IEC 60947-5-2,Part 7.4.2
Stainless steel

<u>FCS1-3010N-A3S2-W</u>	1	<u>FCS2-3015N-A3S2-W</u>
<u>FCS1-3010N-B3S2-W</u>	2	<u>FCS2-3015N-B3S2-W</u>
<u>FCS1-3010P-A3S2-W</u>	3	<u>FCS2-3015P-A3S2-W</u>
<u>FCS1-3010P-B3S2-W</u>	4	<u>FCS2-3015P-B3S2-W</u>
<u>FCS1-3010P-S4S2-W</u>	6	<u>FCS2-3015P-S4S2-W</u>
<u>FCS1-3010N-S4S2-W</u>	5	<u>FCS2-3015N-S4S2-W</u>
<u>FCS1-3010C-A2S2-W</u>	7	<u>FCS2-3015C-A2S2-W</u>
<u>FCS1-3010C-B2S2-W</u>	8	<u>FCS2-3015C-B2S2-W</u>
<u>HCS1-3010N-A3S2-W</u>	1	<u>HCS2-3015N-A3S2-W</u>
<u>HCS1-3010N-B3S2-W</u>	2	<u>HCS2-3015N-B3S2-W</u>
<u>HCS1-3010P-A3S2-W</u>	3	<u>HCS2-3015P-A3S2-W</u>
<u>HCS1-3010P-B3S2-W</u>	4	<u>HCS2-3015P-B3S2-W</u>

5.8φ 3x0.5
Approx.217 g
Approx.207 g

Please see Page 18 for details and specifications of DC 2-Wire models on this page.

M 30
● ○
10 mm 15 mm
Stainless steel
●



10-30VDC or 10-55VDC
<10%
<10mA
200mA
<0.01mA
-
<1.5V
300HZ 150HZ
0.5ms/0.5ms 1.0ms/1.0ms
<15%(Sr)
<1.0%(Sr)
IP67
-25 °C - +70 °C
<10%(Sr)
YES
220mA
160MT
RFI>10V/m / EFT>1KV / ESD>8KV (contact)
IEC 60947-5-2,Part 7.4.1 / IEC 60947-5-2,Part 7.4.2
Stainless steel

<u>FCS1-3010N-A3U2-W</u>	1	<u>FCS2-3015N-A3U2-W</u>
<u>FCS1-3010N-B3U2-W</u>	2	<u>FCS2-3015N-B3U2-W</u>
<u>FCS1-3010P-A3U2-W</u>	3	<u>FCS2-3015P-A3U2-W</u>
<u>FCS1-3010P-B3U2-W</u>	4	<u>FCS2-3015P-B3U2-W</u>
<u>FCS1-3010P-S4U2-W</u>	6	<u>FCS2-3015P-S4U2-W</u>
<u>FCS1-3010N-S4U2-W</u>	5	<u>FCS2-3015N-S4U2-W</u>
<u>FCS1-3010C-A2U2-W</u>	7	<u>FCS2-3015C-A2U2-W</u>
<u>FCS1-3010C-B2U2-W</u>	8	<u>FCS2-3015C-B2U2-W</u>
<u>HCS1-3010N-A3U2-W</u>	1	<u>HCS2-3015N-A3U2-W</u>
<u>HCS1-3010N-B3U2-W</u>	2	<u>HCS2-3015N-B3U2-W</u>
<u>HCS1-3010P-A3U2-W</u>	3	<u>HCS2-3015P-A3U2-W</u>
<u>HCS1-3010P-B3U2-W</u>	4	<u>HCS2-3015P-B3U2-W</u>

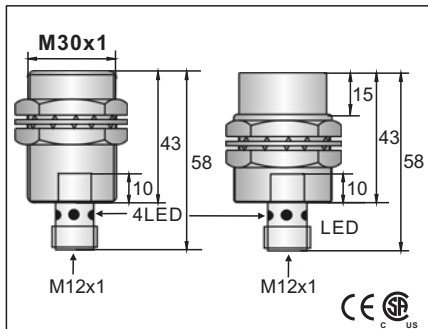
5.8φ 3x0.5
Approx.227 g
Approx.217 g

DC METAL FACE  
INDUCTIVE PROXIMITY SWITCH

Note:  
Coming Soon : Part numbers with underline

## DC METAL FACE INDUCTIVE PROXIMITY SWITCH (Teflon Coating)

M 30	
●	○
10 mm	15 mm
Stainless steel	
●	



10-30VDC or 10-55VDC	
<10%	
<10mA	
200mA	
<0.01mA	
-	
<1.5V	

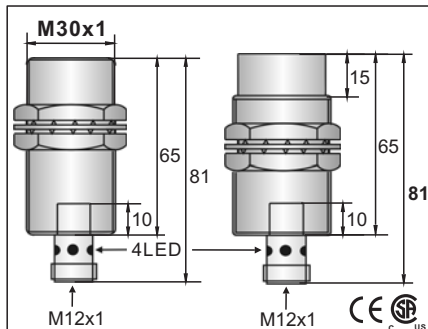
300HZ	150HZ
0.5ms/0.5ms	1ms/1ms
<15%(Sr)	
<1.0%(Sr)	
IP67	
-25°C - +70°C	
<10%(Sr)	
YES	
220mA	
160MT	

RFI>10V/m / EFT>1KV / ESD>8KV (contact)  
IEC 60947-5-2, Part 7.4.1 / IEC 60947-5-2, Part 7.4.2

Stainless steel		
FCS1-3010N-ARS4-W	33	FCS2-3015N-ARS4-W
FCS1-3010N-BRS4-W	34	FCS2-3015N-BRS4-W
FCS1-3010P-ARS4-W	35	FCS2-3015P-ARS4-W
FCS1-3010P-BRS4-W	36	FCS2-3015P-BRS4-W
FCS1-3010P-SRS4-W	38	FCS2-3015P-SRS4-W
FCS1-3010N-SRS4-W	37	FCS2-3015N-SRS4-W
FCS1-3010C-ARS4-W	40	FCS2-3015C-ARS4-W
FCS1-3010C-BRS4-W	78	FCS2-3015C-BRS4-W
HCS1-3010N-ARS4-W	33	HCS2-3015N-ARS4-W
HCS1-3010N-BRS4-W	34	HCS2-3015N-BRS4-W
HCS1-3010P-ARS4-W	35	HCS2-3015P-ARS4-W
HCS1-3010P-BRS4-W	36	HCS2-3015P-BRS4-W

Approx.111 g	Approx.121 g
--------------	--------------

M 30	
●	○
10 mm	15 mm
Stainless steel	
●	



10-30VDC or 10-55VDC	
<10%	
<10mA	
200mA	
<0.01mA	
-	
<1.5V	

300HZ	150HZ
0.5ms/0.5ms	1ms/1ms
<15%(Sr)	
<1.0%(Sr)	
IP67	
-25°C - +70°C	
<10%(Sr)	
YES	
220mA	
160MT	

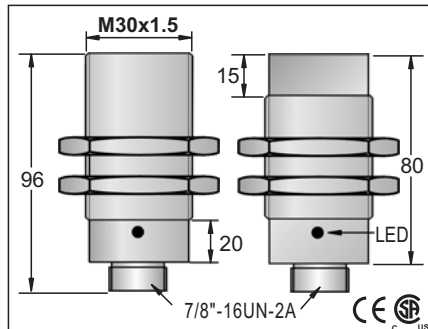
RFI>10V/m / EFT>1KV / ESD>8KV (contact)  
IEC 60947-5-2, Part 7.4.1 / IEC 60947-5-2, Part 7.4.2

Stainless steel		
FCS1-3010N-ARU4-W	33	FCS2-3015N-ARU4-W
FCS1-3010N-BRU4-W	34	FCS2-3015N-BRU4-W
FCS1-3010P-ARU4-W	35	FCS2-3015P-ARU4-W
FCS1-3010P-BRU4-W	36	FCS2-3015P-BRU4-W
FCS1-3010P-SRU4-W	38	FCS2-3015P-SRU4-W
FCS1-3010N-SRU4-W	37	FCS2-3015N-SRU4-W
FCS1-3010C-ARU4-W	40	FCS2-3015C-ARU4-W
FCS1-3010C-BRU4-W	78	FCS2-3015C-BRU4-W
HCS1-3010N-ARU4-W	33	HCS2-3015N-ARU4-W
HCS1-3010N-BRU4-W	34	HCS2-3015N-BRU4-W
HCS1-3010P-ARU4-W	35	HCS2-3015P-ARU4-W
HCS1-3010P-BRU4-W	36	HCS2-3015P-BRU4-W

Please see Page 18 for details and specifications of DC 2-Wire models on this page.

Approx.187 g	Approx.179 g
--------------	--------------

M 30	
●	○
10 mm	15 mm
Stainless steel	
●	



10-30VDC or 10-55VDC	
<10%	
<10mA	
200mA	
<0.01mA	
-	
<1.5V	

300HZ	150HZ
0.5ms/0.5ms	1ms/1ms
<15%(Sr)	
<1.0%(Sr)	
IP67	
-25°C - +70°C	
<10%(Sr)	
YES	
220mA	
160MT	

RFI>10V/m / EFT>1KV / ESD>8KV (contact)  
IEC 60947-5-2, Part 7.4.1 / IEC 60947-5-2, Part 7.4.2

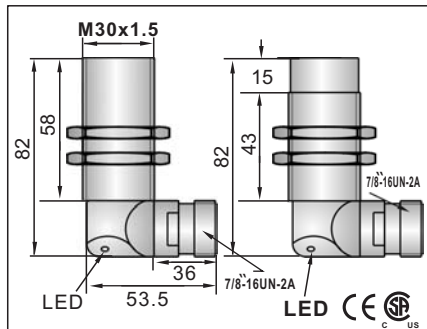
Stainless steel		
FCS1-3010N-AZU4-W	41	FCS2-3015N-AZU4-W
FCS1-3010N-BZU4-W	42	FCS2-3015N-BZU4-W
FCS1-3010P-AZU4-W	43	FCS2-3015P-AZU4-W
FCS1-3010P-BZU4-W	44	FCS2-3015P-BZU4-W
FCS1-3010P-SZU4-W	46	FCS2-3015P-SZU4-W
FCS1-3010N-SZU4-W	45	FCS2-3015N-SZU4-W
FCS1-3010C-AZU4-W	47	FCS2-3015C-AZU4-W
FCS1-3010C-BZU4-W	79	FCS2-3015C-BZU4-W
HCS1-3010N-AZU4-W	41	HCS2-3015N-AZU4-W
HCS1-3010N-BZU4-W	42	HCS2-3015N-BZU4-W
HCS1-3010P-AZU4-W	43	HCS2-3015P-AZU4-W
HCS1-3010P-BZU4-W	44	HCS2-3015P-BZU4-W

Approx.187 g	Approx.179 g
--------------	--------------

Note:  
Coming Soon : Part numbers with underline

## DC METAL FACE INDUCTIVE PROXIMITY SWITCH (Teflon Coating)

M 30	
●	○
10 mm	15 mm
Stainless steel	
●	



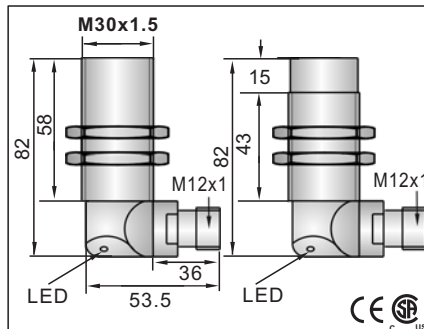
10-30VDC or 10-55VDC	
<10%	
<10mA	
200mA	
<0.01mA	
-	
-	
<1.5V	
300HZ	150HZ
0.5ms/0.5ms	1ms/1ms
<15%(Sr)	
<1.0%(Sr)	
IP67	
-25°C - +70°C	
<10%(Sr)	
YES	
220mA	
160MT	
RFI>10V/m / EFT>1KV / ESD>8KV (contact)	
IEC 60947-5-2, Part 7.4.1 / IEC 60947-5-2, Part 7.4.2	
Stainless steel	

<u>FCS1-3010N-AZU4Y-W</u>	41	<u>FCS2-3015N-AZU4Y-W</u>
<u>FCS1-3010N-BZU4Y-W</u>	42	<u>FCS2-3015N-BZU4Y-W</u>
<u>FCS1-3010P-AZU4Y-W</u>	43	<u>FCS2-3015P-AZU4Y-W</u>
<u>FCS1-3010P-BZU4Y-W</u>	44	<u>FCS2-3015P-BZU4Y-W</u>
<u>FCS1-3010P-SZU4Y-W</u>	46	<u>FCS2-3015P-SZU4Y-W</u>
<u>FCS1-3010N-SZU4Y-W</u>	45	<u>FCS2-3015N-SZU4Y-W</u>
<u>FCS1-3010C-AZU4Y-W</u>	47	<u>FCS2-3015C-AZU4Y-W</u>
<u>FCS1-3010C-BZU4Y-W</u>	79	<u>FCS2-3015C-BZU4Y-W</u>
<u>HCS1-3010N-AZU4Y-W</u>	41	<u>HCS2-3015N-AZU4Y-W</u>
<u>HCS1-3010N-BZU4Y-W</u>	42	<u>HCS2-3015N-BZU4Y-W</u>
<u>HCS1-3010P-AZU4Y-W</u>	43	<u>HCS2-3015P-AZU4Y-W</u>
<u>HCS1-3010P-BZU4Y-W</u>	44	<u>HCS2-3015P-BZU4Y-W</u>

Approx.311 g		Approx.356 g	
--------------	--	--------------	--

Note:  
Coming Soon : Part numbers with underline

M 30	
●	○
10 mm	15 mm
Stainless steel	
●	



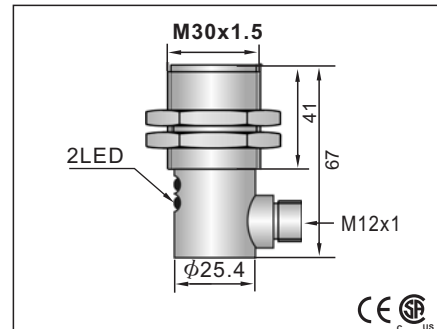
10-30VDC or 10-55VDC	
<10%	
<10mA	
200mA	
<0.01mA	
-	
-	
<1.5V	
0.5ms/0.5ms	1ms/1ms
300HZ	150HZ
<15%(Sr)	
<1.0%(Sr)	
IP67	
-25°C - +70°C	
<10%(Sr)	
YES	
220mA	
160MT	
RFI>10V/m / EFT>1KV / ESD>8KV (contact)	
IEC 60947-5-2, Part 7.4.1 / IEC 60947-5-2, Part 7.4.2	
Stainless steel	

<u>FCS1-3010N-ARU4Y-W</u>	33	<u>FCS2-3015N-ARU4Y-W</u>
<u>FCS1-3010N-BRU4Y-W</u>	34	<u>FCS2-3015N-BRU4Y-W</u>
<u>FCS1-3010P-ARU4Y-W</u>	35	<u>FCS2-3015P-ARU4Y-W</u>
<u>FCS1-3010P-BRU4Y-W</u>	36	<u>FCS2-3015P-BRU4Y-W</u>
<u>FCS1-3010P-SRU4Y-W</u>	38	<u>FCS2-3015P-SRU4Y-W</u>
<u>FCS1-3010N-SRU4Y-W</u>	37	<u>FCS2-3015N-SRU4Y-W</u>
<u>FCS1-3010C-ARU4Y-W</u>	40	<u>FCS2-3015C-ARU4Y-W</u>
<u>FCS1-3010C-BRU4Y-W</u>	78	<u>FCS2-3015C-BRU4Y-W</u>
<u>HCS1-3010N-ARU4Y-W</u>	33	<u>HCS2-3015N-ARU4Y-W</u>
<u>HCS1-3010N-BRU4Y-W</u>	34	<u>HCS2-3015N-BRU4Y-W</u>
<u>HCS1-3010P-ARU4Y-W</u>	35	<u>HCS2-3015P-ARU4Y-W</u>
<u>HCS1-3010P-BRU4Y-W</u>	36	<u>HCS2-3015P-BRU4Y-W</u>

Approx.311 g		Approx.356 g	
--------------	--	--------------	--

Please see Page 18 for details and specifications of DC 2-Wire models on this page.

M 30	
●	○
10 mm	
Stainless steel	
●	



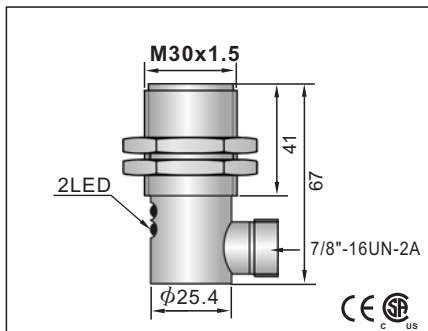
10-30VDC or 10-55VDC	
<10%	
<10mA	
200mA	
<0.01mA	
-	
-	
<1.5V	
0.5ms/0.5ms	
300HZ	
<15%(Sr)	
<1.0%(Sr)	
IP67	
-25°C - +70°C	
<10%(Sr)	
YES	
220mA	
160MT	
RFI>10V/m / EFT>1KV / ESD>8KV (contact)	
IEC 60947-5-2, Part 7.4.1 / IEC 60947-5-2, Part 7.4.2	
Stainless steel	

<u>FCS1-3010N-ARU4Y/2-W</u>	33
<u>FCS1-3010N-BRU4Y/2-W</u>	34
<u>FCS1-3010P-ARU4Y/2-W</u>	35
<u>FCS1-3010P-BRU4Y/2-W</u>	36
<u>FCS1-3010P-SRU4Y/2-W</u>	38
<u>FCS1-3010N-SRU4Y/2-W</u>	37
<u>FCS1-3010C-ARU4Y/2-W</u>	40
<u>FCS1-3010C-BRU4Y/2-W</u>	78
<u>HCS1-3010N-ARU4Y/2-W</u>	33
<u>HCS1-3010N-BRU4Y/2-W</u>	34
<u>HCS1-3010P-ARU4Y/2-W</u>	35
<u>HCS1-3010P-BRU4Y/2-W</u>	36

Approx.250 g	
--------------	--

## DC METAL FACE INDUCTIVE PROXIMITY SWITCH (Teflon Coating)

M 30
●
10 mm
Stainless steel
●



10-30VDC or 10-55VDC
<10%
<10mA
200mA
<0.01mA
-
-
<1.5V
0.5ms/0.5ms
300HZ
<15%(Sr)
<1.0%(Sr)
IP67
-25 °C - +70 °C
<10%(Sr)
YES
220mA
160MT
RFI>10V/m / EFT>1KV / ESD>8KV (contact)
IEC 60947-5-2,Part 7.4.1 / IEC 60947-5-2,Part 7.4.2
Stainless steel

<u>FCS1-3010N-AZU4Y/2-W</u>	41
<u>FCS1-3010N-BZU4Y/2-W</u>	42
<u>FCS1-3010P-AZU4Y/2-W</u>	43
<u>FCS1-3010P-BZU4Y/2-W</u>	44
<u>FCS1-3010P-SZU4Y/2-W</u>	46
<u>FCS1-3010N-SZU4Y/2-W</u>	45
<u>FCS1-3010C-AZU4Y/2-W</u>	47
<u>FCS1-3010C-BZU4Y/2-W</u>	79
<u>HCS1-3010N-AZU4Y/2-W</u>	41
<u>HCS1-3010N-BZU4Y/2-W</u>	42
<u>HCS1-3010P-AZU4Y/2-W</u>	43
<u>HCS1-3010P-BZU4Y/2-W</u>	44

Please see Page 18 for details and specifications of DC 2-Wire models on this page.

Approx.250 g
--------------

Note:  
Coming Soon : Part numbers with underline