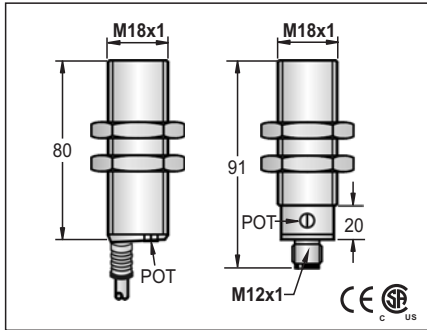
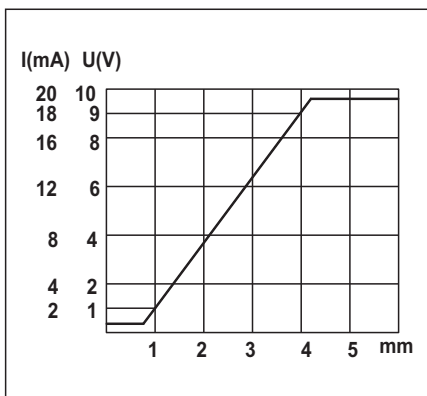


## INDUCTIVE VOLTAGE AND CURRENT OUTPUT ANALOG SENSOR

M 18
●
1-4 mm
Nickel plated brass
○



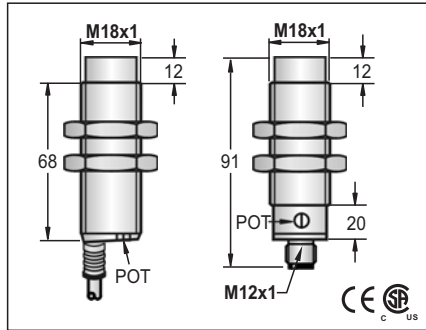
18-30VDC
<10%
15mA
0-10VDC/ $\geq 4.7K\Omega$
0-20mA/0-200
<10%(Sr)
0.02mm
0 °C-70 °C
<5%(Sr)
NO
YES
IP67
PNP-ANALOG
100Hz
-
RFI>3V/m / EFT>1KV / ESD>4KV (contact)
IEC 60947-5-2,Part 7.4.1 / IEC 60947-5-2,Part 7.4.2
PBT



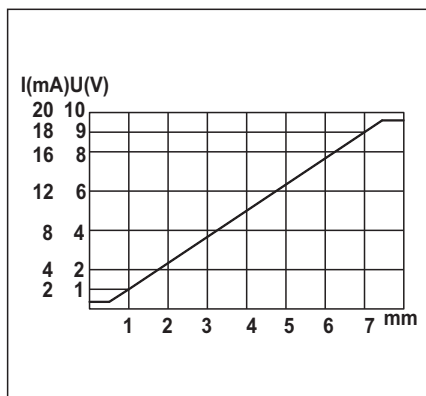
FCM1-1804G-M4U2	17	FCM1-1804G-MRU4	86
-----------------	----	-----------------	----

5.0 $\phi$ 44x0.1	—
approx.142g	approx.60g

M 18
○
1-7 mm
Nickel plated brass
○



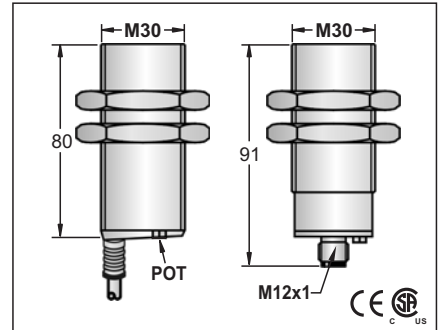
18-30VDC
<10%
15mA
0-10VDC/ $\geq 4.7K\Omega$
0-20mA/0-200
<10%(Sr)
0.02mm
0 °C-70 °C
<5%(Sr)
NO
YES
IP67
PNP-ANALOG
30Hz
-
RFI>3V/m / EFT>1KV / ESD>4KV (contact)
IEC 60947-5-2,Part 7.4.1 / IEC 60947-5-2,Part 7.4.2
PBT



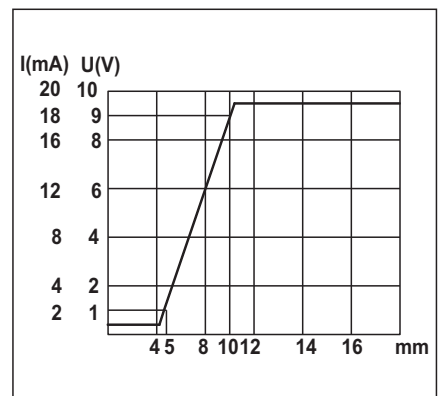
FCM2-1807G-M4U2	17	FCM2-1807G-MRU4	86
-----------------	----	-----------------	----

5.0 $\phi$ 44x0.1	—
approx.138g	approx.58g

M 30
●
5-10mm
Nickel plated brass
○



18-30VDC
<10%
15mA
0-10VDC/ $\geq 4.7K\Omega$
0-20mA/0-200
<10%(Sr)
0.02mm
0 °C-70 °C
<5%(Sr)
NO
YES
IP67
PNP-ANALOG
100Hz
-
RFI>3V/m / EFT>1KV / ESD>4KV (contact)
IEC 60947-5-2,Part 7.4.1 / IEC 60947-5-2,Part 7.4.2
PBT



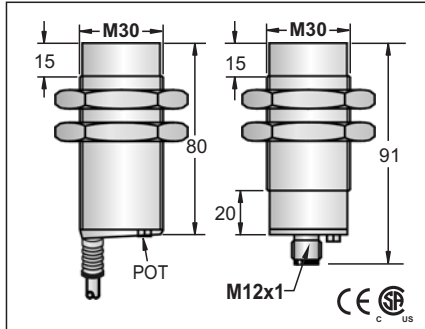
FCM1-3010G-M4U2	17	FCM1-3010G-MRU4	86
-----------------	----	-----------------	----

5.8 $\phi$ 4x0.5	—
approx.252g	approx.110g

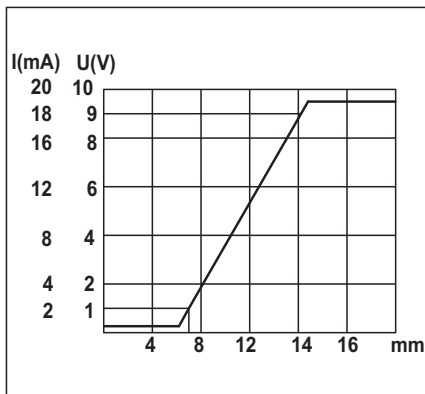
INDUCTIVE VOLTAGE & CURRENT OUTPUT ANALOG SENSOR

## INDUCTIVE VOLTAGE AND CURRENT OUTPUT ANALOG SENSOR

M 30
○
7-14mm
Nickel plated brass
○



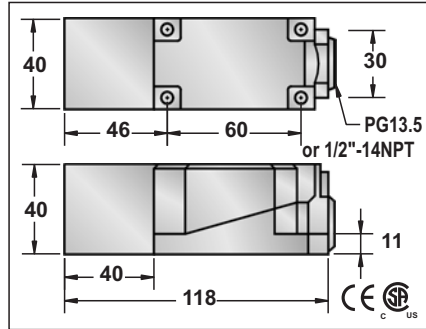
18-30VDC
<10%
15mA
0-10VDC/ $\geq 4.7K\Omega$
0-20mA/0-200
<10%(Sr)
0.02mm
0 °C-70 °C
<5%(Sr)
NO
YES
IP67
PNP-ANALOG
30Hz
-
RFI>3V/m / EFT>1KV / ESD>4KV (contact)
IEC 60947-5-2,Part 7.4.1 / IEC 60947-5-2,Part 7.4.2
PBT



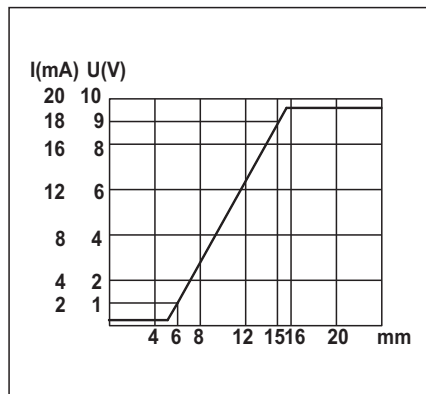
FCM2-3014G-M4U2	17	FCM2-3014G-MRU4	86
-----------------	----	-----------------	----

5.8φ4x0.5	-
approx.246g	approx.110g

Q 40
●
6-15mm
PBT
○



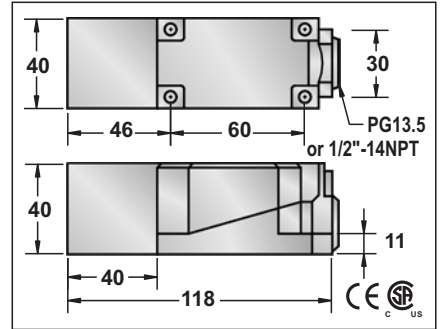
18-30VDC
<10%
15mA
0-10VDC/ $\geq 4.7K\Omega$
0-20mA/0-200
<10%(Sr)
0.02mm
0 °C-70 °C
<5%(Sr)
NO
YES
IP67
PNP-ANALOG
100Hz
-
RFI>3V/m / EFT>1KV / ESD>4KV (contact)
IEC 60947-5-2,Part 7.4.1 / IEC 60947-5-2,Part 7.4.2
PBT



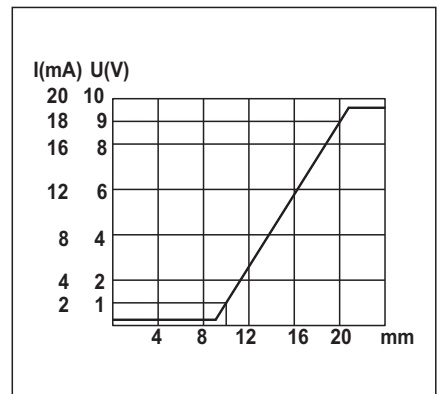
FQP1-4015G-M4U	17
----------------	----

approx.242g
-------------

Q 40
○
7-20mm
PBT
○



18-30VDC
<10%
15mA
0-10VDC/ $\geq 4.7K\Omega$
0-20mA/0-200
<10%(Sr)
0.02mm
0 ° C-70 ° C
<5%(Sr)
NO
YES
IP67
PNP-ANALOG
30Hz
-
RFI>3V/m / EFT>1KV / ESD>4KV (contact)
IEC 60947-5-2,Part 7.4.1 / IEC 60947-5-2,Part 7.4.2
PBT



FQP2-4020G-M4U	17
----------------	----

approx.242g
-------------

INDUCTIVE VOLTAGE & CURRENT OUTPUT ANALOG SENSOR