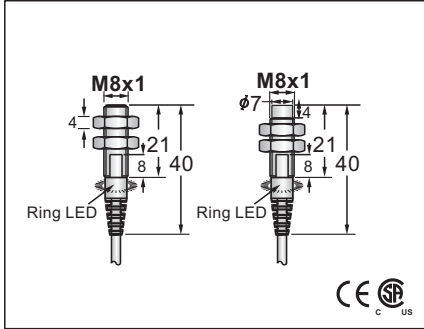


DC HIGH TORQUE, EXTENDED SENSING RANGE (SHORT BODY)

DC HIGH TORQUE, EXTENDED SENSING RANGE (SHORT BODY)

M8	
●	○
2.0	4.0
Stainless steel	
●	



10-30 VDC	
10% max.	
8x8x1 mm	12x12x1 mm
2,000Hz	1,000Hz
10mA max.	
200mA max.	
—	
2V max.	
≤ 15% of sensing distance	
IP67	
-25°C to 70°C	
Operating: 35% to 95%	
<10%	
YES	
YES	
RFI>3V/m / EFT>1KV / ESD>4KV (contact)	
IEC 60947-5-2, Part 7.4.1 / IEC 60947-5-2, Part 7.4.2	
PBT	

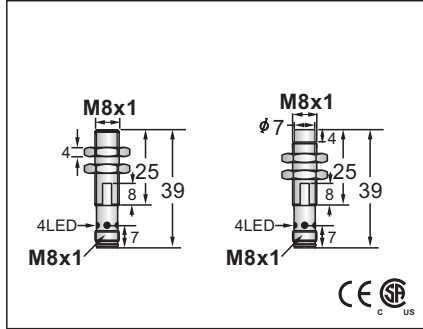
<u>OCN1-0802N-A3S2</u>	1	<u>OCN2-0804N-A3S2</u>
<u>OCN1-0802N-B3S2</u>	2	<u>OCN2-0804N-B3S2</u>
<u>OCN1-0802P-A3S2</u>	3	<u>OCN2-0804P-A3S2</u>
<u>OCN1-0802P-B3S2</u>	4	<u>OCN2-0804P-B3S2</u>

Pigtail types

Note:
The standard cable length is 300mm.
Any other length can be made by request.
The relevant part number is with suffix "P8.P12", for example:
OCN1-0802N-A3S0.3/P8
M8 pigtail mode
OCN1-0802N-A3S0.3/P12
M12 pigtail mode

3 φ 3x0.15	
Approx.65 g	

M8	
●	○
2.0	4.0
Stainless steel	
●	

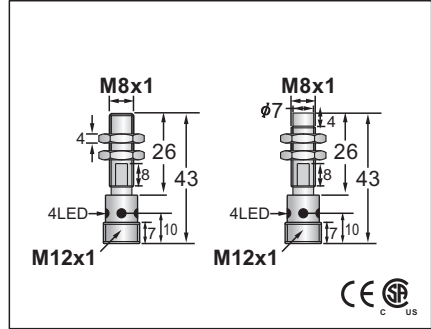


10-30 VDC	
10% max.	
8x8x1 mm	12x12x1 mm
2,000Hz	1,000Hz
10mA max.	
200mA max.	
—	
2V max.	
≤ 15% of sensing distance	
IP67	
-25°C to 70°C	
Operating: 35% to 95%	
<10%	
YES	
YES	
RFI>3V/m / EFT>1KV / ESD>4KV (contact)	
IEC 60947-5-2, Part 7.4.1 / IEC 60947-5-2, Part 7.4.2	
PBT	

<u>OCN1-0802N-ACS3</u>	29	<u>OCN2-0804N-ACS3</u>
<u>OCN1-0802N-BCS3</u>	29	<u>OCN2-0804N-BCS3</u>
<u>OCN1-0802P-ACS3</u>	30	<u>OCN2-0804P-ACS3</u>
<u>OCN1-0802P-BCS3</u>	30	<u>OCN2-0804P-BCS3</u>

Approx.15 g	
-------------	--

M8	
●	○
2.0	4.0
Stainless steel	
●	



10-30 VDC	
10% max.	
8x8x1 mm	12x12x1 mm
2,000Hz	1,000Hz
10mA max.	
200mA max.	
—	
2V max.	
≤ 15% of sensing distance	
IP67	
-25°C to 70°C	
Operating: 35% to 95%	
<10%	
YES	
YES	
RFI>3V/m / EFT>1KV / ESD>4KV (contact)	
IEC 60947-5-2, Part 7.4.1 / IEC 60947-5-2, Part 7.4.2	
PBT	

<u>OCN1-0802N-ARS4</u>	33	<u>OCN2-0804N-ARS4</u>
<u>OCN1-0802N-BRS4</u>	34	<u>OCN2-0804N-BRS4</u>
<u>OCN1-0802P-ARS4</u>	35	<u>OCN2-0804P-ARS4</u>
<u>OCN1-0802P-BRS4</u>	36	<u>OCN2-0804P-BRS4</u>

Approx.20 g	
-------------	--

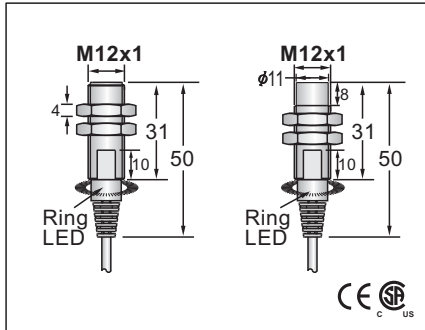
Note:
Coming Soon : Part numbers with underline

M12、M18

DC HIGH TORQUE, EXTENDED SENSING RANGE (SHORT BODY)

DC HIGH TORQUE, EXTENDED SENSING RANGE (SHORT BODY)

M12	
●	○
4.0	8.0
Nickel plated brass	
●	



10-30 VDC	
10% max.	
12x12x1 mm	24x24x1 mm
1,000Hz	500Hz
10mA max.	
200mA max.	
—	
2V max.	
≤ 15% of sensing distance	
IP67	
-25°C to 70°C	
Operating: 35% to 95%	
<10%	
YES	
YES	
RFI>3V/m / EFT>1KV / ESD>4KV (contact)	
IEC 60947-5-2,Part 7.4.1 / IEC 60947-5-2,Part 7.4.2	
PBT	

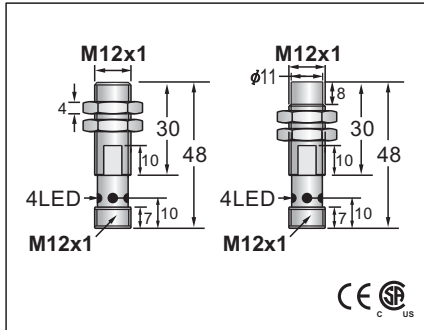
OCN1-1204N-A3S2	1	OCN2-1208N-A3S2	1
OCN1-1204N-B3S2	2	OCN2-1208N-B3S2	2
OCN1-1204P-A3S2	3	OCN2-1208P-A3S2	3
OCN1-1204P-B3S2	4	OCN2-1208P-B3S2	4

Pigtail types

Note:
The standard cable length is 300mm. Any other length can be made by request.
The relevant part number is with suffix "P8, P12", for example:
OCN1-1204N-A3S0.3/P8
M8 pigtail mode
OCN1-1204N-A3S0.3/P12
M12 pigtail mode

4 φ 3x0.15	
Approx.85 g	

M12	
●	○
4.0	8.0
Nickel plated brass	
●	



10-30 VDC	
10% max.	
12x12x1 mm	24x24x1 mm
1,000Hz	500Hz
10mA max.	
200mA max.	
—	
2V max.	
≤ 15% of sensing distance	
IP67	
-25°C to 70°C	
Operating: 35% to 95%	
<10%	
YES	
YES	
RFI>3V/m / EFT>1KV / ESD>4KV (contact)	
IEC 60947-5-2,Part 7.4.1 / IEC 60947-5-2,Part 7.4.2	
PBT	

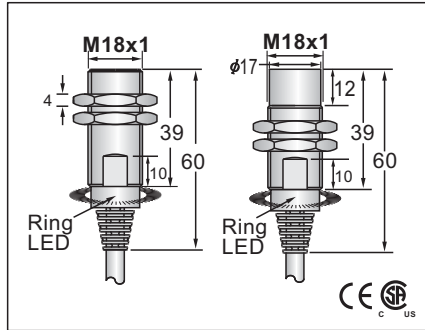
OCN1-1204N-ARS4	33	OCN2-1208N-ARS4	33
OCN1-1204N-BRS4	34	OCN2-1208N-BRS4	34
OCN1-1204P-ARS4	35	OCN2-1208P-ARS4	35
OCN1-1204P-BRS4	36	OCN2-1208P-BRS4	36

Pigtail types

Note:
The standard cable length is 300mm. Any other length can be made by request.
The relevant part number is with suffix "P12", for example:
OCN1-1808N-A3S0.3/P12
M12 pigtail mode

4 φ 3x0.15	
Approx.35 g	

M18	
●	○
8.0	16.0
Nickel plated brass	
●	



10-30 VDC	
10% max.	
24x24x1 mm	48x48x1 mm
500Hz	150Hz
10mA max.	
200mA max.	
—	
2V max.	
≤ 15% of sensing distance	
IP67	
-25°C to 70°C	
Operating: 35% to 95%	
<10%	
YES	
YES	
RFI>3V/m / EFT>1KV / ESD>4KV (contact)	
IEC 60947-5-2,Part 7.4.1 / IEC 60947-5-2,Part 7.4.2	
PBT	

OCN1-1808N-A3S2	1	OCN2-1816N-A3S2	1
OCN1-1808N-B3S2	2	OCN2-1816N-B3S2	2
OCN1-1808P-A3S2	3	OCN2-1816P-A3S2	3
OCN1-1808P-B3S2	4	OCN2-1816P-B3S2	4

Pigtail types

Note:
The standard cable length is 300mm. Any other length can be made by request.
The relevant part number is with suffix "P12", for example:
OCN1-1808N-A3S0.3/P12
M12 pigtail mode

5.0 φ 44x0.1	
Approx.160 g	

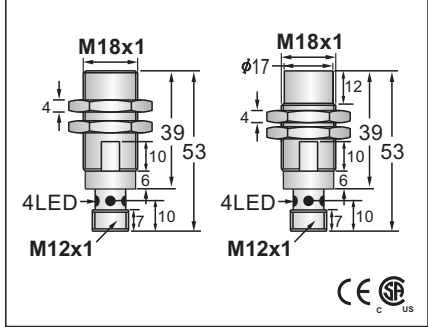
Note:
Coming Soon : Part numbers with underline

M18、M30

DC HIGH TORQUE, EXTENDED SENSING RANGE (SHORT BODY)

DC HIGH TORQUE, EXTENDED SENSING RANGE (SHORT BODY)

M18	
●	○
8.0	16.0
Nickel plated brass	
●	



10-30 VDC	
10% max.	
24x24x1 mm	48x48x1 mm
500Hz	150Hz

10mA max.	
200mA max.	

2V max.	
---------	--

≤ 15% of sensing distance	
---------------------------	--

IP67	
------	--

-25°C to 70°C	
---------------	--

Operating: 35% to 95%	
-----------------------	--

<10%	
------	--

YES	
-----	--

YES	
-----	--

RFI>3V/m / EFT>1KV / ESD>4KV (contact)	
--	--

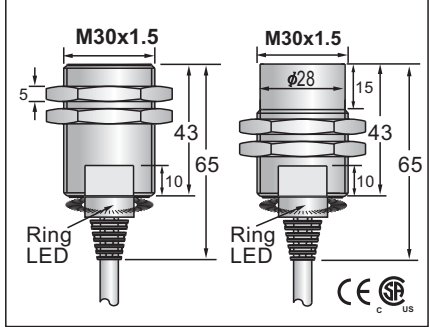
IEC 60947-5-2,Part 7.4.1 / IEC 60947-5-2,Part 7.4.2	
---	--

PBT	
-----	--

OCN1-1808N-ARS4	33	OCN2-1816N-ARS4
OCN1-1808N-BRS4	34	OCN2-1816N-BRS4
OCN1-1808P-ARS4	35	OCN2-1816P-ARS4
OCN1-1808P-BRS4	36	OCN2-1816P-BRS4

Approx.70 g	
-------------	--

M30	
●	○
16.0	25.0
Nickel plated brass	
●	



10-30 VDC	
10% max.	
48x48x1 mm	75x75x1 mm
150Hz	100Hz

10mA max.	
200mA max.	

2V max.	
---------	--

≤ 15% of sensing distance	
---------------------------	--

IP67	
------	--

-25°C to 70°C	
---------------	--

Operating: 35% to 95%	
-----------------------	--

<10%	
------	--

YES	
-----	--

YES	
-----	--

RFI>3V/m / EFT>1KV / ESD>4KV (contact)	
--	--

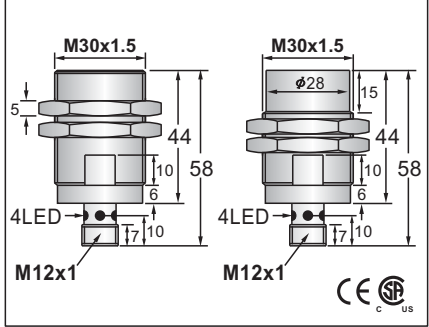
IEC 60947-5-2,Part 7.4.1 / IEC 60947-5-2,Part 7.4.2	
---	--

PBT	
-----	--

OCN1-3016N-A3S2	1	OCN2-3025N-A3S2
OCN1-3016N-B3S2	2	OCN2-3025N-B3S2
OCN1-3016P-A3S2	3	OCN2-3025P-A3S2
OCN1-3016P-B3S2	4	OCN2-3025P-B3S2

Approx.280 g	
--------------	--

M30	
●	○
16.0	25.0
Nickel plated brass	
●	



10-30 VDC	
10% max.	
48x48x1 mm	75x75x1 mm
150Hz	100Hz

10mA max.	
200mA max.	

2V max.	
---------	--

≤ 15% of sensing distance	
---------------------------	--

IP67	
------	--

-25°C to 70°C	
---------------	--

Operating: 35% to 95%	
-----------------------	--

<10%	
------	--

YES	
-----	--

YES	
-----	--

RFI>3V/m / EFT>1KV / ESD>4KV (contact)	
--	--

IEC 60947-5-2,Part 7.4.1 / IEC 60947-5-2,Part 7.4.2	
---	--

PBT	
-----	--

OCN1-3016N-ARS4	33	OCN2-3025N-ARS4
OCN1-3016N-BRS4	34	OCN2-3025N-BRS4
OCN1-3016P-ARS4	35	OCN2-3025P-ARS4
OCN1-3016P-BRS4	36	OCN2-3025P-BRS4

Approx.200 g	
--------------	--

Pigtail types



Note:
The standard cable length is 300mm.
Any other length can be made by request.
The relevant part number is with suffix "P12", for example:
OCN1-3015N-A3S0.3/P12
M12 pigtail mode □

Note:
Coming Soon : Part numbers with underline