





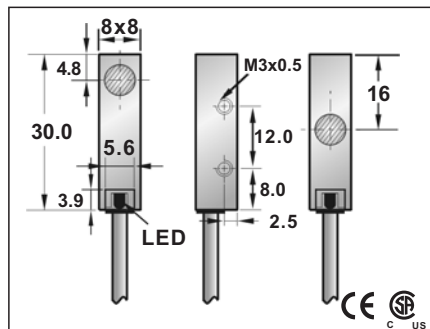




DC INDUCTIVE PROXIMITY SWITCH SQUARE TYPE

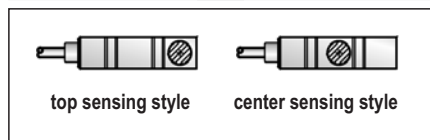
DC INDUCTIVE PROXIMITY SWITCH SQUARE TYPE

<b>Q8</b>
●
1.5 mm
die-cast
●



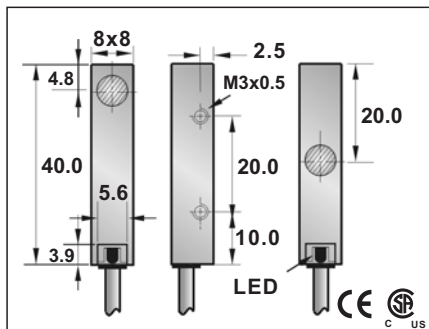
10-30VDC or 5-36VDC	
<10%	
<10mA	
200mA	
<0.01mA	
-	
-	
<1.5V	
2KHZ	
0.1ms/0.1ms	
<15%(Sr)	
<1.0%(Sr)	
IP67	
-25°C - +70°C	
<10%(Sr)	
YES	
220mA	
<10ms	
RFI>3V/m / EFT>1KV / ESD>4KV (contact)	
IEC 60947-5-2, Part 7.4.1 / IEC 60947-5-2, Part 7.4.2	
PBT	

<u>FQM1-881.5N-A3S2T</u>	1	<u>FQM1-881.5N-A3S2M</u>
<u>FQM1-881.5N-B3S2T</u>	2	<u>FQM1-881.5N-B3S2M</u>
<u>FQM1-881.5P-A3S2T</u>	3	<u>FQM1-881.5P-A3S2M</u>
<u>FQM1-881.5P-B3S2T</u>	4	<u>FQM1-881.5P-B3S2M</u>
<u>IQM1-881.5N-A3S2T</u>	1	<u>IQM1-881.5N-A3S2M</u>
<u>IQM1-881.5N-B3S2T</u>	2	<u>IQM1-881.5N-B3S2M</u>
<u>IQM1-881.5P-A3S2T</u>	3	<u>IQM1-881.5P-A3S2M</u>
<u>IQM1-881.5P-B3S2T</u>	4	<u>IQM1-881.5P-B3S2M</u>



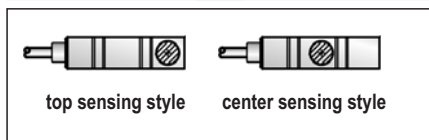
<b>3.0 φ3X0.15</b>
Approx.38 g

<b>Q8</b>
●
1.5 mm
die-cast
●



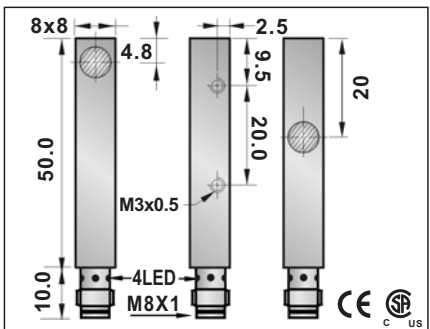
10-30VDC or 5-36VDC	
<10%	
<10mA	
200mA	
<0.01mA	
-	
-	
<1.5V	
2KHZ	
0.1ms/0.1ms	
<15%(Sr)	
<1.0%(Sr)	
IP67	
-25°C - +70°C	
<10%(Sr)	
YES	
220mA	
<10ms	
RFI>3V/m / EFT>1KV / ESD>4KV (contact)	
IEC 60947-5-2, Part 7.4.1 / IEC 60947-5-2, Part 7.4.2	
PBT	

<u>FQM1-881.5N-A3U2T</u>	1	<u>FQM1-881.5N-A3U2M</u>
<u>FQM1-881.5N-B3U2T</u>	2	<u>FQM1-881.5N-B3U2M</u>
<u>FQM1-881.5P-A3U2T</u>	3	<u>FQM1-881.5P-A3U2M</u>
<u>FQM1-881.5P-B3U2T</u>	4	<u>FQM1-881.5P-B3U2M</u>
<u>FQM1-881.5C-A2U2T</u>	7	<u>FQM1-881.5C-A2U2M</u>
<u>FQM1-881.5C-B2U2T</u>	8	<u>FQM1-881.5C-B2U2M</u>
<u>IQM1-881.5N-A3U2T</u>	1	<u>IQM1-881.5N-A3U2M</u>
<u>IQM1-881.5N-B3U2T</u>	2	<u>IQM1-881.5N-B3U2M</u>
<u>IQM1-881.5P-A3U2T</u>	3	<u>IQM1-881.5P-A3U2M</u>
<u>IQM1-881.5P-B3U2T</u>	4	<u>IQM1-881.5P-B3U2M</u>



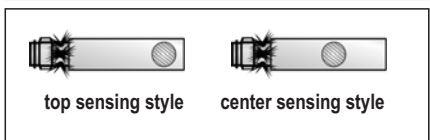
<b>3.0 φ3X0.15</b>
Approx.38 g

<b>Q8</b>
●
1.5 mm
die-cast
●



10-30VDC or 5-36VDC	
<10%	
<10mA	
200mA	
<0.01mA	
-	
-	
<1.5V	
2KHZ	
0.1ms/0.1ms	
<15%(Sr)	
<1.0%(Sr)	
IP67	
-25°C - +70°C	
<10%(Sr)	
YES	
220mA	
<10ms	
RFI>3V/m / EFT>1KV / ESD>4KV (contact)	
IEC 60947-5-2, Part 7.4.1 / IEC 60947-5-2, Part 7.4.2	
PBT	

<u>FQM1-881.5N-ACU3T</u>	29	<u>FQM1-881.5N-ACU3M</u>
<u>FQM1-881.5N-BCU3T</u>	29	<u>FQM1-881.5N-BCU3M</u>
<u>FQM1-881.5P-ACU3T</u>	30	<u>FQM1-881.5P-ACU3M</u>
<u>FQM1-881.5P-BCU3T</u>	30	<u>FQM1-881.5P-BCU3M</u>
<u>FQM1-881.5C-ACU3T</u>	39	<u>FQM1-881.5C-ACU3M</u>
<u>FQM1-881.5C-BCU3T</u>	77	<u>FQM1-881.5C-BCU3M</u>
<u>IQM1-881.5N-ACU3T</u>	29	<u>IQM1-881.5N-ACU3M</u>
<u>IQM1-881.5N-BCU3T</u>	29	<u>IQM1-881.5N-BCU3M</u>
<u>IQM1-881.5P-ACU3T</u>	30	<u>IQM1-881.5P-ACU3M</u>
<u>IQM1-881.5P-BCU3T</u>	30	<u>IQM1-881.5P-BCU3M</u>



<b>3.0 φ3X0.15</b>
Approx.38 g

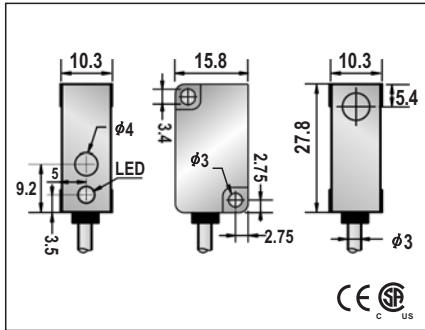
Note:  
Coming Soon : Part numbers with underline



## DC INDUCTIVE PROXIMITY SWITCH SQUARE TYPE

DC INDUCTIVE PROXIMITY SWITCH SQUARE TYPE

Q16x28x10	
●	○
1 mm	2 mm
die-cast	
●	



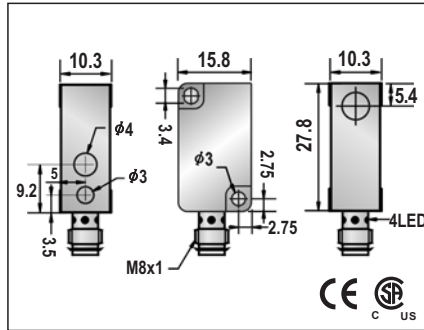
<b>10-30VDC or 5-36VDC</b>	
<10%	
<10mA	
200mA	
<0.01mA	
-	
<1.5V	
2KHZ	
0.1ms/0.1ms	
<15%(Sr)	
<1.0%(Sr)	
IP67	
-25°C - +70°C	
<10%(Sr)	
YES	
220mA	
<10ms	
RFI>3V/m / EFT>1KV / ESD>4KV (contact)	
IEC 60947-5-2,Part 7.4.1 / IEC 60947-5-2,Part 7.4.2	
POM	

<u>FQM1-2801N-A3U2</u>	1	<u>FQM2-2802N-A3U2</u>
<u>FQM1-2801N-B3U2</u>	2	<u>FQM2-2802N-B3U2</u>
<u>FQM1-2801P-A3U2</u>	3	<u>FQM2-2802P-A3U2</u>
<u>FQM1-2801P-B3U2</u>	4	<u>FQM2-2802P-B3U2</u>
<u>FQM1-2801C-A2U2</u>	7	<u>FQM2-2802C-A2U2</u>
<u>FQM1-2801C-B2U2</u>	8	<u>FQM2-2802C-B2U2</u>
<u>IQM1-2801N-A3U2</u>	1	<u>IQM2-2802N-A3U2</u>
<u>IQM1-2801N-B3U2</u>	2	<u>IQM2-2802N-B3U2</u>
<u>IQM1-2801P-A3U2</u>	3	<u>IQM2-2802P-A3U2</u>
<u>IQM1-2801P-B3U2</u>	4	<u>IQM2-2802P-B3U2</u>

Please see Page 18 for details and specifications of DC 2-Wire models on this page.

<b>3.0 φ3X0.15</b>
Approx.60 g

Q16x28x10	
●	○
1 mm	2 mm
die-cast	
●	



<b>10-30VDC or 5-36VDC</b>	
<10%	
<10mA	
200mA	
<0.01mA	
-	
<1.5V	
2KHZ	
0.1ms/0.1ms	
<15%(Sr)	
<1.0%(Sr)	
IP67	
-25°C - +70°C	
<10%(Sr)	
YES	
220mA	
<10ms	
RFI>3V/m / EFT>1KV / ESD>4KV (contact)	
IEC 60947-5-2,Part 7.4.1 / IEC 60947-5-2,Part 7.4.2	
POM	

<u>FQM1-2801N-ACU3</u>	29	<u>FQM2-2802N-ACU3</u>
<u>FQM1-2801N-BCU3</u>	29	<u>FQM2-2802N-BCU3</u>
<u>FQM1-2801P-ACU3</u>	30	<u>FQM2-2802P-ACU3</u>
<u>FQM1-2801P-BCU3</u>	30	<u>FQM2-2802P-BCU3</u>
<u>FQM1-2801C-ACU3</u>	39	<u>FQM2-2802C-ACU3</u>
<u>FQM1-2801C-BCU3</u>	77	<u>FQM2-2802C-BCU3</u>
<u>IQM1-2801N-ACU3</u>	29	<u>IQM2-2802N-ACU3</u>
<u>IQM1-2801N-BCU3</u>	29	<u>IQM2-2802N-BCU3</u>
<u>IQM1-2801P-ACU3</u>	30	<u>IQM2-2802P-ACU3</u>
<u>IQM1-2801P-BCU3</u>	30	<u>IQM2-2802P-BCU3</u>

Please see Page 18 for details and specifications of DC 2-Wire models on this page.

<b>3.0 φ3X0.15</b>
Approx.60 g

Note:  
Coming Soon : Part numbers with underline