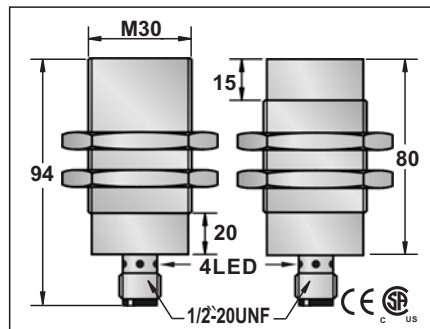


AC/DC INDUCTIVE PROXIMITY SWITCH CONNECTOR TYPE

AC/DC INDUCTIVE PROXIMITY SWITCH
CONNECTOR TYPE

M 30	
●	○
10 mm	15 mm
stainless steel or nickel plated brass	

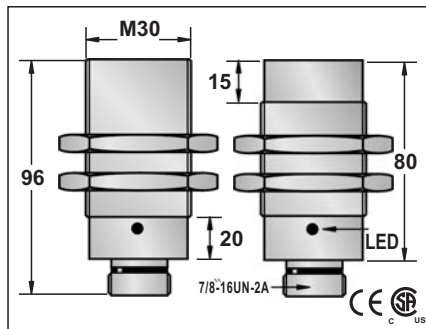


20-250 VAC, 50-60 Hz; 20-250 VDC
DC RIPPLE <10%
<2.5mA
200mA
<2.5mA
2.2A for 20ms
5mA
<=10 VAC ; <=8 VDC
25HZ AC; 40 Hz DC
10ms/10ms
<15% (Sr)
<1.0% (Sr)
IP67
-25°C - +70°C
<10% (Sr)
YES
-
RFI>3V/m / EFT>1KV / ESD>4KV (contact)
IEC 60947-5-2,Part 7.4.1 / IEC 60947-5-2,Part 7.4.2
PBT

FCM1-3010U-AUL3	56	FCM2-3015U-AUL3
FCM1-3010U-BUL3	56	FCM2-3015U-BUL3

Approx.147 g	Approx.137 g
--------------	--------------

M 30	
●	○
10 mm	15 mm
stainless steel or nickel plated brass	

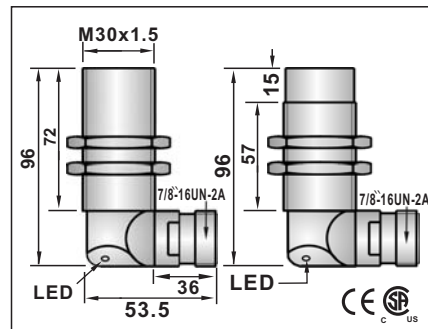


20-250 VAC, 50-60 Hz; 20-250 VDC
DC RIPPLE <10%
<2.5mA
200mA
<2.5mA
2.2A for 20ms
5mA
<=10 VAC ; <=8 VDC
25HZ AC; 40 Hz DC
10ms/10ms
<15% (Sr)
<1.0% (Sr)
IP67
-25°C - +70°C
<10% (Sr)
YES
-
RFI>3V/m / EFT>1KV / ESD>4KV (contact)
IEC 60947-5-2,Part 7.4.1 / IEC 60947-5-2,Part 7.4.2
PBT

FCM1-3010U-AZL3	66	FCM2-3015U-AZL3
FCM1-3010U-BZL3	66	FCM2-3015U-BZL3

Approx.187 g	Approx.179 g
--------------	--------------

M 30	
●	○
10 mm	15 mm
stainless steel or nickel plated brass	



20-250 VAC, 50-60 Hz; 20-250 VDC
DC RIPPLE <10%
<2.5mA
200mA
<2.5mA
2.2A for 20ms
5mA
<=10 VAC ; <=8 VDC
25HZ AC; 40 Hz DC
10ms/10ms
<15% (Sr)
<1.0% (Sr)
IP67
-25°C - +70°C
<10% (Sr)
YES
-
RFI>3V/m / EFT>1KV / ESD>4KV (contact)
IEC 60947-5-2,Part 7.4.1 / IEC 60947-5-2,Part 7.4.2
PBT

FCM1-3010U-AZL3Y	66	FCM2-3015U-AZL3Y
FCM1-3010U-BZL3Y	66	FCM2-3015U-BZL3Y

Approx.311 g	Approx.356 g
--------------	--------------

FCM*-****-*Z***
 Z=7/8-16UN2A
 U=1/2-20UNF