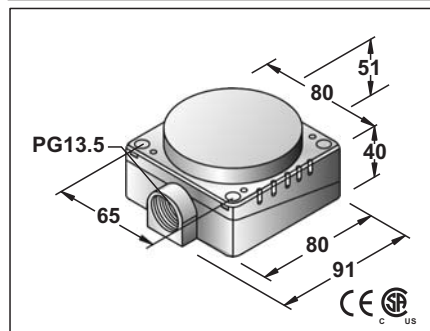


AC CAPACITIVE PROXIMITY SWITCH PLASTIC HOUSING SQUARE TYPE

| |
|---------------------|
| Q80 |
| ○ |
| 5-50mm (adjustable) |
| PBT RESIN |
| ● |



| |
|---|
| 20-250VAC |
| - |
| <2.5mA |
| 300mA |
| 2.5mA |
| 5A |
| 5mA |
| <9VAC AT 300MA |
| <25HZ |
| 10ms/10ms |
| <15%(Sr) |
| <5%(Sr) |
| IP67 |
| -25°C - + 70°C |
| <10%(Sr) |
| - |
| - |
| <25ms |
| RFI>3V/m / EFT>1KV / ESD>4KV (contact) |
| IEC 60947-5-2, Part 7.4.1 / IEC 60947-5-2, Part 7.4.2 |
| PBT |

| | |
|------------------------|----|
| | |
| | |
| | |
| | |
| | |
| | |
| | |
| | |
| | |
| | |
| | |
| | |
| <u>CQP2-8050A-A2LT</u> | 9 |
| <u>CQP2-8050A-B2LT</u> | 10 |
| | |
| | |
| | |

| |
|-------------|
| |
| 4∅3x0.15 |
| approx.100g |

Note:
Coming Soon : Part numbers with underline

AC CAPACITIVE PROXIMITY SWITCH
SQUARE TYPE