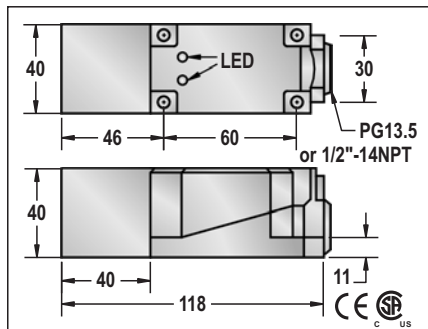


AC HIGH TEMPERATURE 5 WAY ROTATABLE SENSING HEAD

AC HIGH TEMPERATURE 5 WAY ROTATABLE SENSING HEAD

Q 40
●
15 mm
PBT RESIN
●

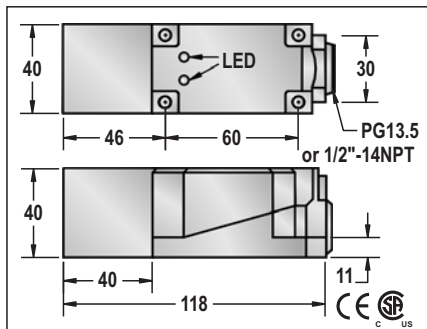


20-250VAC
-
<1.8mA
400mA
1.8mA
5A(20ms)
5mA
<8VAC at 400mA
<25Hz
10ms/10ms
<15%
<1.0%(Sr)
IP67
- 25 °C - +100 °C
<10%(Sr)
-
-
-
RFI>3V/m / EFT>1KV / ESD>4KV (contact)
IEC 60947-5-2,Part 7.4.1 / IEC 60947-5-2,Part 7.4.2
PBT

TQP1-4015A-C4L	14
----------------	----

approx.242g

Q 40
○
20 mm
PBT RESIN
●

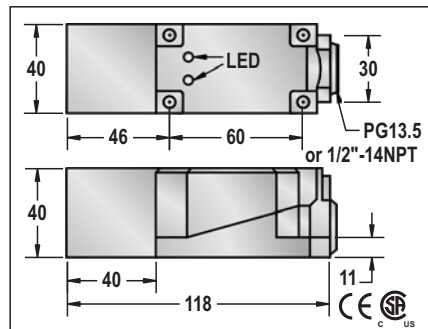


20-250VAC
-
<1.8mA
400mA
1.8mA
5A(20ms)
5mA
<8VAC at 400mA
<25Hz
10ms/10ms
<15%
<1.0%(Sr)
IP67
- 25 °C - +100 °C
<10%(Sr)
-
-
-
RFI>3V/m / EFT>1KV / ESD>4KV (contact)
IEC 60947-5-2,Part 7.4.1 / IEC 60947-5-2,Part 7.4.2
PBT

TQP2-4020A-C4L	14
----------------	----

approx.242g

Q 40
○
30 mm
PBT RESIN
●



20-250VAC
-
<1.8mA
400mA
1.8mA
5A(20ms)
5mA
<8VAC at 400mA
<25Hz
10ms/10ms
<15%
<1.0%(Sr)
IP67
- 25 °C - +100 °C
<10%(Sr)
-
-
-
RFI>3V/m / EFT>1KV / ESD>4KV (contact)
IEC 60947-5-2,Part 7.4.1 / IEC 60947-5-2,Part 7.4.2
PBT

TQP2-4030A-C4L	14
----------------	----

approx.242g
