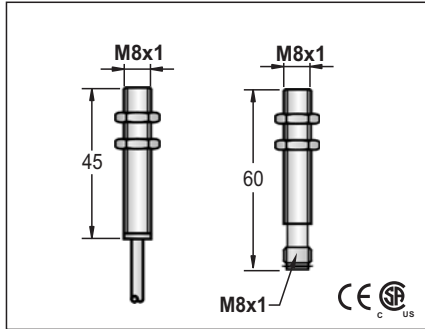
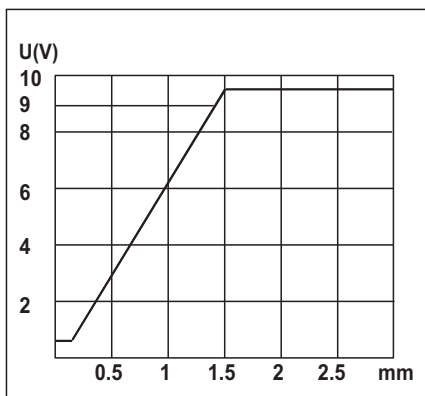


## INDUCTIVE VOLTAGE OUTPUT ANALOG SENSOR

M 8
●
0.1-1.5 mm
Nickel plated brass
○



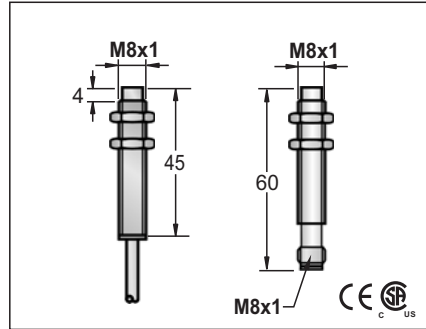
18-30VDC
<10%
<35mA
0-10VDC / ≥2KΩ
-
<5%(Sr)
0.02mm
0 °C-70 °C
5%(Sr)
NO
YES
IP67
PNP-ANALOG
100Hz
-
RFI>3V/m / EFT>1KV / ESD>4KV (contact)
IEC 60947-5-2,Part 7.4.1 / IEC 60947-5-2,Part 7.4.2
PBT



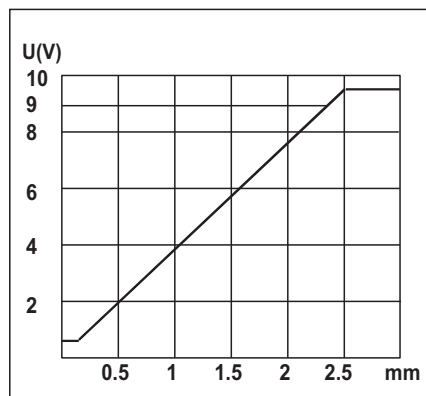
<u>FCM1-081.5G-V3U2</u>	20	<u>FCM1-081.5G-VCU3</u>	81

3φ 3x0.15	—
approx.40g	approx.15g

M 8
○
0.1-2.5 mm
Nickel plated brass
○



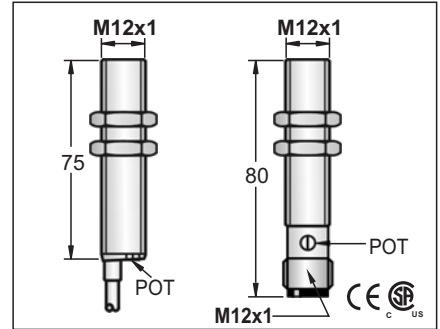
18-30VDC
<10%
<35mA
0-10VDC / ≥2K
-
<5%(Sr)
0.02mm
0 °C-70 °C
5%(Sr)
NO
YES
IP67
PNP-ANALOG
100Hz
-
RFI>3V/m / EFT>1KV / ESD>4KV (contact)
IEC 60947-5-2,Part 7.4.1 / IEC 60947-5-2,Part 7.4.2
PBT



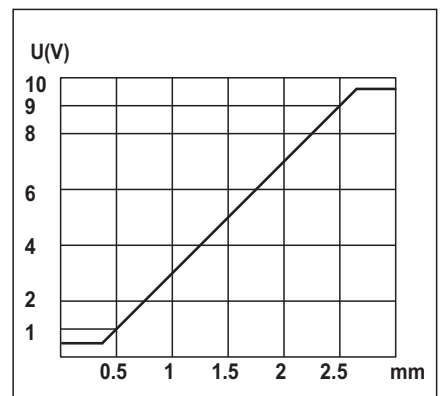
<u>FCM2-082.5G-V3U2</u>	20	<u>FCM2-082.5G-VCU3</u>	81

3φ 3x0.15	—
approx.40g	approx.15g

M 12
●
0.3-2.5 mm
Nickel plated brass
○



18-30VDC
<10%
<35mA
0-10VDC / ≥2K
-
<5%(Sr)
0.02mm
0 °C-70 °C
5%(Sr)
NO
YES
IP67
PNP-ANALOG
100Hz
-
RFI>3V/m / EFT>1KV / ESD>4KV (contact)
IEC 60947-5-2,Part 7.4.1 / IEC 60947-5-2,Part 7.4.2
PBT



<u>FCM1-122.5G-V3U2</u>	20	<u>FCM1-122.5G-VRU4</u>	84

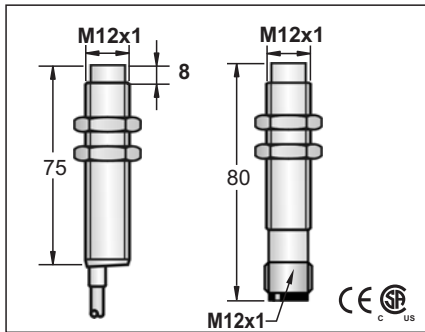
4φ 3x0.15	—
approx.67g	approx.30g

Note:  
Coming Soon : Part numbers with underline

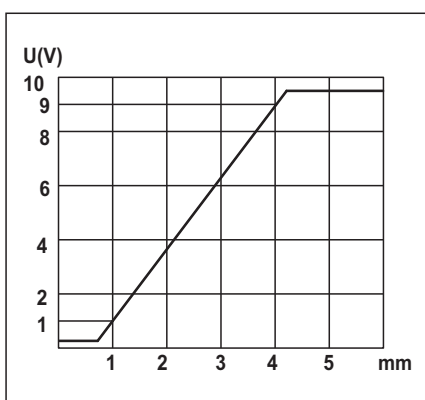
# M12、M18

## INDUCTIVE VOLTAGE OUTPUT ANALOG SENSOR

M 12
○
1-4 mm
Nickel plated brass
○



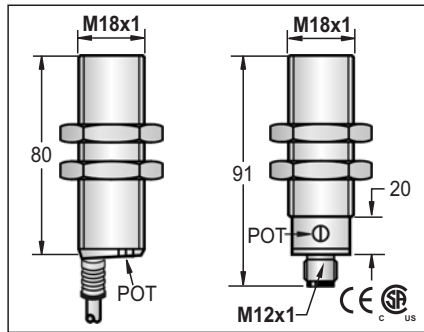
18-30VDC
<10%
<35mA
0-10VDC / $\geq 2K\Omega$
-
<5%(Sr)
0.02mm
0 °C-70 °C
5%(Sr)
NO
YES
IP67
PNP-ANALOG
100Hz
-
RFI>3V/m / EFT>1KV / ESD>4KV (contact)
IEC 60947-5-2,Part 7.4.1 / IEC 60947-5-2,Part 7.4.2
PBT



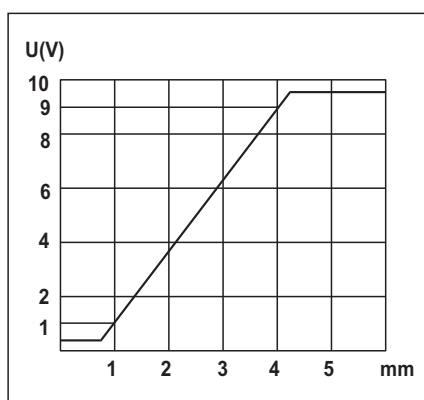
FCM2-1204G-V3U2	20	FCM2-1204G-VRU4	81

4 $\phi$ 3x0.15	—
approx.67g	approx.30g

M 18
●
1-4 mm
Nickel plated brass
○



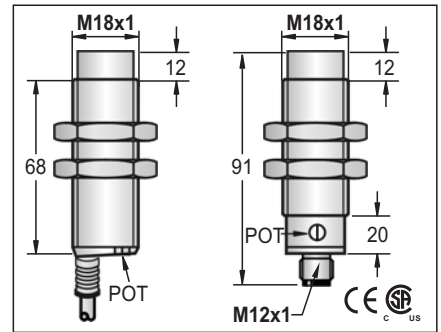
18-30VDC
<10%
15mA
0-10VDC / $\geq 4.7K\Omega$
-
<10%(Sr)
0.02mm
0 °C-70 °C
5%(Sr)
NO
YES
IP67
PNP-ANALOG
100Hz
-
RFI>3V/m / EFT>1KV / ESD>4KV (contact)
IEC 60947-5-2,Part 7.4.1 / IEC 60947-5-2,Part 7.4.2
PBT



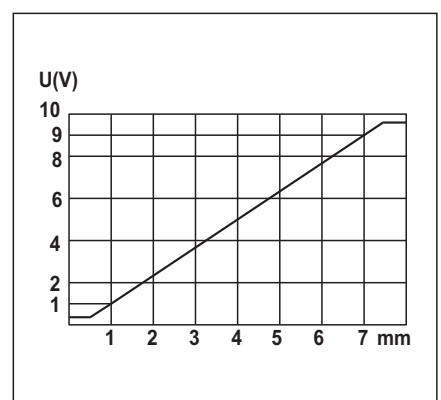
FCM1-1804G-V3U2	20	FCM1-1804G-VRU4	81

5.0 $\phi$ 44x0.1	—
approx.142g	approx.60g

M 18
○
1-7 mm
Nickel plated brass
○



18-30VDC
<10%
15mA
0-10VDC / $\geq 4.7K\Omega$
-
<10%(Sr)
0.02mm
0 °C-70 °C
5%(Sr)
NO
YES
IP67
PNP-ANALOG
100Hz
-
RFI>3V/m / EFT>1KV / ESD>4KV (contact)
IEC 60947-5-2,Part 7.4.1 / IEC 60947-5-2,Part 7.4.2
PBT



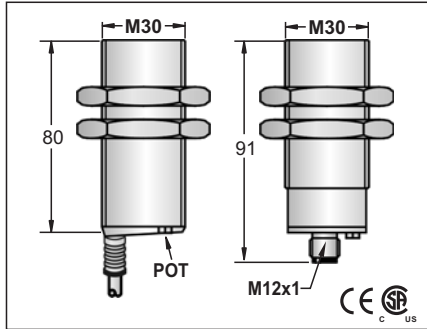
FCM2-1807G-V3U2	20	FCM2-1807G-VRU4	81

5.0 $\phi$ 44x0.1	—
approx.142g	approx.60g

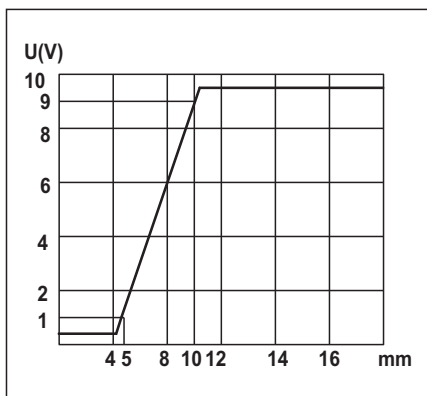
INDUCTIVE VOLTAGE OUTPUT ANALOG SENSOR

## INDUCTIVE VOLTAGE OUTPUT ANALOG SENSOR

M 30
●
5-10mm
Nickel plated brass
○



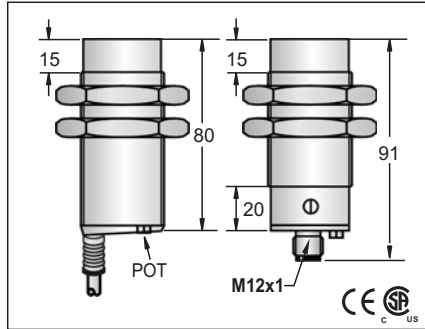
18-30VDC
<10%
15mA
0-10VDC / $\geq 4.7K\Omega$
-
<10%(Sr)
0.02mm
0 °C-70 °C
5%(Sr)
NO
YES
IP67
PNP-ANALOG
100Hz
-
RFI>3V/m / EFT>1KV / ESD>4KV (contact)
IEC 60947-5-2,Part 7.4.1 / IEC 60947-5-2,Part 7.4.2
PBT



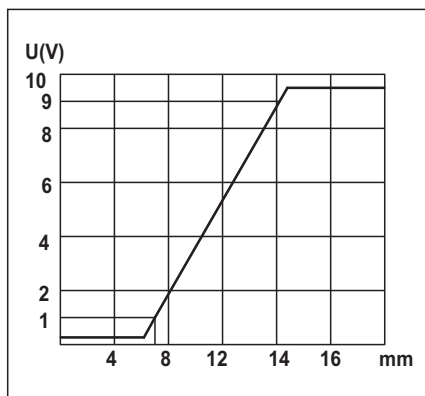
FCM1-3010G-V3U2	20	FCM1-3010G-VRU4	81


5.8 $\phi$ 3x0.5	-
approx.252g	approx.110g

M 30
○
7-14mm
Nickel plated brass
○



18-30VDC
<10%
15mA
0-10VDC / $\geq 4.7K\Omega$
-
<10%(Sr)
0.02mm
0 °C-70 °C
5%(Sr)
NO
YES
IP67
PNP-ANALOG
100Hz
-
RFI>3V/m / EFT>1KV / ESD>4KV (contact)
IEC 60947-5-2,Part 7.4.1 / IEC 60947-5-2,Part 7.4.2
PBT



FCM2-3014G-V3U2	20	FCM2-3014G-VRU4	81


5.8 $\phi$ 3x0.5	-
approx.246g	approx.110g