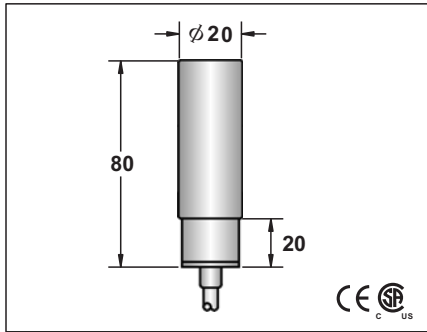


NAMUR CAPACITIVE PLASTIC HOUSING PROXIMITY SWITCH

ϕ 20
○
3-10 mm
PBT RESIN
○

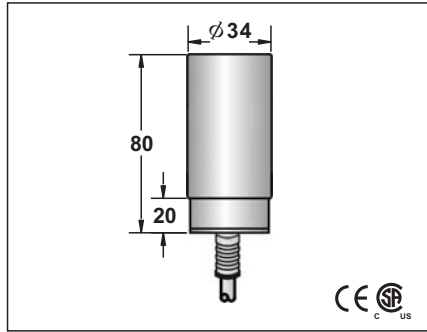


6-12VDC	
>2.2mA(ON)	<1.1mA(OFF)
-	-
-	-
-	-
-	-
-	-
100HZ	100HZ
1ms/1ms	1ms/1ms
<15%	<15%
<1.0%(Sr)	<1.0%(Sr)
IP67	IP67
-25°C- +70°C	-25°C- +70°C
<5%(Sr)	<5%(Sr)
-	-
-	-
-	-
RFI>3V/m / EFT>1KV / ESD>4KV (contact)	RFI>3V/m / EFT>1KV / ESD>4KV (contact)
IEC 60947-5-2,Part 7.4.1 / IEC 60947-5-2,Part 7.4.2	IEC 60947-5-2,Part 7.4.1 / IEC 60947-5-2,Part 7.4.2
POM	PBT

<u>CCP2-D2010NU</u>	21

5.8 ϕ 2x0.5
approx.153g

ϕ 34
○
3-20 mm
PBT RESIN
○

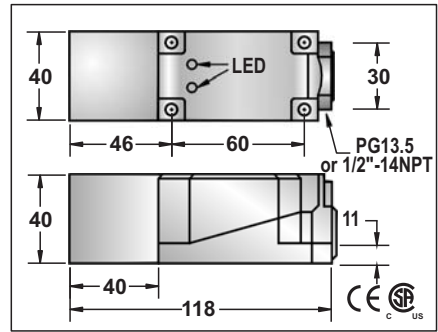


6-12VDC	
>2.2mA(ON)	<1.1mA(OFF)
-	-
-	-
-	-
-	-
-	-
100HZ	100HZ
1ms/1ms	1ms/1ms
<15%	<15%
<1.0%(Sr)	<1.0%(Sr)
IP67	IP67
-25°C- +70°C	-25°C- +70°C
<5%(Sr)	<5%(Sr)
-	-
-	-
-	-
RFI>3V/m / EFT>1KV / ESD>4KV (contact)	RFI>3V/m / EFT>1KV / ESD>4KV (contact)
IEC 60947-5-2,Part 7.4.1 / IEC 60947-5-2,Part 7.4.2	IEC 60947-5-2,Part 7.4.1 / IEC 60947-5-2,Part 7.4.2
PBT	PBT

<u>CCP2-D3420NU</u>	21

5.8 ϕ 2x0.5
approx.259g

Q 40		
●	○	○
15 mm	20 mm	30 mm
PBT		
○		



6-12VDC	
>2.2mA(ON)	<1.1mA(OFF)
-	-
-	-
-	-
-	-
-	-
100HZ	100HZ
1ms/1ms	1ms/1ms
<15%	<15%
<1.0%(Sr)	<1.0%(Sr)
IP67	IP67
-25°C- +70°C	-25°C- +70°C
<5%(Sr)	<5%(Sr)
-	-
-	-
-	-
RFI>3V/m / EFT>1KV / ESD>4KV (contact)	RFI>3V/m / EFT>1KV / ESD>4KV (contact)
IEC 60947-5-2,Part 7.4.1 / IEC 60947-5-2,Part 7.4.2	IEC 60947-5-2,Part 7.4.1 / IEC 60947-5-2,Part 7.4.2
PBT	PBT

<u>CQP1-4015NU</u>	<u>CQP2-4020NU</u>	<u>CQP2-4030NU</u>	21

approx.242g			
-------------	--	--	--

Note:
Coming Soon : Part numbers with underline

NAMUR CAPACITIVE PLASTIC HOUSING PROXIMITY SWITCH