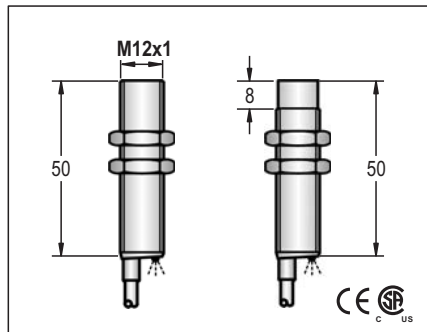


DC METAL FACE INDUCTIVE PROXIMITY SWITCH

M 12	
●	○
2 mm	4 mm
stainless steel	
●	

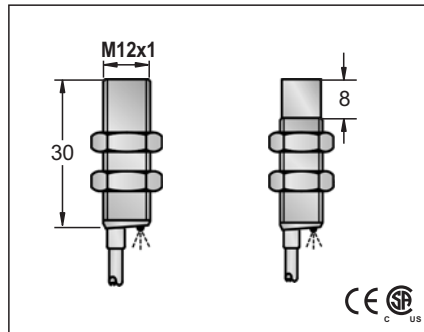


10-30VDC or 10-55VDC	
<10%	
<10mA	<20mA
200mA	
<0.01mA	
-	
<1.5V or <1.0V or <2.0V	
2KHZ	1KHZ
0.1ms/0.1ms	0.2ms/0.2ms
<15%(Sr)	
<1.0%(Sr)	
IP67	
-25°C - +70°C	
<10%(Sr)	
YES	
220mA	
<10ms	
RFI>3V/m / EFT>1KV / ESD>4KV (contact)	
IEC 60947-5-2, Part 7.4.1 / IEC 60947-5-2, Part 7.4.2	
Stainless steel	

FCS1-1202N-A3U2	1	FCS2-1204N-A3U2
FCS1-1202N-B3U2	2	FCS2-1204N-B3U2
FCS1-1202P-A3U2	3	FCS2-1204P-A3U2
FCS1-1202P-B3U2	4	FCS2-1204P-B3U2
FCS1-1202P-S4U2	6	FCS2-1204P-S4U2
FCS1-1202N-S4U2	5	FCS2-1204N-S4U2
FCS1-1202C-A2U2	7	FCS2-1204C-A2U2
FCS1-1202C-B2U2	8	FCS2-1204C-B2U2
HCS1-1202N-A3U2	1	HCS2-1204N-A3U2
HCS1-1202N-B3U2	2	HCS2-1204N-B3U2
HCS1-1202P-A3U2	3	HCS2-1204P-A3U2
HCS1-1202P-B3U2	4	HCS2-1204P-B3U2

4 ∅3x0.15	
approx.67 g	approx.65 g

M 12	
●	○
2 mm	4 mm
stainless steel	
●	

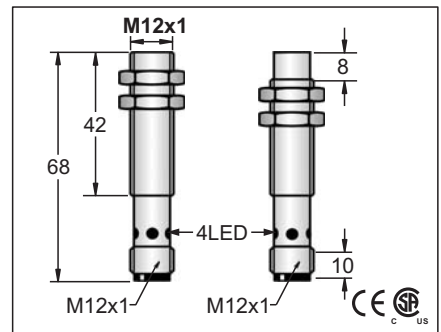


10-30VDC or 10-55VDC	
<10%	
<10mA	<20mA
200mA	
<0.01mA	
-	
<1.5V or <1.0V or <2.0V	
2KHZ	1KHZ
0.1ms/0.1ms	0.2ms/0.2ms
<15%(Sr)	
<1.0%(Sr)	
IP67	
-25°C - +70°C	
<10%(Sr)	
YES	
220mA	
<10ms	
RFI>3V/m / EFT>1KV / ESD>4KV (contact)	
IEC 60947-5-2, Part 7.4.1 / IEC 60947-5-2, Part 7.4.2	
Stainless steel	

FCS1-1202N-A3S2	1	FCS2-1204N-A3S2
FCS1-1202N-B3S2	2	FCS2-1204N-B3S2
FCS1-1202P-A3S2	3	FCS2-1204P-A3S2
FCS1-1202P-B3S2	4	FCS2-1204P-B3S2
FCS1-1202P-S4S2	6	FCS2-1204P-S4S2
FCS1-1202N-S4S2	5	FCS2-1204N-S4S2
FCS1-1202C-A2S2	7	FCS2-1204C-A2S2
FCS1-1202C-B2S2	8	FCS2-1204C-B2S2
HCS1-1202N-A3S2	1	HCS2-1204N-A3S2
HCS1-1202N-B3S2	2	HCS2-1204N-B3S2
HCS1-1202P-A3S2	3	HCS2-1204P-A3S2
HCS1-1202P-B3S2	4	HCS2-1204P-B3S2

Please see Page 18 for details and specifications of DC 2-Wire models on this page.	
approx.31 g	approx.30 g

M 12	
●	○
2 mm	4 mm
stainless steel	
●	



10-30VDC or 10-55VDC	
<10%	
<10mA	<20mA
200mA	
<0.01mA	
-	
<1.5V or <1.0V or <2.0V	
2KHZ	1KHZ
0.1ms/0.1ms	0.2ms/0.2ms
<15%(Sr)	
<1.0%(Sr)	
IP67	
-25°C - +70°C	
<10%(Sr)	
YES	
220mA	
<10ms	
RFI>3V/m / EFT>1KV / ESD>4KV (contact)	
IEC 60947-5-2, Part 7.4.1 / IEC 60947-5-2, Part 7.4.2	
Stainless steel	

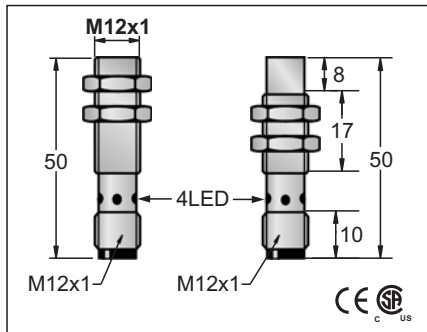
FCS1-1202N-ARU4	33	FCS2-1204N-ARU4
FCS1-1202N-BRU4	34	FCS2-1204N-BRU4
FCS1-1202P-ARU4	35	FCS2-1204P-ARU4
FCS1-1202P-BRU4	36	FCS2-1204P-BRU4
FCS1-1202P-SRU4	38	FCS2-1204P-SRU4
FCS1-1202N-SRU4	37	FCS2-1204N-SRU4
FCS1-1202C-ARU4	40	FCS2-1204C-ARU4
FCS1-1202C-BRU4	78	FCS2-1204C-BRU4
HCS1-1202N-ARU4	33	HCS2-1204N-ARU4
HCS1-1202N-BRU4	34	HCS2-1204N-BRU4
HCS1-1202P-ARU4	35	HCS2-1204P-ARU4
HCS1-1202P-BRU4	36	HCS2-1204P-BRU4

5.0 ∅44x0.1	
approx.153 g	approx.144 g

Note:
Coming Soon : Part numbers with underline

DC METAL FACE INDUCTIVE PROXIMITY SWITCH

M 12	
●	○
2 mm	4 mm
stainless steel	
●	

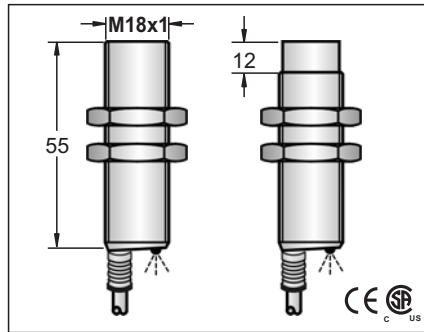


10-30VDC or 10-55VDC	
<10%	
<10mA	<20mA
200mA	
<0.01mA	
-	
<1.5V or <1.0V or <2.0V	
2KHZ	1KHZ
0.1ms/0.1ms	0.2ms/0.2ms
<15%(Sr)	
<1.0%(Sr)	
IP67	
-25°C - +70°C	
<10%(Sr)	
YES	
220mA	
<10ms	
RFI>3V/m / EFT>1KV / ESD>4KV (contact)	
IEC 60947-5-2,Part 7.4.1 / IEC 60947-5-2,Part 7.4.2	
Stainless steel	

FCS1-1202N-ARS4	33	FCS2-1204N-ARS4
FCS1-1202N-BRS4	34	FCS2-1204N-BRS4
FCS1-1202P-ARS4	35	FCS2-1204P-ARS4
FCS1-1202P-BRS4	36	FCS2-1204P-BRS4
FCS1-1202P-SRS4	38	FCS2-1204P-SRS4
FCS1-1202N-SRS4	37	FCS2-1204N-SRS4
FCS1-1202C-ARS4	40	FCS2-1204C-ARS4
FCS1-1202C-BRS4	78	FCS2-1204C-BRS4
HCS1-1202N-ARS4	33	HCS2-1204N-ARS4
HCS1-1202N-BRS4	34	HCS2-1204N-BRS4
HCS1-1202P-ARS4	35	HCS2-1204P-ARS4
HCS1-1202P-BRS4	36	HCS2-1204P-BRS4

Approx.40 g		Approx.38 g	
-------------	--	-------------	--

M 18	
●	○
5 mm	8 mm
stainless steel	
●	



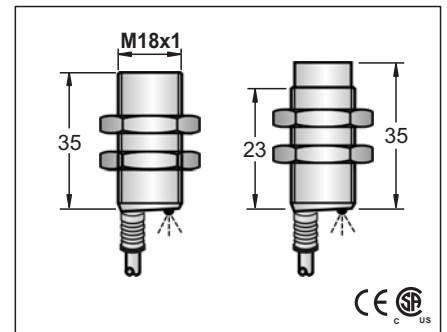
10-30VDC or 10-55VDC	
<10%	
<10mA	<20mA
200mA	
<0.01mA	
-	
<1.5V or <1.0V or <2.0V	
2KHZ	1KHZ
0.1ms/0.1ms	0.2ms/0.2ms
<15%(Sr)	
<1.0%(Sr)	
IP67	
-25°C - +70°C	
<10%(Sr)	
YES	
220mA	
<10ms	
RFI>3V/m / EFT>1KV / ESD>4KV (contact)	
IEC 60947-5-2,Part 7.4.1 / IEC 60947-5-2,Part 7.4.2	
Stainless steel	

FCS1-1805N-A3U2	1	FCS2-1808N-A3U2
FCS1-1805N-B3U2	2	FCS2-1808N-B3U2
FCS1-1805P-A3U2	3	FCS2-1808P-A3U2
FCS1-1805P-B3U2	4	FCS2-1808P-B3U2
FCS1-1805P-S4U2	6	FCS2-1808P-S4U2
FCS1-1805N-S4U2	5	FCS2-1808N-S4U2
FCS1-1805C-A2L2	7	FCS2-1808C-A2L2
FCS1-1805C-B2L2	8	FCS2-1808C-B2L2
HCS1-1805N-A3U2	1	HCS2-1808N-A3U2
HCS1-1805N-B3U2	2	HCS2-1808N-B3U2
HCS1-1805P-A3U2	3	HCS2-1808P-A3U2
HCS1-1805P-B3U2	4	HCS2-1808P-B3U2

4 ∅ 3x0.15		Approx.153 g		Approx.144 g	
------------	--	--------------	--	--------------	--

Please see Page 18 for details and specifications of DC 2-Wire models on this page.

M 18	
●	○
5 mm	8 mm
stainless steel	
●	



10-30VDC or 10-55VDC	
<10%	
<10mA	<20mA
200mA	
<0.01mA	
-	
<1.5V or <1.0V or <2.0V	
2KHZ	1KHZ
0.1ms/0.1ms	0.2ms/0.2ms
<15%(Sr)	
<1.0%(Sr)	
IP67	
-25°C - +70°C	
<10%(Sr)	
YES	
220mA	
<10ms	
RFI>3V/m / EFT>1KV / ESD>4KV (contact)	
IEC 60947-5-2,Part 7.4.1 / IEC 60947-5-2,Part 7.4.2	
Stainless steel	

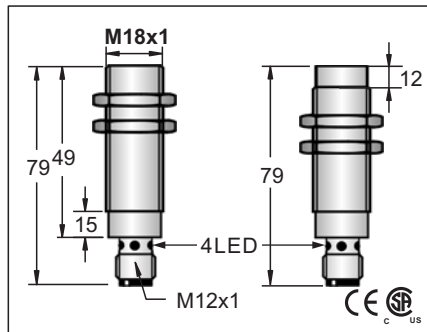
FCS1-1805N-A3S2	1	FCS2-1808N-A3S2
FCS1-1805N-B3S2	2	FCS2-1808N-B3S2
FCS1-1805P-A3S2	3	FCS2-1808P-A3S2
FCS1-1805P-B3S2	4	FCS2-1808P-B3S2
FCS1-1805P-S4S2	6	FCS2-1808P-S4S2
FCS1-1805N-S4S2	5	FCS2-1808N-S4S2
FCS1-1805C-A2S2	7	FCS2-1808C-A2S2
FCS1-1805C-B2S2	8	FCS2-1808C-B2S2
HCS1-1805N-A3S2	1	HCS2-1808N-A3S2
HCS1-1805N-B3S2	2	HCS2-1808N-B3S2
HCS1-1805P-A3S2	3	HCS2-1808P-A3S2
HCS1-1805P-B3S2	4	HCS2-1808P-B3S2

4 ∅ 3x0.15		Approx.110 g		Approx.92 g	
------------	--	--------------	--	-------------	--

Note:
Coming Soon : Part numbers with underline

DC METAL FACE INDUCTIVE PROXIMITY SWITCH

M 18	
●	○
5 mm	8 mm
stainless steel	
●	

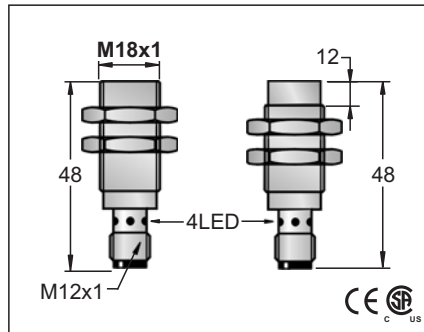


10-30VDC or 10-55VDC	
<10%	
<10mA	<20mA
200mA	
<0.01mA	
-	
<1.5V or <1.0V or <2.0V	
1KHZ	500KHZ
0.2ms/0.2ms	0.5ms/0.5ms
<15%(Sr)	
<1.0%(Sr)	
IP67	
-25°C - +70°C	
<10%(Sr)	
YES	
220mA	
<10ms	
RFI>3V/m / EFT>1KV / ESD>4KV (contact)	
IEC 60947-5-2, Part 7.4.1 / IEC 60947-5-2, Part 7.4.2	
Stainless steel	

FCS1-1805N-ARU4	33	FCS2-1808N-ARU4
FCS1-1805N-BRU4	34	FCS2-1808N-BRU4
FCS1-1805P-ARU4	35	FCS2-1808P-ARU4
FCS1-1805P-BRU4	36	FCS2-1808P-BRU4
FCS1-1805P-SRU4	38	FCS2-1808P-SRU4
FCS1-1805N-SRU4	37	FCS2-1808N-SRU4
FCS1-1805C-ARU4	40	FCS2-1808C-ARU4
FCS1-1805C-BRU4	78	FCS2-1808C-BRU4
HCS1-1805N-ARU4	33	HCS2-1808N-ARU4
HCS1-1805N-BRU4	34	HCS2-1808N-BRU4
HCS1-1805P-ARU4	35	HCS2-1808P-ARU4
HCS1-1805P-BRU4	36	HCS2-1808P-BRU4

Approx.94 g		Approx.91 g	
-------------	--	-------------	--

M 18	
●	○
5 mm	8 mm
stainless steel	
●	



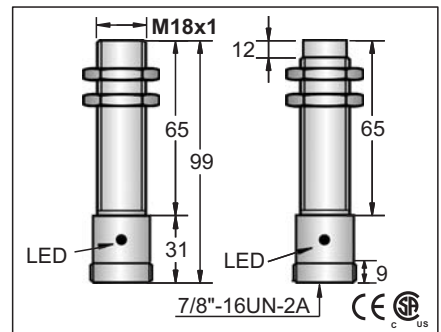
10-30VDC or 10-55VDC	
<10%	
<10mA	<20mA
200mA	
<0.01mA	
-	
<1.5V or <1.0V or <2.0V	
1KHZ	500KHZ
0.2ms/0.2ms	0.5ms/0.5ms
<15%(Sr)	
<1.0%(Sr)	
IP67	
-25°C - +70°C	
<10%(Sr)	
YES	
220mA	
<10ms	
RFI>3V/m / EFT>1KV / ESD>4KV (contact)	
IEC 60947-5-2, Part 7.4.1 / IEC 60947-5-2, Part 7.4.2	
Stainless steel	

FCS1-1805N-ARS4	33	FCS2-1808N-ARS4
FCS1-1805N-BRS4	34	FCS2-1808N-BRS4
FCS1-1805P-ARS4	35	FCS2-1808P-ARS4
FCS1-1805P-BRS4	36	FCS2-1808P-BRS4
FCS1-1805P-SRS4	38	FCS2-1808P-SRS4
FCS1-1805N-SRS4	37	FCS2-1808N-SRS4
FCS1-1805C-ARS4	40	FCS2-1808C-ARS4
FCS1-1805C-BRS4	78	FCS2-1808C-BRS4
HCS1-1805N-ARS4	33	HCS2-1808N-ARS4
HCS1-1805N-BRS4	34	HCS2-1808N-BRS4
HCS1-1805P-ARS4	35	HCS2-1808P-ARS4
HCS1-1805P-BRS4	36	HCS2-1808P-BRS4

Approx.74 g		Approx.70 g	
-------------	--	-------------	--

Please see Page 18 for details and specifications of DC 2-Wire models on this page.

M 18	
●	○
5 mm	8 mm
stainless steel	
●	



10-30VDC or 10-55VDC	
<10%	
<10mA	<20mA
200mA	
<0.01mA	
-	
<1.5V or <1.0V or <2.0V	
1KHZ	500KHZ
0.2ms/0.2ms	0.5ms/0.5ms
<15%(Sr)	
<1.0%(Sr)	
IP67	
-25°C - +70°C	
<10%(Sr)	
YES	
220mA	
<10ms	
RFI>3V/m / EFT>1KV / ESD>4KV (contact)	
IEC 60947-5-2, Part 7.4.1 / IEC 60947-5-2, Part 7.4.2	
Stainless steel	

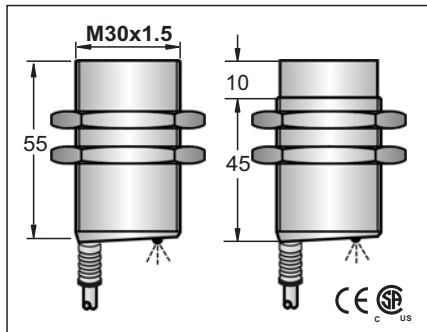
FCS1-1805N-AZU4	41	FCS2-1808N-AZU4
FCS1-1805N-BZU4	42	FCS2-1808N-BZU4
FCS1-1805P-AZU4	43	FCS2-1808P-AZU4
FCS1-1805P-BZU4	44	FCS2-1808P-BZU4
FCS1-1805P-SZU4	46	FCS2-1808P-SZU4
FCS1-1805N-SZU4	45	FCS2-1808N-SZU4
FCS1-1805C-AZU4	47	FCS2-1808C-AZU4
FCS1-1805C-BZU4	47	FCS2-1808C-BZU4
HCS1-1805N-AZU4	41	HCS2-1808N-AZU4
HCS1-1805N-BZU4	42	HCS2-1808N-BZU4
HCS1-1805P-AZU4	43	HCS2-1808P-AZU4
HCS1-1805P-BZU4	44	HCS2-1808P-BZU4

Approx.94 g		Approx.91 g	
-------------	--	-------------	--

Note:
Coming Soon : Part numbers with underline

DC METAL FACE INDUCTIVE PROXIMITY SWITCH

M 30	
●	○
10 mm	15 mm
stainless steel	
●	

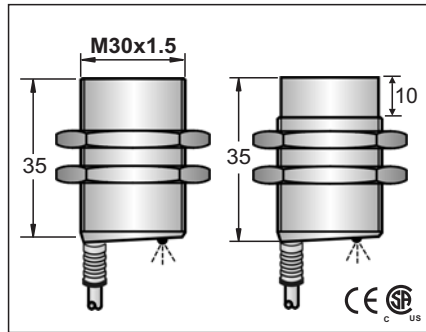


10-30VDC or 10-55VDC	
<10%	
<10mA	<20mA
200mA	
<0.01mA	
-	
<1.5V or <1.0V or <2.0V	
300HZ	150HZ
0.5ms/0.5ms	1ms/1ms
<15%(Sr)	
<1.0%(Sr)	
IP67	
-25°C - +70°C	
<10%(Sr)	
YES	
220mA	
<10ms	
RFI>3V/m / EFT>1KV / ESD>4KV (contact)	
IEC 60947-5-2,Part 7.4.1 / IEC 60947-5-2,Part 7.4.2	
Stainless steel	

FCS1-3010N-A3U2	1	FCS2-3015N-A3U2
FCS1-3010N-B3U2	2	FCS2-3015N-B3U2
FCS1-3010P-A3U2	3	FCS2-3015P-A3U2
FCS1-3010P-B3U2	4	FCS2-3015P-B3U2
FCS1-3010P-S4U2	6	FCS2-3015P-S4U2
FCS1-3010N-S4U2	5	FCS2-3015N-S4U2
FCS1-3010C-A2U2	7	FCS2-3015C-A2U2
FCS1-3010C-B2U2	8	FCS2-3015C-B2U2
HCS1-3010N-A3U2	1	HCS2-3015N-A3U2
HCS1-3010N-B3U2	2	HCS2-3015N-B3U2
HCS1-3010P-A3U2	3	HCS2-3015P-A3U2
HCS1-3010P-B3U2	4	HCS2-3015P-B3U2

5.8 ϕ 3x0.5	
Approx.217 g	Approx.207 g

M 30	
●	○
10 mm	15 mm
stainless steel	
●	



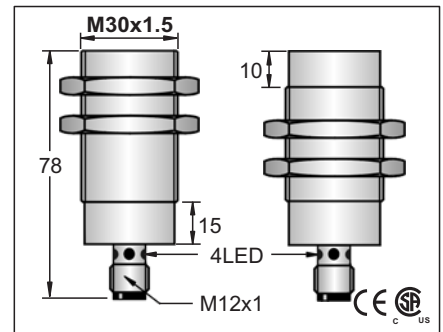
10-30VDC or 10-55VDC	
<10%	
<10mA	<20mA
200mA	
<0.01mA	
-	
<1.5V or <1.0V or <2.0V	
2KHZ	1KHZ
0.5ms/0.5ms	1ms/1ms
<15%(Sr)	
<1.0%(Sr)	
IP67	
-25°C - +70°C	
<10%(Sr)	
YES	
220mA	
<10ms	
RFI>3V/m / EFT>1KV / ESD>4KV (contact)	
IEC 60947-5-2,Part 7.4.1 / IEC 60947-5-2,Part 7.4.2	
Stainless steel	

FCS1-3010N-A3S2	1	FCS2-3015N-A3S2
FCS1-3010N-B3S2	2	FCS2-3015N-B3S2
FCS1-3010P-A3S2	3	FCS2-3015P-A3S2
FCS1-3010P-B3S2	4	FCS2-3015P-B3S2
FCS1-3010P-S4S2	6	FCS2-3015P-S4S2
FCS1-3010N-S4S2	5	FCS2-3015N-S4S2
FCS1-3010C-A2S2	7	FCS2-3015C-A2S2
FCS1-3010C-B2S2	8	FCS2-3015C-B2S2
HCS1-3010N-A3S2	1	HCS2-3015N-A3S2
HCS1-3010N-B3S2	2	HCS2-3015N-B3S2
HCS1-3010P-A3S2	3	HCS2-3015P-A3S2
HCS1-3010P-B3S2	4	HCS2-3015P-B3S2

5.8 ϕ 3x0.5	
Approx.146 g	Approx.138 g

Please see Page 18 for details and specifications of DC 2-Wire models on this page.

M 30	
●	○
10 mm	15 mm
stainless steel	
●	



10-30VDC or 10-55VDC	
<10%	
<10mA	<20mA
200mA	
<0.01mA	
-	
<1.5V or <1.0V or <2.0V	
2KHZ	1 KHZ
0.5ms/0.5ms	1ms/1ms
<15%(Sr)	
<1.0%(Sr)	
IP67	
-25°C - +70°C	
<10%(Sr)	
YES	
220mA	
<10ms	
RFI>3V/m / EFT>1KV / ESD>4KV (contact)	
IEC 60947-5-2,Part 7.4.1 / IEC 60947-5-2,Part 7.4.2	
Stainless steel	

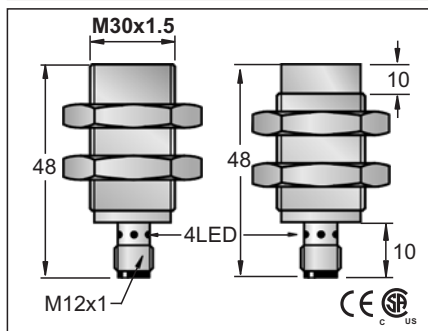
FCS1-3010N-ARU4	33	FCS2-3015N-ARU4
FCS1-3010N-BRU4	34	FCS2-3015N-BRU4
FCS1-3010P-ARU4	35	FCS2-3015P-ARU4
FCS1-3010P-BRU4	36	FCS2-3015P-BRU4
FCS1-3010P-SRU4	38	FCS2-3015P-SRU4
FCS1-3010N-SRU4	37	FCS2-3015N-SRU4
FCS1-3010C-ARU4	40	FCS2-3015C-ARU4
FCS1-3010C-BRU4	78	FCS2-3015C-BRU4
HCS1-3010N-ARU4	33	HCS2-3015N-ARU4
HCS1-3010N-BRU4	34	HCS2-3015N-BRU4
HCS1-3010P-ARU4	35	HCS2-3015P-ARU4
HCS1-3010P-BRU4	36	HCS2-3015P-BRU4

5.8 ϕ 3x0.5	
Approx.187 g	Approx.179 g

Note:
Coming Soon : Part numbers with underline

DC METAL FACE INDUCTIVE PROXIMITY SWITCH

M 30	
●	○
10 mm	15 mm
Stainless steel	
●	

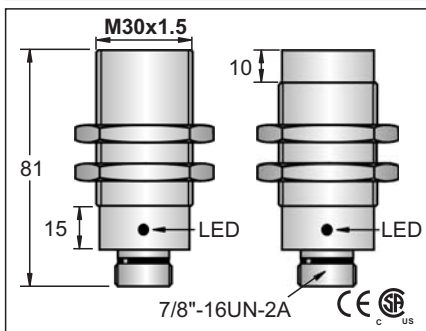


10-30VDC or 10-55VDC	
<10%	
<10mA	<20mA
200mA	
<0.01mA	
-	
<1.5V or <1.0V or <2.0V	
2KHZ	1KHZ
0.5ms/0.5ms	1ms/1ms
<15%(Sr)	
<1.0%(Sr)	
IP67	
-25°C - +70°C	
<10%(Sr)	
YES	
220mA	
<10ms	
RFI>3V/m / EFT>1KV / ESD>4KV (contact)	
IEC 60947-5-2,Part 7.4.1 / IEC 60947-5-2,Part 7.4.2	
Stainless steel	

FCS1-3010N-ARS4	33	FCS2-3015N-ARS4
FCS1-3010N-BRS4	34	FCS2-3015N-BRS4
FCS1-3010P-ARS4	35	FCS2-3015P-ARS4
FCS1-3010P-BRS4	36	FCS2-3015P-BRS4
FCS1-3010P-SRS4	38	FCS2-3015P-SRS4
<u>FCS1-3010N-SRS4</u>	37	<u>FCS2-3015N-SRS4</u>
FCS1-3010C-ARS4	40	FCS2-3015C-ARS4
<u>FCS1-3010C-BRS4</u>	78	<u>FCS2-3015C-BRS4</u>
HCS1-3010N-ARS4	33	HCS2-3015N-ARS4
HCS1-3010N-BRS4	34	HCS2-3015N-BRS4
HCS1-3010P-ARS4	35	HCS2-3015P-ARS4
HCS1-3010P-BRS4	36	HCS2-3015P-BRS4

Approx.200 g	
Approx.200 g	

M 30	
●	○
10 mm	15 mm
Stainless steel	
●	



10-30VDC or 10-55VDC	
<10%	
<10mA	<20mA
200mA	
<0.01mA	
-	
<1.5V or <1.0V or <2.0V	
2KHZ	1KHZ
0.5ms/0.5ms	1ms/1ms
<15%(Sr)	
<1.0%(Sr)	
IP67	
-25°C - +70°C	
<10%(Sr)	
YES	
220mA	
<10ms	
RFI>3V/m / EFT>1KV / ESD>4KV (contact)	
IEC 60947-5-2,Part 7.4.1 / IEC 60947-5-2,Part 7.4.2	
Stainless steel	

FCS1-3010N-AZU4	41	FCS2-3015N-AZU4
FCS1-3010N-BZU4	42	FCS2-3015N-BZU4
FCS1-3010P-AZU4	43	FCS2-3015P-AZU4
FCS1-3010P-BZU4	44	FCS2-3015P-BZU4
FCS1-3010P-SZU4	46	FCS2-3015P-SZU4
<u>FCS1-3010N-SZU4</u>	45	<u>FCS2-3015N-SZU4</u>
FCS1-3010C-AZU4	47	FCS2-3015C-AZU4
<u>FCS1-3010C-BZU4</u>	79	<u>FCS2-3015C-BZU4</u>
HCS1-3010N-AZU4	41	HCS2-3015N-AZU4
HCS1-3010N-BZU4	42	HCS2-3015N-BZU4
HCS1-3010P-AZU4	43	HCS2-3015P-AZU4
HCS1-3010P-BZU4	44	HCS2-3015P-BZU4

Approx.179 g	
Approx.187 g	

Please see Page 18 for details and specifications of DC 2-Wire models on this page.

Note:
Coming Soon : Part numbers with underline