





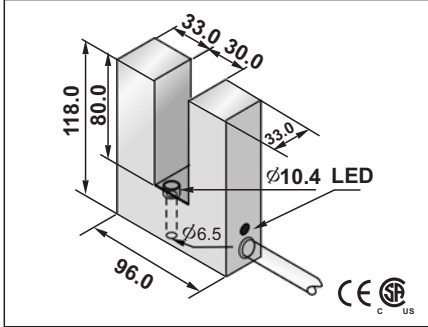






## DC SLOT TYPE INDUCTIVE PROXIMITY SENSORS

|             |
|-------------|
| <b>30mm</b> |
| ○           |
| -           |
| <b>PBT</b>  |
| ●           |



|  |
|--|
| <b>10~30VDC</b>  |
| ≤10%   |
| <10mA  |
| ≤200mA   |
| <0.01mA  |
| -  |
| -  |
| <1.5V  |
| 150HZ  |
| Approx. 60% Insert depth                                   |
| -  |
| <0.02mm  |
| <b>IP67</b>  |
| -25°C to 70°C  |
| -  |
| <b>45mmx45mmx1mm</b>                                       |
| <b>Yes</b>   |
| <b>Yes</b>   |
| <b>220~280mA</b>   |
| <b>RFI&gt;3V/m / EFT&gt;1KV / ESD&gt;4KV (contact)</b>     |
| <b>IEC 60947-5-2,Part 7.4.1 / IEC 60947-5-2,Part 7.4.2</b> |

|                         |          |
|-------------------------|----------|
| <u>UUP2-U3080N-A3U2</u> | <b>1</b> |
| <u>UUP2-U3080N-B3U2</u> | <b>2</b> |
| <u>UUP2-U3080P-A3U2</u> | <b>3</b> |
| <u>UUP2-U3080P-B3U2</u> | <b>4</b> |
| <u>UUP2-U3080P-S4U2</u> | <b>6</b> |
| <u>UUP2-U3080N-S4U2</u> | <b>5</b> |
|                         |          |
|                         |          |
|                         |          |
|                         |          |
|                         |          |
|                         |          |
|                         |          |
|                         |          |
|                         |          |
|                         |          |
|                         |          |
|                         |          |
|                         |          |
|                         |          |
|                         |          |
|                         |          |
|                         |          |
|                         |          |
|                         |          |

|                    |
|--------------------|
| <b>5.8φ</b>        |
| <b>approx.280g</b> |

Note:

Coming Soon : Part numbers with underline

**DC SLOT TYPE INDUCTIVE PROXIMITY  
SENSORS**