

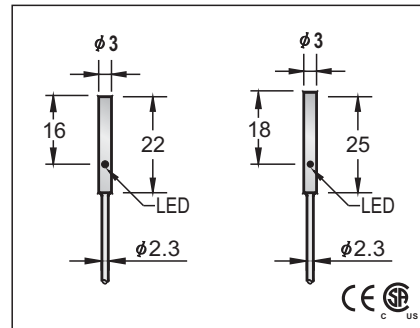
**PART A-01 ~ A-37**

Diameter
● Shielded ○ non-Shielded
Switching Distance Sn mm
Housing Material
● With LED ○ Without LED

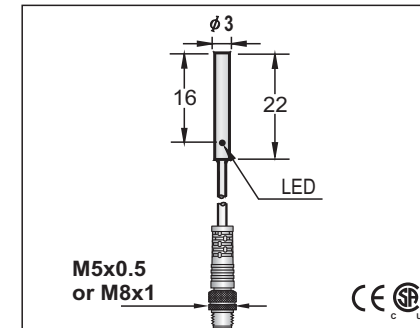
Dimensions (unit: mm)

**DC ULTRA-MINI TYPE INDUCTIVE PROXIMITY SWITCH**

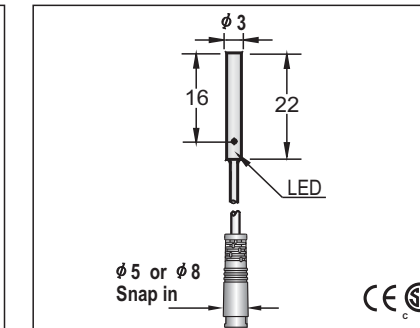
φ 3	φ 3
●	●
0.8 mm	0.8 mm
stainless steel	stainless steel
●	●



φ 3
●
0.8 mm
stainless steel
●



φ 3
●
0.8 mm
stainless steel
●



Operating Voltage	10-30VDC or 5-36VDC
Ripple	<10%
No Load Current	<10mA
Max. Load Current	200mA
Leakage Current	<0.01mA
Surge Current	-
Min. Load Current	-
Voltage Drop	<1.5V
Switching Frequency	2KHZ
Response Time	0.1ms/0.1ms
Switching Hysteresis	<15%(Sr)
Repeat Accuracy	<1.0%(Sr)
Protection Category	IP67
Operating Temperature	-25°C - +70°C
Temperature Drift	<10%(Sr)
Short Circuit Protection	YES
Overload Trip Point	220mA
Time Delay Before Availability	<10ms
EMC	RFI>3V/m / EFT>1KV / ESD>4KV (contact)
Shock / Vibration	IEC 60947-5-2, Part 7.4.1 / IEC 60947-5-2, Part 7.4.2
Material Active Face	POM

Operating Voltage	10-30VDC or 5-36VDC
Ripple	<10%
No Load Current	<10mA
Max. Load Current	200mA
Leakage Current	<0.01mA
Surge Current	-
Min. Load Current	-
Voltage Drop	<1.5V
Switching Frequency	2KHZ
Response Time	0.1ms/0.1ms
Switching Hysteresis	<15%(Sr)
Repeat Accuracy	<1.0%(Sr)
Protection Category	IP67
Operating Temperature	-25°C - +70°C
Temperature Drift	<10%(Sr)
Short Circuit Protection	YES
Overload Trip Point	220mA
Time Delay Before Availability	<10ms
EMC	RFI>3V/m / EFT>1KV / ESD>4KV (contact)
Shock / Vibration	IEC 60947-5-2, Part 7.4.1 / IEC 60947-5-2, Part 7.4.2
Material Active Face	POM

Operating Voltage	10-30VDC or 5-36VDC
Ripple	<10%
No Load Current	<10mA
Max. Load Current	200mA
Leakage Current	<0.01mA
Surge Current	-
Min. Load Current	-
Voltage Drop	<1.5V
Switching Frequency	2KHZ
Response Time	0.1ms/0.1ms
Switching Hysteresis	<15%(Sr)
Repeat Accuracy	<1.0%(Sr)
Protection Category	IP67
Operating Temperature	-25°C - +70°C
Temperature Drift	<10%(Sr)
Short Circuit Protection	YES
Overload Trip Point	220mA
Time Delay Before Availability	<10ms
EMC	RFI>3V/m / EFT>1KV / ESD>4KV (contact)
Shock / Vibration	IEC 60947-5-2, Part 7.4.1 / IEC 60947-5-2, Part 7.4.2
Material Active Face	POM

Operating Voltage	10-30VDC or 5-36VDC
Ripple	<10%
No Load Current	<10mA
Max. Load Current	200mA
Leakage Current	<0.01mA
Surge Current	-
Min. Load Current	-
Voltage Drop	<1.5V
Switching Frequency	2KHZ
Response Time	0.1ms/0.1ms
Switching Hysteresis	<15%(Sr)
Repeat Accuracy	<1.0%(Sr)
Protection Category	IP67
Operating Temperature	-25°C - +70°C
Temperature Drift	<10%(Sr)
Short Circuit Protection	YES
Overload Trip Point	220mA
Time Delay Before Availability	<10ms
EMC	RFI>3V/m / EFT>1KV / ESD>4KV (contact)
Shock / Vibration	IEC 60947-5-2, Part 7.4.1 / IEC 60947-5-2, Part 7.4.2
Material Active Face	POM

DC 3 wire 10-30V NPN N.O.	FCU1-D030.8N-A3S2	1	FCU1-D030.8N-A3U2
DC 3 wire 10-30V NPN N.C.	FCU1-D030.8N-B3S2	2	FCU1-D030.8N-B3U2
DC 3 wire 10-30V PNP N.O.	FCU1-D030.8P-A3S2	3	FCU1-D030.8P-A3U2
DC 3 wire 10-30V PNP N.C.	FCU1-D030.8P-B3S2	4	FCU1-D030.8P-B3U2
DC 4 wire 10-30V Changeover PNP (N.O. & N.C.)			
DC 4 wire 10-30V Changeover NPN (N.O. & N.C.)			
DC 2 wire 10-60V N.O.			
DC 2 wire 10-60V N.C.			
DC 3 wire 10-55V NPN N.O. or NAMUR			
DC 3 wire 10-55V NPN N.C.			
DC 3 wire 10-55V PNP N.O.			
DC 3 wire 10-55V PNP N.C.			
DC 3 wire 5-36V NPN N.O.	ICU1-D030.8N-A3S2	1	ICU1-D030.8N-A3U2
DC 3 wire 5-36V NPN N.C.	ICU1-D030.8N-B3S2	2	ICU1-D030.8N-B3U2
DC 3 wire 5-36V PNP N.O.	ICU1-D030.8P-A3S2	3	ICU1-D030.8P-A3U2
DC 3 wire 5-36V PNP N.C.	ICU1-D030.8P-B3S2	4	ICU1-D030.8P-B3U2
DC 4 wire 5-36V Changeover PNP (N.O. & N.C.)			
DC 4 wire 5-36V Changeover NPN (N.O. & N.C.)			

FCU1-D030.8N-A3S2/P5	25	FCU1-D030.8N-A3S0.2/P8	29
FCU1-D030.8N-B3S2/P5	26	FCU1-D030.8N-B3S0.2/P8	30
FCU1-D030.8P-A3S2/P5	27	FCU1-D030.8P-A3S0.2/P8	31
FCU1-D030.8P-B3S2/P5	28	FCU1-D030.8P-B3S0.2/P8	32
ICU1-D030.8NU/P5	21	ICU1-D030.8NU/P8	21
ICU1-D030.8N-A3S2/P5	25	ICU1-D030.8N-A3S0.2/P8	29
ICU1-D030.8N-B3S2/P5	26	ICU1-D030.8N-B3S0.2/P8	30
ICU1-D030.8P-A3S2/P5	27	ICU1-D030.8P-A3S0.2/P8	31
ICU1-D030.8P-B3S2/P5	28	ICU1-D030.8P-B3S0.2/P8	32

FCU1-D030.8N-A3S2/P5	25	FCU1-D030.8N-A3S0.2/P8	29
FCU1-D030.8N-B3S2/P5	26	FCU1-D030.8N-B3S0.2/P8	30
FCU1-D030.8P-A3S2/P5	27	FCU1-D030.8P-A3S0.2/P8	31
FCU1-D030.8P-B3S2/P5	28	FCU1-D030.8P-B3S0.2/P8	32
ICU1-D030.8NU/P5	21	ICU1-D030.8NU/P8	21
ICU1-D030.8N-A3S2/P5	25	ICU1-D030.8N-A3S0.2/P8	29
ICU1-D030.8N-B3S2/P5	26	ICU1-D030.8N-B3S0.2/P8	30
ICU1-D030.8P-A3S2/P5	27	ICU1-D030.8P-A3S0.2/P8	31
ICU1-D030.8P-B3S2/P5	28	ICU1-D030.8P-B3S0.2/P8	32

FCU1-D030.8N-A3S0.2/SN5	25	FCU1-D030.8N-A3S0.2/SN8	29
FCU1-D030.8N-B3S0.2/SN5	26	FCU1-D030.8N-B3S0.2/SN8	30
FCU1-D030.8P-A3S0.2/SN5	27	FCU1-D030.8P-A3S0.2/SN8	31
FCU1-D030.8P-B3S0.2/SN5	28	FCU1-D030.8P-B3S0.2/SN8	32
ICU1-D030.8NU/SN5	21	ICU1-D030.8NU/SN8	21
ICU1-D030.8N-A3S0.2/SN5	25	ICU1-D030.8N-A3S0.2/SN8	29
ICU1-D030.8N-B3S0.2/SN5	26	ICU1-D030.8N-B3S0.2/SN8	30
ICU1-D030.8P-A3S0.2/SN5	27	ICU1-D030.8P-A3S0.2/SN8	31
ICU1-D030.8P-B3S0.2/SN5	28	ICU1-D030.8P-B3S0.2/SN8	32

Remark
Cable 2M (PVC)
Weight

Wiring diagram number see page 05-13 The following page is the same.
2.3φ 3x0.15
approx.25 g

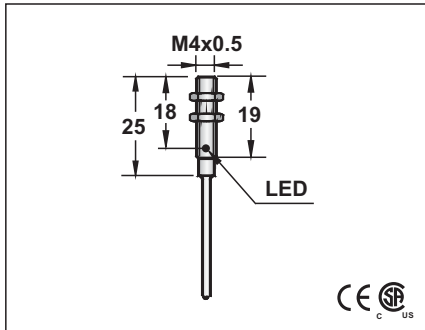
FCU***/P5 └─ M5 Pigtail mode FCU***/P8 └─ M8 Pigtail mode
2.3φ 3x0.15
approx.25 g      Approx.26 g

1、NAMUR type specifications see page 23 2、FCU***/SN5 └─ φ 5 Pigtail mode FCU***/SN8 └─ φ 8 Pigtail mode
2.3φ 3x0.15
approx.25 g      Approx.26 g

Note:  
In preparation: Part numbers with a line through the middle

## DC ULTRA-MINI TYPE INDUCTIVE PROXIMITY SWITCH

<b>M4</b>
●
0.8 mm      1.0 mm
stainless steel
●



10-30VDC or 5-36VDC
<10%
<10mA
200mA
<0.01mA
-
-
<1.5V
2KHZ
0.1ms/0.1ms
<15%(Sr)
<1.0%(Sr)
IP67
-25°C - +70°C
<10%(Sr)
YES
220mA
<10ms
RFI>3V/m / EFT>1KV / ESD>4KV (contact)
IEC 60947-5-2, Part 7.4.1 / IEC 60947-5-2, Part 7.4.2
POM

FCU1-040.8N-A3U2	1	LCU1-0401N-A3U2
FCU1-040.8N-B3U2	2	LCU1-0401N-B3U2
FCU1-040.8P-A3U2	3	LCU1-0401P-A3U2
FCU1-040.8P-B3U2	4	LCU1-0401P-B3U2

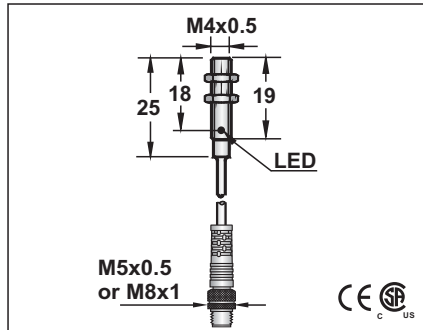
FCU1-040.8NU	21	FCU1-0401NU
--------------	----	-------------

ICU1-040.8N-A3U2	1	ICU1-0401N-A3U2
ICU1-040.8N-B3U2	2	ICU1-0401N-B3U2
ICU1-040.8P-A3U2	3	ICU1-0401P-A3U2
ICU1-040.8P-B3U2	4	ICU1-0401P-B3U2

NAMUR type specifications see page 23

2.3 φ 3x0.15
Approx.22 g

<b>M4</b>
●
0.8 mm
stainless steel
●



10-30VDC or 5-36VDC
<10%
<10mA
200mA
<0.01mA
-
-
<1.5V
2KHZ
0.1ms/0.1ms
<15%(Sr)
<1.0%(Sr)
IP67
-25°C - +70°C
<10%(Sr)
YES
220mA
<10ms
RFI>3V/m / EFT>1KV / ESD>4KV (contact)
IEC 60947-5-2, Part 7.4.1 / IEC 60947-5-2, Part 7.4.2
POM

FCU1-040.8N-A3U0.2/P5	25	FCU1-040.8N-A3U0.2/P8	29
FCU1-040.8N-B3U0.2/P5	26	FCU1-040.8N-B3U0.2/P8	30
FCU1-040.8P-A3U0.2/P5	27	FCU1-040.8P-A3U0.2/P8	31
FCU1-040.8P-B3U0.2/P5	28	FCU1-040.8P-B3U0.2/P8	32

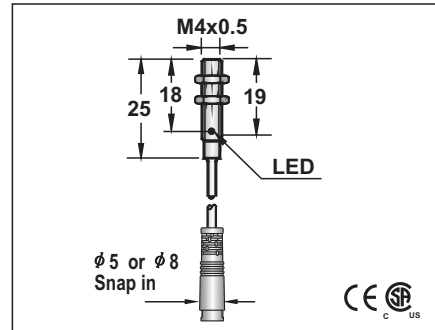
FCU1-040.8NU/P5	21	FCU1-040.8NU/P8	21
-----------------	----	-----------------	----

ICU1-040.8N-A3U0.2/P5	25	ICU1-040.8N-A3U0.2/P8	29
ICU1-040.8N-B3U0.2/P5	26	ICU1-040.8N-B3U0.2/P8	30
ICU1-040.8P-A3U0.2/P5	27	ICU1-040.8P-A3U0.2/P8	31
ICU1-040.8P-B3U0.2/P5	28	ICU1-040.8P-B3U0.2/P8	32

FCU\*\*\*/P5  
└─ M5 Pigtail mode  
FCU\*\*\*/P8  
└─ M8 Pigtail mode

2.3 φ 3x0.15
Approx.30 g      Approx.31 g

<b>M4</b>
●
0.8 mm
stainless steel
●



10-30VDC or 5-36VDC
<10%
<10mA
200mA
<0.01mA
-
-
<1.5V
2KHZ
0.1ms/0.1ms
<15%(Sr)
<1.0%(Sr)
IP67
-25°C - +70°C
<10%(Sr)
YES
220mA
<10ms
RFI>3V/m / EFT>1KV / ESD>4KV (contact)
IEC 60947-5-2, Part 7.4.1 / IEC 60947-5-2, Part 7.4.2
POM

FCU1-040.8N-A3U0.2/SN5	25	FCU1-040.8N-A3U0.2/SN8	29
FCU1-040.8N-B3U0.2/SN5	26	FCU1-040.8N-B3U0.2/SN8	30
FCU1-040.8P-A3U0.2/SN5	27	FCU1-040.8P-A3U0.2/SN8	31
FCU1-040.8P-B3U0.2/SN5	28	FCU1-040.8P-B3U0.2/SN8	32

FCU1-040.8NU/SN5	21	FCU1-040.8NU/SN8	21
------------------	----	------------------	----

ICU1-040.8N-A3U0.2/SN5	25	ICU1-040.8N-A3U0.2/SN8	29
ICU1-040.8N-B3U0.2/SN5	26	ICU1-040.8N-B3U0.2/SN8	30
ICU1-040.8P-A3U0.2/SN5	27	ICU1-040.8P-A3U0.2/SN8	31
ICU1-040.8P-B3U0.2/SN5	28	ICU1-040.8P-B3U0.2/SN8	32

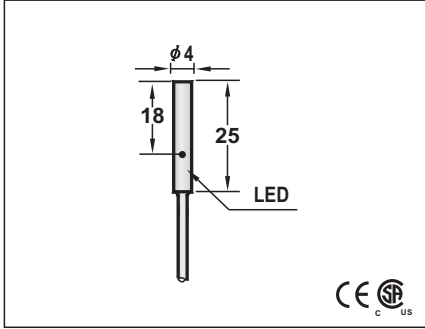
FCU\*\*\*/SN5  
└─ φ 5 Pigtail mode  
FCU\*\*\*/SN8  
└─ φ 8 Pigtail mode

2.3 φ 3x0.15
Approx.30 g      Approx.31 g

Note:  
Coming Soon : Part numbers with underline

DC ULTRA-MINI TYPE INDUCTIVE PROXIMITY SWITCH

φ4	
●	
0.8 mm	1.0 mm
stainless steel	
●	



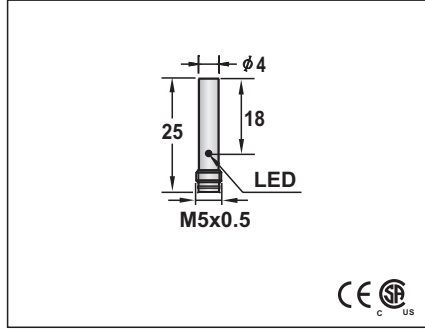
10-30VDC or 5-36VDC	
<10%	
<10mA	
200mA	
<0.01mA	
-	
-	
<1.5V	
2KHZ	
0.1ms/0.1ms	
<15%(Sr)	
<1.0%(Sr)	
IP67	
-25°C - +70°C	
<10%(Sr)	
YES	
220mA	
<10ms	
RFI>3V/m / EFT>1KV / ESD>4KV (contact)	
IEC 60947-5-2,Part 7.4.1 / IEC 60947-5-2,Part 7.4.2	
POM	

<u>FCU1-D040.8N-A3U2</u>	<u>1</u>	<u>FCU1-D0401N-A3U2</u>
<u>FCU1-D040.8N-B3U2</u>	<u>2</u>	<u>FCU1-D0401N-B3U2</u>
<u>FCU1-D040.8P-A3U2</u>	<u>3</u>	<u>FCU1-D0401P-A3U2</u>
<u>FCU1-D040.8P-B3U2</u>	<u>4</u>	<u>FCU1-D0401P-B3U2</u>
<u>FCU1-D040.8NU</u>	<u>21</u>	<u>FCU1-D0401NU</u>
<u>ICU1-D040.8N-A3U2</u>	<u>1</u>	<u>ICU1-D0401N-A3U2</u>
<u>ICU1-D040.8N-B3U2</u>	<u>2</u>	<u>ICU1-D0401N-B3U2</u>
<u>ICU1-D040.8P-A3U2</u>	<u>3</u>	<u>ICU1-D0401P-A3U2</u>
<u>ICU1-D040.8P-B3U2</u>	<u>4</u>	<u>ICU1-D0401P-B3U2</u>

NAMUR type specifications see page 22

Approx.22 g
-------------

φ4	
●	
0.8 mm	1.0 mm
stainless steel	
●	

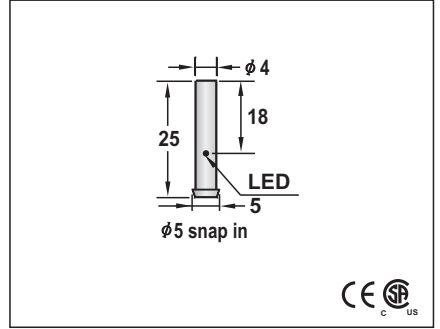


10-30VDC or 5-36VDC	
<10%	
<10mA	
200mA	
<0.01mA	
-	
-	
<1.5V	
2KHZ	
0.1ms/0.1ms	
<15%(Sr)	
<1.0%(Sr)	
IP67	
-25°C - +70°C	
<10%(Sr)	
YES	
220mA	
<10ms	
RFI>3V/m / EFT>1KV / ESD>4KV (contact)	
IEC 60947-5-2,Part 7.4.1 / IEC 60947-5-2,Part 7.4.2	
POM	

<u>FCU1-D040.8N-AMS4</u>	<u>25</u>	<u>FCU1-D0401N-AMS4</u>
<u>FCU1-D040.8N-BMS4</u>	<u>26</u>	<u>FCU1-D0401N-BMS4</u>
<u>FCU1-D040.8P-AMS4</u>	<u>27</u>	<u>FCU1-D0401P-AMS4</u>
<u>FCU1-D040.8P-BMS4</u>	<u>28</u>	<u>FCU1-D0401P-BMS4</u>
<u>ICU1-D040.8N-AMS4</u>	<u>25</u>	<u>ICU1-D0401N-AMS4</u>
<u>ICU1-D040.8N-BMS4</u>	<u>26</u>	<u>ICU1-D0401N-BMS4</u>
<u>ICU1-D040.8P-AMS4</u>	<u>27</u>	<u>ICU1-D0401P-AMS4</u>
<u>ICU1-D040.8P-BMS4</u>	<u>28</u>	<u>ICU1-D0401P-BMS4</u>

Approx.18 g
-------------

φ4	
●	
0.8 mm	1.0 mm
stainless steel	
●	



10-30VDC or 5-36VDC	
<10%	
<10mA	
200mA	
<0.01mA	
-	
-	
<1.5V	
2KHZ	
0.1ms/0.1ms	
<15%(Sr)	
<1.0%(Sr)	
IP67	
-25°C - +70°C	
<10%(Sr)	
YES	
220mA	
<10ms	
RFI>3V/m / EFT>1KV / ESD>4KV (contact)	
IEC 60947-5-2,Part 7.4.1 / IEC 60947-5-2,Part 7.4.2	
POM	

<u>FCU1-D040.8N-AMS4/SN</u>	<u>25</u>	<u>FCU1-D0401N-AMS4/SN</u>
<u>FCU1-D040.8N-BMS4/SN</u>	<u>26</u>	<u>FCU1-D0401N-BMS4/SN</u>
<u>FCU1-D040.8P-AMS4/SN</u>	<u>27</u>	<u>FCU1-D0401P-AMS4/SN</u>
<u>FCU1-D040.8P-BMS4/SN</u>	<u>28</u>	<u>FCU1-D0401P-BMS4/SN</u>
<u>ICU1-D040.8N-AMS4/SN</u>	<u>25</u>	<u>ICU1-D0401N-AMS4/SN</u>
<u>ICU1-D040.8N-BMS4/SN</u>	<u>26</u>	<u>ICU1-D0401N-BMS4/SN</u>
<u>ICU1-D040.8P-AMS4/SN</u>	<u>27</u>	<u>ICU1-D0401P-AMS4/SN</u>
<u>ICU1-D040.8P-BMS4/SN</u>	<u>28</u>	<u>ICU1-D0401P-BMS4/SN</u>

φ5 Miniature snap in connector

2.7φ 3x0.15
Approx.18 g

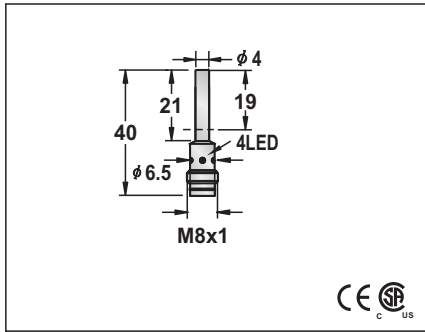
Note: Coming Soon : Part numbers with underline

# ϕ4、M5

DC ULTRA-MINI SERIES PROXIMITY SWITCHES

## DC ULTRA-MINI TYPE INDUCTIVE PROXIMITY SWITCH

ϕ4	
0.8 mm	1.0 mm
stainless steel	

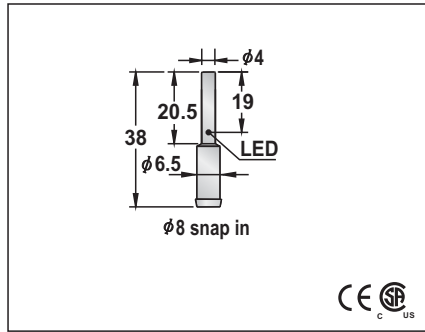


10-30VDC	<10%	<10mA	200mA	<0.01mA	-	<1.5V	2KHZ	0.1ms/0.1ms	<15%(Sr)	<1.0%(Sr)	IP67	-25 °C - +70 °C	<10%(Sr)	YES	220mA	<10ms	RFI>3V/m / EFT>1KV / ESD>4KV (contact)	IEC 60947-5-2,Part 7.4.1 / IEC 60947-5-2,Part 7.4.2	POM	
FCU1-D040.8N-ACU3	29	FCU1-D0401N-ACU3																		
FCU1-D040.8N-BCU3	29	FCU1-D0401N-BCU3																		
FCU1-D040.8P-ACU3	30	FCU1-D0401P-ACU3																		
FCU1-D040.8P-BCU3	30	FCU1-D0401P-BCU3																		

Connecting cable:  
M8 female pico-style,screw locking,with  
moulded cable.

approx.14 g
-------------

ϕ4	
0.8 mm	
stainless steel	

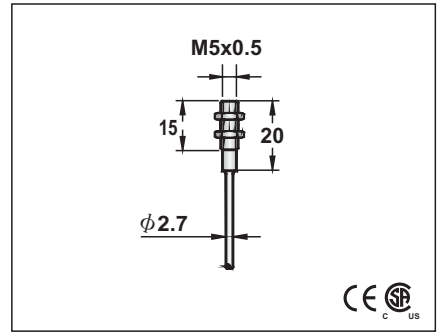


10-30VDC	<10%	<10mA	200mA	<0.01mA	-	<1.5V	2KHZ	0.1ms/0.1ms	<15%(Sr)	<1.0%(Sr)	IP67	-25 °C - +70 °C	<10%(Sr)	YES	220mA	<10ms	RFI>3V/m / EFT>1KV / ESD>4KV (contact)	IEC 60947-5-2,Part 7.4.1 / IEC 60947-5-2,Part 7.4.2	POM
FCU1-D040.8N-ACU3/SN	29																		
FCU1-D040.8N-BCU3/SN	29																		
FCU1-D040.8P-ACU3/SN	30																		
FCU1-D040.8P-BCU3/SN	30																		


Connecting cable:  
female pico-style,snap-in device,with  
moulded cable.

approx.14 g
-------------

M5	
0.8 mm	1.0 mm
stainless steel	



6-12VDC	<10%	>2.2mA(OFF)	-	-	-	-	0.5KHZ	0.2ms/0.2ms	<15%(Sr)	-	IP67	-25 °C - +70 °C	<1%(Sr)	-	-	<10ms	RFI>3V/m / EFT>1KV / ESD>4KV (contact)	IEC 60947-5-2,Part 7.4.1 / IEC 60947-5-2,Part 7.4.2	POM
FCU1-050.8NU	21	FCU1-0501NU																	

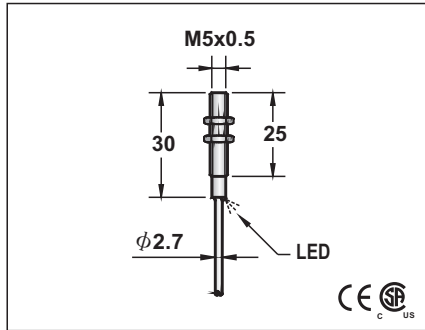
Note:  
All cable type have  
pigtail connect mode,  
\*CU\*\*\*/p  pigtail mode

2.7ϕ 3x0.15
approx.25 g



## DC ULTRA-MINI TYPE INDUCTIVE PROXIMITY SWITCH

M5	
0.8 mm	1.0 mm
stainless steel	

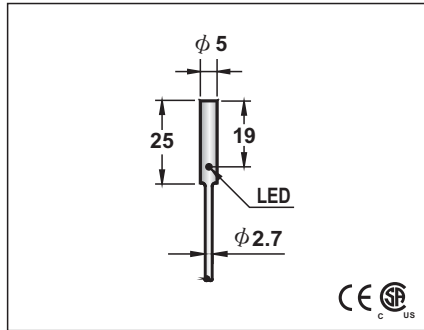


10-30VDC or 5-36VDC	
<10%	
<10mA	
100mA	
<0.01mA	
-	
<1.5V(10~30V)	
2KHZ	
0.1ms/0.1ms	
<15%(Sr)	
<1.0%(Sr)	
IP67	
-25°C - +70°C	
<10%(Sr)	
NO	
-	
<10ms	
RFI>3V/m / EFT>1KV / ESD>4KV (contact)	
IEC 60947-5-2,Part 7.4.1 / IEC 60947-5-2,Part 7.4.2	
POM	

FCU1-050.8N-A3L2	1	FCU1-0501N-A3L2
FCU1-050.8N-B3L2	2	FCU1-0501N-B3L2
FCU1-050.8P-A3L2	3	FCU1-0501P-A3L2
FCU1-050.8P-B3L2	4	FCU1-0501P-B3L2
ICU1-050.8N-A3L2	1	ICU1-0501N-A3L2
ICU1-050.8N-B3L2	2	ICU1-0501N-B3L2
ICU1-050.8P-A3L2	3	ICU1-0501P-A3L2
ICU1-050.8P-B3L2	4	ICU1-0501P-B3L2

2.7φ 3x0.15
approx.25 g

φ5	
1.0 mm	1.5 mm
stainless steel	

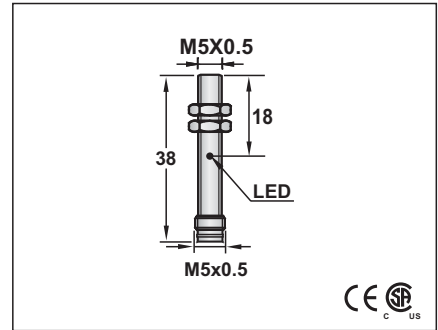


10-30VDC or 5-36VDC	
<10%	
<10mA	
200mA	
<0.01mA	
-	
<1.5V(10~30V)	
2KHZ	
0.1ms/0.1ms	
<15%(Sr)	
<1.0%(Sr)	
IP67	
-25°C - +70°C	
<10%(Sr)	
YES	
220mA	
<10ms	
RFI>3V/m / EFT>1KV / ESD>4KV (contact)	
IEC 60947-5-2,Part 7.4.1 / IEC 60947-5-2,Part 7.4.2	
POM	

FCU1-D0501N-A3U2	1	FCU1-D051.5N-A3U2
FCU1-D0501N-B3U2	2	FCU1-D051.5N-B3U2
FCU1-D0501P-A3U2	3	FCU1-D051.5P-A3U2
FCU1-D0501P-B3U2	4	FCU1-D051.5P-B3U2
ICU1-D0501N-A3U2	1	ICU1-D051.5N-A3U2
ICU1-D0501N-B3U2	2	ICU1-D051.5N-B3U2
ICU1-D0501P-A3U2	3	ICU1-D051.5P-A3U2
ICU1-D0501P-B3U2	4	ICU1-D051.5P-B3U2

2.7φ 3x0.15
approx.25 g

M5	
0.8 mm	
stainless steel	



10-30VDC or 5-36VDC	
<10%	
<10mA	
200mA	
<0.01mA	
-	
<1.5V	
2KHZ	
0.1ms/0.1ms	
<15%(Sr)	
<1.0%(Sr)	
IP67	
-25°C - +70°C	
<10%(Sr)	
YES	
220mA	
<10ms	
RFI>3V/m / EFT>1KV / ESD>4KV (contact)	
IEC 60947-5-2,Part 7.4.1 / IEC 60947-5-2,Part 7.4.2	
POM	

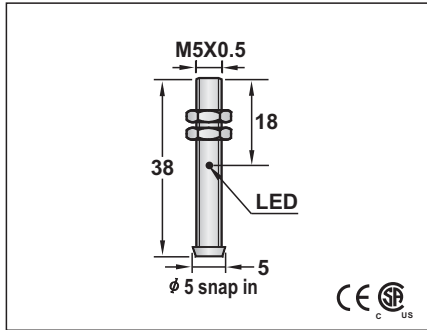
FCU1-050.8N-AMU4	25	FCU1-0501N-AMU4
FCU1-050.8N-BMU4	26	FCU1-0501N-BMU4
FCU1-050.8P-AMU4	27	FCU1-0501P-AMU4
FCU1-050.8P-BMU4	28	FCU1-0501P-BMU4
FCU1-050.8NU-M	21	FCU1-0501NU-M
ICU1-050.8N-AMU4	25	ICU1-0501N-AMU4
ICU1-050.8N-BMU4	26	ICU1-0501N-BMU4
ICU1-050.8P-AMU4	27	ICU1-0501P-AMU4
ICU1-050.8P-BMU4	28	ICU1-0501P-BMU4

Approx.13 g
-------------

Note:  
Coming Soon : Part numbers with underline

## DC ULTRA-MINI TYPE INDUCTIVE PROXIMITY SWITCH

<b>M5</b>	
●	●
0.8 mm	1.0 mm
stainless steel	
●	



10-30VDC or 5-36VDC	
<10%	
<10mA	
200mA	
<0.01mA	
-	
-	
<1.5V	
2KHZ	
0.1ms/0.1ms	
<15%(Sr)	
<1.0%(Sr)	
IP67	
-25°C - +70°C	
<10%(Sr)	
YES	
220mA	
<10ms	
RFI>3V/m / EFT>1KV / ESD>4KV (contact)	
IEC 60947-5-2,Part 7.4.1 / IEC 60947-5-2,Part 7.4.2	
POM	

FCU1-050.8N-AMU4/SN	25	<u>FCU1-0501N-AMU4/SN</u>
FCU1-050.8N-BMU4/SN	26	<u>FCU1-0501N-BMU4/SN</u>
FCU1-050.8P-AMU4/SN	27	<u>FCU1-0501P-AMU4/SN</u>
FCU1-050.8P-BMU4/SN	28	<u>FCU1-0501P-BMU4/SN</u>

FCU1-050.8NU-SN 21 FCU1-050.8NU-SN

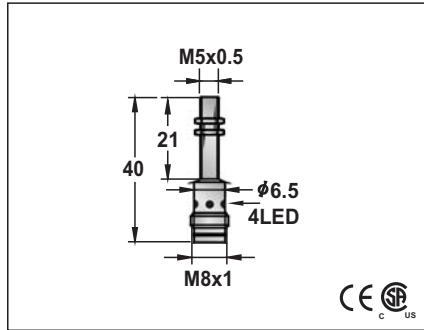
<u>ICU1-050.8N-AMU4/SN</u>	25	<u>ICU1-0501N-AMU4/SN</u>
<u>ICU1-050.8N-BMU4/SN</u>	26	<u>ICU1-0501N-BMU4/SN</u>
<u>ICU1-050.8P-AMU4/SN</u>	27	<u>ICU1-0501P-AMU4/SN</u>
<u>ICU1-050.8P-BMU4/SN</u>	28	<u>ICU1-0501P-BMU4/SN</u>

ø 5 Miniature snap in connector

Approx.13 g

Note:  
Coming Soon : Part numbers with underline

<b>M5</b>	
●	●
0.8 mm	1.0 mm
stainless steel	
●	



10-30VDC or 5-36VDC	
<10%	
<10mA	
200mA	
<0.01mA	
-	
-	
<1.5V	
2KHZ	
0.1ms/0.1ms	
<15%(Sr)	
<1.0%(Sr)	
IP67	
-25°C - +70°C	
<10%(Sr)	
YES	
220mA	
<10ms	
RFI>3V/m / EFT>1KV / ESD>4KV (contact)	
IEC 60947-5-2,Part 7.4.1 / IEC 60947-5-2,Part 7.4.2	
POM	

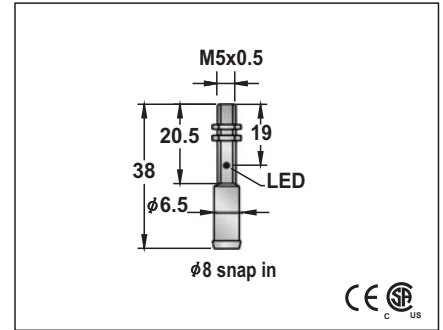
FCU1-050.8N-ACU3	29	FCU1-0501N-ACU3
FCU1-050.8N-BCU3	29	FCU1-0501N-BCU3
FCU1-050.8P-ACU3	30	FCU1-0501P-ACU3
FCU1-050.8P-BCU3	30	FCU1-0501P-BCU3

<u>ICU1-050.8N-ACU3</u>	29	<u>ICU1-0501N-ACU3</u>
<u>ICU1-050.8N-BCU3</u>	29	<u>ICU1-0501N-BCU3</u>
<u>ICU1-050.8P-ACU3</u>	30	<u>ICU1-0501P-ACU3</u>
<u>ICU1-050.8P-BCU3</u>	30	<u>ICU1-0501P-BCU3</u>

Connecting cable:  
M8 female pico-style,screw locking,with moulded cable.

Approx.14 g

<b>M 5</b>	
●	●
0.8 mm	1.0 mm
stainless steel	
●	



10-30VDC or 5-36VDC	
<10%	
<10mA	
200mA	
<0.01mA	
-	
-	
<1.5V	
2KHZ	
0.1ms/0.1ms	
<15%(Sr)	
<1.0%(Sr)	
IP67	
-25°C - +70°C	
<10%(Sr)	
YES	
220mA	
<10ms	
RFI>3V/m / EFT>1KV / ESD>4KV (contact)	
IEC 60947-5-2,Part 7.4.1 / IEC 60947-5-2,Part 7.4.2	
POM	

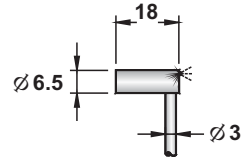
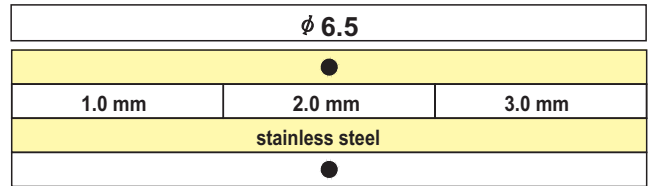
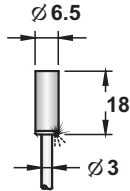
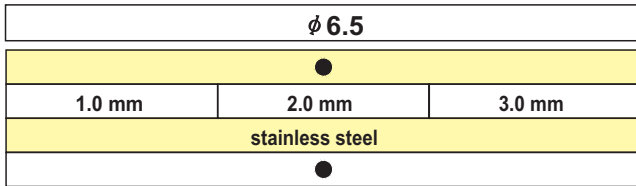
FCU1-050.8N-ACU3/SN	29	FCU1-0501N-ACU3/SN
FCU1-050.8N-BCU3/SN	29	FCU1-0501N-BCU3/SN
FCU1-050.8P-ACU3/SN	30	FCU1-0501P-ACU3/SN
FCU1-050.8P-BCU3/SN	30	FCU1-0501P-BCU3/SN

<u>ICU1-050.8N-ACU3/SN</u>	29	<u>ICU1-0501N-ACU3/SN</u>
<u>ICU1-050.8N-BCU3/SN</u>	29	<u>ICU1-0501N-BCU3/SN</u>
<u>ICU1-050.8P-ACU3/SN</u>	30	<u>ICU1-0501P-ACU3/SN</u>
<u>ICU1-050.8P-BCU3/SN</u>	30	<u>ICU1-0501P-BCU3/SN</u>

Connecting cable:  
female pico-style,snap-in device,with moulded cable.

Approx.14 g

DC ULTRA-MINI TYPE INDUCTIVE PROXIMITY SWITCH

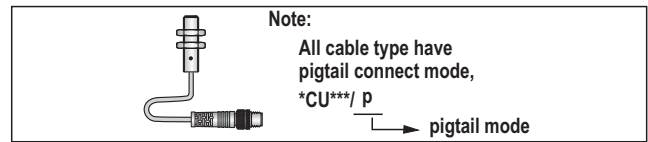
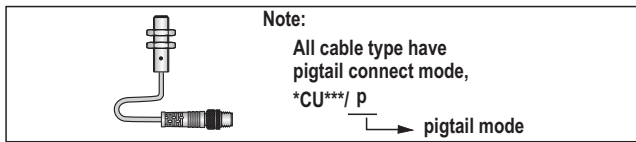


10-30VDC
<10%
<10mA
200mA
<0.01mA
-
-
<1.5V
2KHZ
0.1ms/0.1ms
<15%(Sr)
<1.0%(Sr)
IP67
-25°C - +70°C
<10%(Sr)
YES
220mA
<10ms
RFI>3V/m / EFT>1KV / ESD>4KV (contact)
IEC 60947-5-2,Part 7.4.1 / IEC 60947-5-2,Part 7.4.2
POM

10-30VDC
<10%
<10mA
200mA
<0.01mA
-
-
<1.5V
2KHZ
0.1ms/0.1ms
<15%(Sr)
<1.0%(Sr)
IP67
-25°C - +70°C
<10%(Sr)
YES
220mA
<10ms
RFI>3V/m / EFT>1KV / ESD>4KV (contact)
IEC 60947-5-2,Part 7.4.1 / IEC 60947-5-2,Part 7.4.2
POM

FCU1-D0601N-A3R2	1	<u>ECU1-D0602N-A3R2</u>	1	<u>LCU1-D0603N-A3R2</u>
FCU1-D0601N-B3R2	2	<u>ECU1-D0602N-B3R2</u>	2	<u>LCU1-D0603N-B3R2</u>
FCU1-D0601P-A3R2	3	<u>ECU1-D0602P-A3R2</u>	3	<u>LCU1-D0603P-A3R2</u>
FCU1-D0601P-B3R2	4	<u>ECU1-D0602P-B3R2</u>	4	<u>LCU1-D0603P-B3R2</u>

FCU1-D0601N-A3X2	1	<u>ECU1-D0602N-A3X2</u>	1	<u>LCU1-D0603N-A3X2</u>
FCU1-D0601N-B3X2	2	<u>ECU1-D0602N-B3X2</u>	2	<u>LCU1-D0603N-B3X2</u>
FCU1-D0601P-A3X2	3	<u>ECU1-D0602P-A3X2</u>	3	<u>LCU1-D0603P-A3X2</u>
FCU1-D0601P-B3X2	4	<u>ECU1-D0602P-B3X2</u>	4	<u>LCU1-D0603P-B3X2</u>



3 φ3x0.15
approx.25 g

3 φ3x0.15
approx.25 g

Note:  
Coming Soon : Part numbers with underline



## DC ULTRA-MINI TYPE INDUCTIVE PROXIMITY SWITCH

φ 6.5		
●		
1.0 mm	2.0 mm	3.0 mm
stainless steel		
●		

10-30VDC				
<10%				
<10mA				
200mA				
<0.01mA				
-				
-				
<1.5V				
2KHZ				
0.1ms/0.1ms				
<15%(Sr)				
<1.0%(Sr)				
IP67				
-25°C - +70°C				
<10%(Sr)				
YES				
220mA				
<10ms				
RFI>3V/m / EFT>1KV / ESD>4KV (contact)				
IEC 60947-5-2,Part 7.4.1 / IEC 60947-5-2,Part 7.4.2				
POM				
FCU1-D0601N-ACR3	29	ECU1-D0602N-ACR3	29	LCU1-D0603N-ACR3
FCU1-D0601N-BCR3	29	ECU1-D0602N-BCR3	29	LCU1-D0603N-BCR3
FCU1-D0601P-ACR3	30	ECU1-D0602P-ACR3	30	LCU1-D0603P-ACR3
FCU1-D0601P-BCR3	30	ECU1-D0602P-BCR3	30	LCU1-D0603P-BCR3

Connecting cable:  
M8 female pico-style, screw locking, with moulded cable.

Approx. 15 g

φ 6.5		
●		
1.0 mm	2.0 mm	3.0 mm
stainless steel		
●		

10-30VDC				
<10%				
<10mA				
200mA				
<0.01mA				
-				
-				
<1.5V				
2KHZ				
0.1ms/0.1ms				
<15%(Sr)				
<1.0%(Sr)				
IP67				
-25°C - +70°C				
<10%(Sr)				
YES				
220mA				
<10ms				
RFI>3V/m / EFT>1KV / ESD>4KV (contact)				
IEC 60947-5-2,Part 7.4.1 / IEC 60947-5-2,Part 7.4.2				
POM				
FCU1-D0601N-ACR3/SN	29	ECU1-D0602N-ACR3/SN	29	LCU1-D0603N-ACR3/SN
FCU1-D0601N-BCR3/SN	29	ECU1-D0602N-BCR3/SN	29	LCU1-D0603N-BCR3/SN
FCU1-D0601P-ACR3/SN	30	ECU1-D0602P-ACR3/SN	30	LCU1-D0603P-ACR3/SN
FCU1-D0601P-BCR3/SN	30	ECU1-D0602P-BCR3/SN	30	LCU1-D0603P-BCR3/SN

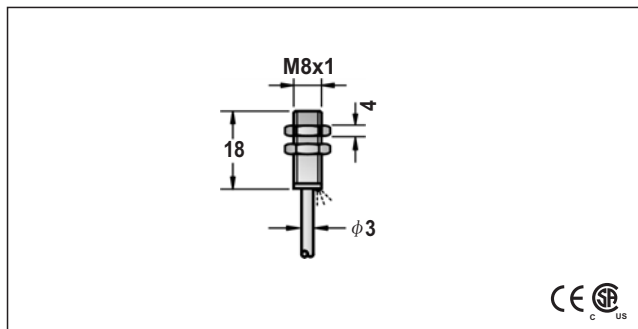
Connecting cable:  
female pico-style, snap-in device, with moulded cable.

Approx. 15 g

**Note:**  
Coming Soon : Part numbers with underline

## DC ULTRA-MINI TYPE INDUCTIVE PROXIMITY SWITCH

M 8		
●		
1.0 mm	2.0 mm	3.0 mm
stainless steel		
●		



10-30VDC
<10%
<10mA
200mA
<0.01mA
-
-
<1.5V
2KHZ
0.1ms/0.1ms
<15%(Sr)
<1.0%(Sr)
IP67
-25°C - +70°C
<10%(Sr)
YES
220mA
<10ms
RFI>3V/m / EFT>1KV / ESD>4KV (contact)
IEC 60947-5-2,Part 7.4.1 / IEC 60947-5-2,Part 7.4.2
POM

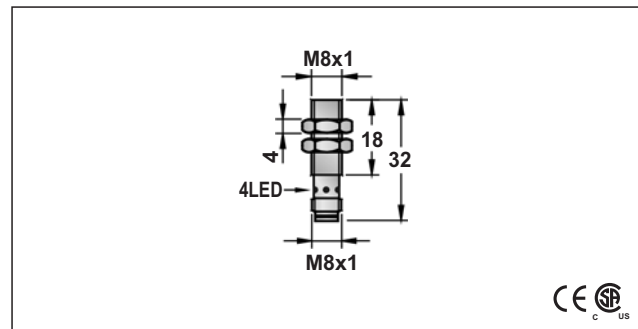
FCU1-0801N-A3R2	1	ECU1-0802N-A3R2	1	LCU1-0803N-A3R2
FCU1-0801N-B3R2	2	ECU1-0802N-B3R2	2	LCU1-0803N-B3R2
FCU1-0801P-A3R2	3	ECU1-0802P-A3R2	3	LCU1-0803P-A3R2
FCU1-0801P-B3R2	4	ECU1-0802P-B3R2	4	LCU1-0803P-B3R2

Note:

All cable type have pigtail connect mode,  
\*CU\*\*\*/p pigtail mode

3 $\phi$ 3x0.15
approx.25 g

M 8		
●		
1.0 mm	2.0 mm	3.0 mm
stainless steel		
●		



10-30VDC
<10%
<10mA
200mA
<0.01mA
-
-
<1.5V
2KHZ
0.1ms/0.1ms
<15%(Sr)
<1.0%(Sr)
IP67
-25°C - +70°C
<10%(Sr)
YES
220mA
<10ms
RFI>3V/m / EFT>1KV / ESD>4KV (contact)
IEC 60947-5-2,Part 7.4.1 / IEC 60947-5-2,Part 7.4.2
POM

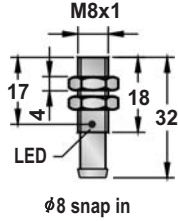
FCU1-0801N-ACR3	1	ECU1-0802N-ACR3	1	LCU1-0803N-ACR3
FCU1-0801N-BCR3	2	ECU1-0802N-BCR3	2	LCU1-0803N-BCR3
FCU1-0801P-ACR3	3	ECU1-0802P-ACR3	3	LCU1-0803P-ACR3
FCU1-0801P-BCR3	4	ECU1-0802P-BCR3	4	LCU1-0803P-BCR3

Connecting cable:  
M8 female pico-style, screw locking, with moulded cable.

Approx.17 g
-------------

## DC ULTRA-MINI TYPE INDUCTIVE PROXIMITY SWITCH

M 8		
●		
1.0 mm	2.0 mm	3.0 mm
stainless steel		
●		



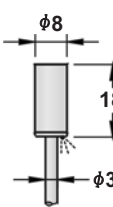
10-30VDC
<10%
<10mA
200mA
<0.01mA
-
-
<1.5V
2KHZ
0.1ms/0.1ms
<15%(Sr)
<1.0%(Sr)
IP67
-25°C - +70°C
<10%(Sr)
YES
220mA
<10ms
RFI>3V/m / EFT>1KV / ESD>4KV (contact)
IEC 60947-5-2,Part 7.4.1 / IEC 60947-5-2,Part 7.4.2
POM

FCU1-0801N-ACR3/SN	25	ECU1-0802N-ACR3/SN	25	LCU1-0803N-ACR3/SN
FCU1-0801N-BCR3/SN	25	ECU1-0802N-BCR3/SN	25	LCU1-0803N-BCR3/SN
FCU1-0801P-ACR3/SN	26	ECU1-0802P-ACR3/SN	26	LCU1-0803P-ACR3/SN
FCU1-0801P-BCR3/SN	26	ECU1-0802P-BCR3/SN	26	LCU1-0803P-BCR3/SN

Connecting cable:  
female pico-style, snap-in device, with moulded cable.

Approx. 17 g

φ8		
●		
1.0 mm	2.0 mm	3.0 mm
stainless steel		
●		



10-30VDC
<10%
<10mA
200mA
<0.01mA
-
-
<1.5V
2KHZ
0.1ms/0.1ms
<15%(Sr)
<1.0%(Sr)
IP67
-25°C - +70°C
<10%(Sr)
YES
220mA
<10ms
RFI>3V/m / EFT>1KV / ESD>4KV (contact)
IEC 60947-5-2,Part 7.4.1 / IEC 60947-5-2,Part 7.4.2
POM

FCU1-D0801N-A3R2	1	ECU1-D0802N-A3R2	1	LCU1-D0803N-A3R2
FCU1-D0801N-B3R2	2	ECU1-D0802N-B3R2	2	LCU1-D0803N-B3R2
FCU1-D0801P-A3R2	3	ECU1-D0802P-A3R2	3	LCU1-D0803P-A3R2
FCU1-D0801P-B3R2	4	ECU1-D0802P-B3R2	4	LCU1-D0803P-B3R2



Note:  
All cable type have pigtail connect mode,  
\*CU\*\*\*/p pigtail mode

3 φ 3x0.15  
approx. 25 g

