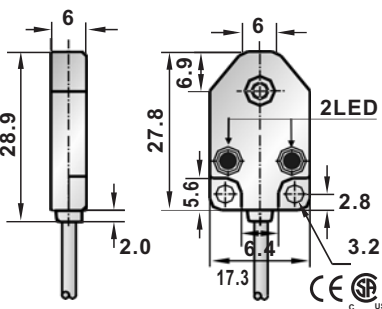
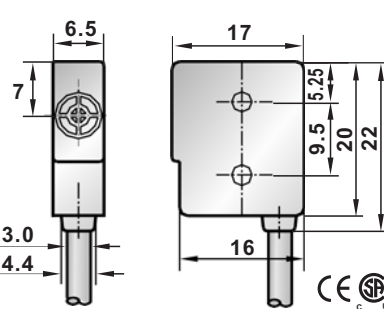


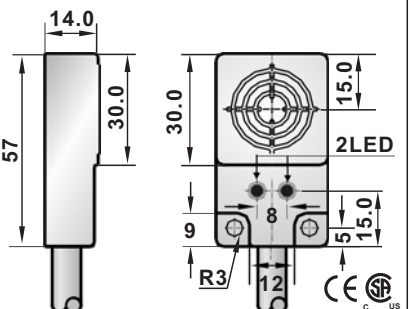
## PART C-1 ~ C-55

Diameter	
● Shielded   ○ non-Shielded	
Switching Distance Sn mm	
Housing Material	
● With LED   ○ Without LED	
Dimensions (unit: mm)	
Operating Voltage	
Ripple	
No Load Current	
Max. Load Current	
Leakage Current	
Surge Current	
Min. Load Current	
Voltage Drop	
Switching Frequency	
Response Time	
Switching Hysteresis	
Repeat Accuracy	
Protection Category	
Operating Temperature	
Temperature Drift	
Short Circuit Protection	
Overload Trip Point	
Time Delay Before Availability	
EMC	
Shock / Vibration	
Material Active Face	
DC 3 wire 10-30V NPN N.O.	
DC 3 wire 10-30V NPN N.C.	
DC 3 wire 10-30V PNP N.O.	
DC 3 wire 10-30V PNP N.C.	
DC 4 wire 10-30V Changeover PNP (N.O. & N.C.)	
DC 4 wire 10-30V Changeover NPN (N.O. & N.C.)	
DC 2 wire 10-60V N.O.	
DC 2 wire 10-60V N.C.	
DC 3 wire 10-55v NPN N.O. or NAMUR	
DC 3 wire 10-55v NPN N.C.	
DC 3 wire 10-55v PNP N.O.	
DC 3 wire 10-55v PNP N.C.	
AC 2 wire 20-250V N.O.	
AC 2 wire 20-250V N.C.	
AC 20-250V N.O. or N.C. Changeable	
AC/DC 2 wire 20-250V N.O.	
AC/DC 2 wire 20-250V N.C.	
AC/DC 20-250V N.O. or N.C. Changeable	
Remark	
Cable 2M (PVC)	
Weight	

## DC INDUCTIVE PROXIMITY SWITCH SQUARE TYPE

Q 6																																																															
●																																																															
1.5 mm																																																															
PBT RESIN																																																															
●																																																															
																																																															
<table border="1" style="width: 100%; border-collapse: collapse;"> <tr><td colspan="2" style="text-align: center;">10-30VDC</td></tr> <tr><td colspan="2" style="text-align: center;">&lt;10%</td></tr> <tr><td colspan="2" style="text-align: center;">&lt;10mA</td></tr> <tr><td colspan="2" style="text-align: center;">200mA</td></tr> <tr><td colspan="2" style="text-align: center;">&lt;0.01mA</td></tr> <tr><td colspan="2" style="text-align: center;">-</td></tr> <tr><td colspan="2" style="text-align: center;">-</td></tr> <tr><td colspan="2" style="text-align: center;">&lt;1.5V</td></tr> <tr><td colspan="2" style="text-align: center;">500HZ</td></tr> <tr><td colspan="2" style="text-align: center;">0.5ms/0.5ms</td></tr> <tr><td colspan="2" style="text-align: center;">&lt;15%(Sr)</td></tr> <tr><td colspan="2" style="text-align: center;">&lt;1.0%(Sr)</td></tr> <tr><td colspan="2" style="text-align: center;">IP67</td></tr> <tr><td colspan="2" style="text-align: center;">-25 °C - +70 °C</td></tr> <tr><td colspan="2" style="text-align: center;">&lt;10%(Sr)</td></tr> <tr><td colspan="2" style="text-align: center;">YES</td></tr> <tr><td colspan="2" style="text-align: center;">220mA</td></tr> <tr><td colspan="2" style="text-align: center;">&lt;10ms</td></tr> <tr><td colspan="2" style="text-align: center;">RFI&gt;3V/m / EFT&gt;1KV / ESD&gt;4KV (contact)</td></tr> <tr><td colspan="2" style="text-align: center;">IEC 60947-5-2,Part 7.4.1 / IEC 60947-5-2,Part 7.4.2</td></tr> <tr><td colspan="2" style="text-align: center;">PBT</td></tr> <tr> <td style="text-align: center;"><u>FQP1-061.5N-A3U2T</u></td> <td style="text-align: center;">1</td> </tr> <tr> <td style="text-align: center;"><u>FQP1-061.5N-B3U2T</u></td> <td style="text-align: center;">2</td> </tr> <tr> <td style="text-align: center;"><u>FQP1-061.5P-A3U2T</u></td> <td style="text-align: center;">3</td> </tr> <tr> <td style="text-align: center;"><u>FQP1-061.5P-B3U2T</u></td> <td style="text-align: center;">4</td> </tr> <tr> <td colspan="2" style="text-align: center;">FQP1-061.5C-A2U2T   7</td> </tr> <tr> <td colspan="2" style="text-align: center;">FQP1-061.5C-B2U2T   8</td> </tr> <tr> <td colspan="2" style="text-align: center;"> <div style="border: 1px solid black; height: 50px; width: 100%;"></div> </td> </tr> <tr> <td colspan="2" style="text-align: center;"> <table border="1" style="width: 100%; border-collapse: collapse;"> <tr><td colspan="2" style="text-align: center;">3 ϕ 3x0.15</td></tr> <tr><td colspan="2" style="text-align: center;">Approx.55 g</td></tr> </table> </td> </tr> </table>		10-30VDC		<10%		<10mA		200mA		<0.01mA		-		-		<1.5V		500HZ		0.5ms/0.5ms		<15%(Sr)		<1.0%(Sr)		IP67		-25 °C - +70 °C		<10%(Sr)		YES		220mA		<10ms		RFI>3V/m / EFT>1KV / ESD>4KV (contact)		IEC 60947-5-2,Part 7.4.1 / IEC 60947-5-2,Part 7.4.2		PBT		<u>FQP1-061.5N-A3U2T</u>	1	<u>FQP1-061.5N-B3U2T</u>	2	<u>FQP1-061.5P-A3U2T</u>	3	<u>FQP1-061.5P-B3U2T</u>	4	FQP1-061.5C-A2U2T   7		FQP1-061.5C-B2U2T   8		<div style="border: 1px solid black; height: 50px; width: 100%;"></div>		<table border="1" style="width: 100%; border-collapse: collapse;"> <tr><td colspan="2" style="text-align: center;">3 ϕ 3x0.15</td></tr> <tr><td colspan="2" style="text-align: center;">Approx.55 g</td></tr> </table>		3 ϕ 3x0.15		Approx.55 g	
10-30VDC																																																															
<10%																																																															
<10mA																																																															
200mA																																																															
<0.01mA																																																															
-																																																															
-																																																															
<1.5V																																																															
500HZ																																																															
0.5ms/0.5ms																																																															
<15%(Sr)																																																															
<1.0%(Sr)																																																															
IP67																																																															
-25 °C - +70 °C																																																															
<10%(Sr)																																																															
YES																																																															
220mA																																																															
<10ms																																																															
RFI>3V/m / EFT>1KV / ESD>4KV (contact)																																																															
IEC 60947-5-2,Part 7.4.1 / IEC 60947-5-2,Part 7.4.2																																																															
PBT																																																															
<u>FQP1-061.5N-A3U2T</u>	1																																																														
<u>FQP1-061.5N-B3U2T</u>	2																																																														
<u>FQP1-061.5P-A3U2T</u>	3																																																														
<u>FQP1-061.5P-B3U2T</u>	4																																																														
FQP1-061.5C-A2U2T   7																																																															
FQP1-061.5C-B2U2T   8																																																															
<div style="border: 1px solid black; height: 50px; width: 100%;"></div>																																																															
<table border="1" style="width: 100%; border-collapse: collapse;"> <tr><td colspan="2" style="text-align: center;">3 ϕ 3x0.15</td></tr> <tr><td colspan="2" style="text-align: center;">Approx.55 g</td></tr> </table>		3 ϕ 3x0.15		Approx.55 g																																																											
3 ϕ 3x0.15																																																															
Approx.55 g																																																															

Q 6.5																																																																	
●   ○																																																																	
1.5 mm	2 mm																																																																
PBT RESIN																																																																	
●																																																																	
																																																																	
<table border="1" style="width: 100%; border-collapse: collapse;"> <tr><td colspan="2" style="text-align: center;">10-30VDC</td></tr> <tr><td colspan="2" style="text-align: center;">&lt;10%</td></tr> <tr><td colspan="2" style="text-align: center;">&lt;10mA</td></tr> <tr><td colspan="2" style="text-align: center;">200mA</td></tr> <tr><td colspan="2" style="text-align: center;">&lt;0.01mA</td></tr> <tr><td colspan="2" style="text-align: center;">-</td></tr> <tr><td colspan="2" style="text-align: center;">-</td></tr> <tr><td colspan="2" style="text-align: center;">&lt;1.5V</td></tr> <tr><td colspan="2" style="text-align: center;">500HZ</td></tr> <tr><td colspan="2" style="text-align: center;">0.5ms/0.5ms</td></tr> <tr><td colspan="2" style="text-align: center;">&lt;15%(Sr)</td></tr> <tr><td colspan="2" style="text-align: center;">&lt;1.0%(Sr)</td></tr> <tr><td colspan="2" style="text-align: center;">IP67</td></tr> <tr><td colspan="2" style="text-align: center;">-25 °C - +70 °C</td></tr> <tr><td colspan="2" style="text-align: center;">&lt;10%(Sr)</td></tr> <tr><td colspan="2" style="text-align: center;">YES</td></tr> <tr><td colspan="2" style="text-align: center;">220mA</td></tr> <tr><td colspan="2" style="text-align: center;">&lt;10ms</td></tr> <tr><td colspan="2" style="text-align: center;">RFI&gt;3V/m / EFT&gt;1KV / ESD&gt;4KV (contact)</td></tr> <tr><td colspan="2" style="text-align: center;">IEC 60947-5-2,Part 7.4.1 / IEC 60947-5-2,Part 7.4.2</td></tr> <tr><td colspan="2" style="text-align: center;">PBT</td></tr> <tr> <td style="text-align: center;"><u>FQP1-6.51.5N-A3U2</u></td> <td style="text-align: center;">1</td> </tr> <tr> <td style="text-align: center;"><u>FQP1-6.51.5N-B3U2</u></td> <td style="text-align: center;">2</td> </tr> <tr> <td style="text-align: center;"><u>FQP1-6.51.5P-A3U2</u></td> <td style="text-align: center;">3</td> </tr> <tr> <td style="text-align: center;"><u>FQP1-6.51.5P-B3U2</u></td> <td style="text-align: center;">4</td> </tr> <tr> <td colspan="2" style="text-align: center;">FQP1-6.51.5C-A2U2   7</td> </tr> <tr> <td colspan="2" style="text-align: center;">FQP1-6.51.5C-B2U2   8</td> </tr> <tr> <td colspan="2" style="text-align: center;"> <div style="border: 1px solid black; height: 50px; width: 100%;"></div> </td> </tr> <tr> <td colspan="2" style="text-align: center;"> <div style="border: 1px solid black; padding: 5px;">                     Please see Page 18 for details and specifications of DC 2-Wire models on this page.                 </div> </td> </tr> <tr> <td colspan="2" style="text-align: center;"> <table border="1" style="width: 100%; border-collapse: collapse;"> <tr><td colspan="2" style="text-align: center;">3 ϕ 3x0.15</td></tr> <tr><td colspan="2" style="text-align: center;">Approx.80 g</td></tr> </table> </td> </tr> </table>		10-30VDC		<10%		<10mA		200mA		<0.01mA		-		-		<1.5V		500HZ		0.5ms/0.5ms		<15%(Sr)		<1.0%(Sr)		IP67		-25 °C - +70 °C		<10%(Sr)		YES		220mA		<10ms		RFI>3V/m / EFT>1KV / ESD>4KV (contact)		IEC 60947-5-2,Part 7.4.1 / IEC 60947-5-2,Part 7.4.2		PBT		<u>FQP1-6.51.5N-A3U2</u>	1	<u>FQP1-6.51.5N-B3U2</u>	2	<u>FQP1-6.51.5P-A3U2</u>	3	<u>FQP1-6.51.5P-B3U2</u>	4	FQP1-6.51.5C-A2U2   7		FQP1-6.51.5C-B2U2   8		<div style="border: 1px solid black; height: 50px; width: 100%;"></div>		<div style="border: 1px solid black; padding: 5px;">                     Please see Page 18 for details and specifications of DC 2-Wire models on this page.                 </div>		<table border="1" style="width: 100%; border-collapse: collapse;"> <tr><td colspan="2" style="text-align: center;">3 ϕ 3x0.15</td></tr> <tr><td colspan="2" style="text-align: center;">Approx.80 g</td></tr> </table>		3 ϕ 3x0.15		Approx.80 g	
10-30VDC																																																																	
<10%																																																																	
<10mA																																																																	
200mA																																																																	
<0.01mA																																																																	
-																																																																	
-																																																																	
<1.5V																																																																	
500HZ																																																																	
0.5ms/0.5ms																																																																	
<15%(Sr)																																																																	
<1.0%(Sr)																																																																	
IP67																																																																	
-25 °C - +70 °C																																																																	
<10%(Sr)																																																																	
YES																																																																	
220mA																																																																	
<10ms																																																																	
RFI>3V/m / EFT>1KV / ESD>4KV (contact)																																																																	
IEC 60947-5-2,Part 7.4.1 / IEC 60947-5-2,Part 7.4.2																																																																	
PBT																																																																	
<u>FQP1-6.51.5N-A3U2</u>	1																																																																
<u>FQP1-6.51.5N-B3U2</u>	2																																																																
<u>FQP1-6.51.5P-A3U2</u>	3																																																																
<u>FQP1-6.51.5P-B3U2</u>	4																																																																
FQP1-6.51.5C-A2U2   7																																																																	
FQP1-6.51.5C-B2U2   8																																																																	
<div style="border: 1px solid black; height: 50px; width: 100%;"></div>																																																																	
<div style="border: 1px solid black; padding: 5px;">                     Please see Page 18 for details and specifications of DC 2-Wire models on this page.                 </div>																																																																	
<table border="1" style="width: 100%; border-collapse: collapse;"> <tr><td colspan="2" style="text-align: center;">3 ϕ 3x0.15</td></tr> <tr><td colspan="2" style="text-align: center;">Approx.80 g</td></tr> </table>		3 ϕ 3x0.15		Approx.80 g																																																													
3 ϕ 3x0.15																																																																	
Approx.80 g																																																																	

Q 14																																																																	
●																																																																	
10 mm																																																																	
PBT RESIN																																																																	
●																																																																	
																																																																	
<table border="1" style="width: 100%; border-collapse: collapse;"> <tr><td colspan="2" style="text-align: center;">10-30VDC</td></tr> <tr><td colspan="2" style="text-align: center;">&lt;10%</td></tr> <tr><td colspan="2" style="text-align: center;">&lt;10mA</td></tr> <tr><td colspan="2" style="text-align: center;">200mA</td></tr> <tr><td colspan="2" style="text-align: center;">&lt;0.01mA</td></tr> <tr><td colspan="2" style="text-align: center;">-</td></tr> <tr><td colspan="2" style="text-align: center;">-</td></tr> <tr><td colspan="2" style="text-align: center;">&lt;1.5V</td></tr> <tr><td colspan="2" style="text-align: center;">500HZ</td></tr> <tr><td colspan="2" style="text-align: center;">0.5ms/0.5ms</td></tr> <tr><td colspan="2" style="text-align: center;">&lt;15%(Sr)</td></tr> <tr><td colspan="2" style="text-align: center;">&lt;1.0%(Sr)</td></tr> <tr><td colspan="2" style="text-align: center;">IP67</td></tr> <tr><td colspan="2" style="text-align: center;">-25 °C - +70 °C</td></tr> <tr><td colspan="2" style="text-align: center;">&lt;10%(Sr)</td></tr> <tr><td colspan="2" style="text-align: center;">YES</td></tr> <tr><td colspan="2" style="text-align: center;">220mA</td></tr> <tr><td colspan="2" style="text-align: center;">&lt;10ms</td></tr> <tr><td colspan="2" style="text-align: center;">RFI&gt;3V/m / EFT&gt;1KV / ESD&gt;4KV (contact)</td></tr> <tr><td colspan="2" style="text-align: center;">IEC 60947-5-2,Part 7.4.1 / IEC 60947-5-2,Part 7.4.2</td></tr> <tr><td colspan="2" style="text-align: center;">PBT</td></tr> <tr> <td style="text-align: center;"><u>FQP1-1410N-A3U2T</u></td> <td style="text-align: center;">1</td> </tr> <tr> <td style="text-align: center;"><u>FQP1-1410N-B3U2T</u></td> <td style="text-align: center;">2</td> </tr> <tr> <td style="text-align: center;"><u>FQP1-1410P-A3U2T</u></td> <td style="text-align: center;">3</td> </tr> <tr> <td style="text-align: center;"><u>FQP1-1410P-B3U2T</u></td> <td style="text-align: center;">4</td> </tr> <tr> <td colspan="2" style="text-align: center;">FQP1-1410C-A2U2T   7</td> </tr> <tr> <td colspan="2" style="text-align: center;">FQP1-1410C-B2U2T   8</td> </tr> <tr> <td colspan="2" style="text-align: center;"> <div style="border: 1px solid black; height: 50px; width: 100%;"></div> </td> </tr> <tr> <td colspan="2" style="text-align: center;"> <div style="border: 1px solid black; height: 50px; width: 100%;"></div> </td> </tr> <tr> <td colspan="2" style="text-align: center;"> <table border="1" style="width: 100%; border-collapse: collapse;"> <tr><td colspan="2" style="text-align: center;">4 ϕ 3x0.15</td></tr> <tr><td colspan="2" style="text-align: center;">Approx.110 g</td></tr> </table> </td> </tr> </table>		10-30VDC		<10%		<10mA		200mA		<0.01mA		-		-		<1.5V		500HZ		0.5ms/0.5ms		<15%(Sr)		<1.0%(Sr)		IP67		-25 °C - +70 °C		<10%(Sr)		YES		220mA		<10ms		RFI>3V/m / EFT>1KV / ESD>4KV (contact)		IEC 60947-5-2,Part 7.4.1 / IEC 60947-5-2,Part 7.4.2		PBT		<u>FQP1-1410N-A3U2T</u>	1	<u>FQP1-1410N-B3U2T</u>	2	<u>FQP1-1410P-A3U2T</u>	3	<u>FQP1-1410P-B3U2T</u>	4	FQP1-1410C-A2U2T   7		FQP1-1410C-B2U2T   8		<div style="border: 1px solid black; height: 50px; width: 100%;"></div>		<div style="border: 1px solid black; height: 50px; width: 100%;"></div>		<table border="1" style="width: 100%; border-collapse: collapse;"> <tr><td colspan="2" style="text-align: center;">4 ϕ 3x0.15</td></tr> <tr><td colspan="2" style="text-align: center;">Approx.110 g</td></tr> </table>		4 ϕ 3x0.15		Approx.110 g	
10-30VDC																																																																	
<10%																																																																	
<10mA																																																																	
200mA																																																																	
<0.01mA																																																																	
-																																																																	
-																																																																	
<1.5V																																																																	
500HZ																																																																	
0.5ms/0.5ms																																																																	
<15%(Sr)																																																																	
<1.0%(Sr)																																																																	
IP67																																																																	
-25 °C - +70 °C																																																																	
<10%(Sr)																																																																	
YES																																																																	
220mA																																																																	
<10ms																																																																	
RFI>3V/m / EFT>1KV / ESD>4KV (contact)																																																																	
IEC 60947-5-2,Part 7.4.1 / IEC 60947-5-2,Part 7.4.2																																																																	
PBT																																																																	
<u>FQP1-1410N-A3U2T</u>	1																																																																
<u>FQP1-1410N-B3U2T</u>	2																																																																
<u>FQP1-1410P-A3U2T</u>	3																																																																
<u>FQP1-1410P-B3U2T</u>	4																																																																
FQP1-1410C-A2U2T   7																																																																	
FQP1-1410C-B2U2T   8																																																																	
<div style="border: 1px solid black; height: 50px; width: 100%;"></div>																																																																	
<div style="border: 1px solid black; height: 50px; width: 100%;"></div>																																																																	
<table border="1" style="width: 100%; border-collapse: collapse;"> <tr><td colspan="2" style="text-align: center;">4 ϕ 3x0.15</td></tr> <tr><td colspan="2" style="text-align: center;">Approx.110 g</td></tr> </table>		4 ϕ 3x0.15		Approx.110 g																																																													
4 ϕ 3x0.15																																																																	
Approx.110 g																																																																	

**Note:**  
 Coming Soon : Part numbers with underline  
 In Preparation: Part numbers with a line through the middle

**C-01**

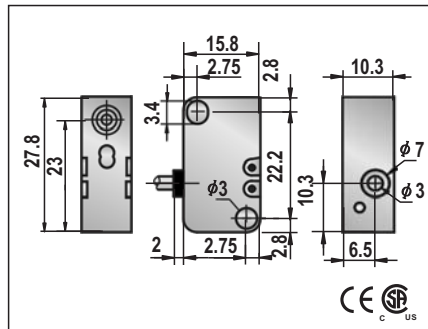


# Q16x28x10、Q16

## DC INDUCTIVE PROXIMITY SWITCH SQUARE TYPE

DC INDUCTIVE PROXIMITY SWITCH SQUARE TYPE

Q16x28x10	
●	○
1 mm	2 mm
PBT RESIN	
●	

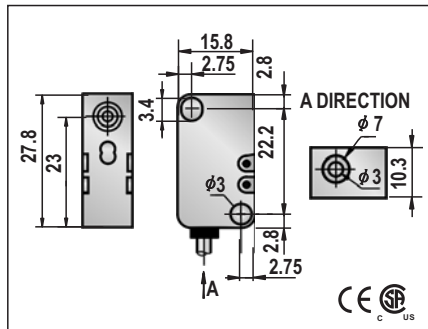


10-30VDC
<10%
<10mA
200mA
<0.01mA
-
-
<1.5V
2KHZ
0.1ms/0.1ms
<15%(Sr)
<1.0%(Sr)
IP67
-25 °C - +70 °C
<10%(Sr)
YES
220mA
<10ms
RFI>3V/m / EFT>1KV / ESD>4KV (contact)
IEC 60947-5-2,Part 7.4.1 / IEC 60947-5-2,Part 7.4.2
-

FQP1-Q2801N-A3U2X	1	FQP2-Q2802N-A3U2X	
FQP1-Q2801N-B3U2X	2	FQP2-Q2802N-B3U2X	
FQP1-Q2801P-A3U2X	3	FQP2-Q2802P-A3U2X	
FQP1-Q2801P-B3U2X	4	FQP2-Q2802P-B3U2X	
FQP1-Q2801C-A2U2X	7	FQP2-Q2802C-A2U2X	
FQP1-Q2801C-B2U2X	8	FQP2-Q2802C-B2U2X	

3 φ 3x0.15  
Approx.55 g

Q16x28x10	
●	○
1 mm	2 mm
PBT RESIN	
●	



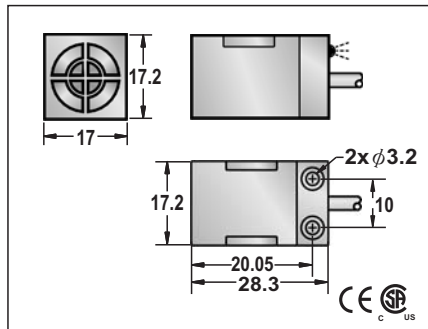
10-30VDC
<10%
<10mA
200mA
<0.01mA
-
-
<1.5V
2KHZ
0.1ms/0.1ms
<15%(Sr)
<1.0%(Sr)
IP67
-25 °C - +70 °C
<10%(Sr)
YES
220mA
<10ms
RFI>3V/m / EFT>1KV / ESD>4KV (contact)
IEC 60947-5-2,Part 7.4.1 / IEC 60947-5-2,Part 7.4.2
-

FQP1-2801N-A3U2	1	FQP2-2802N-A3U2	
FQP1-2801N-B3U2	2	FQP2-2802N-B3U2	
FQP1-2801P-A3U2	3	FQP2-2802P-A3U2	
FQP1-2801P-B3U2	4	FQP2-2802P-B3U2	
FQP1-2801C-A2U2	7	FQP2-2802C-A2U2	
FQP1-2801C-B2U2	8	FQP2-2802C-B2U2	

Please see Page 18 for details and specifications of DC 2-Wire models on this page.

3 φ 3x0.15  
Approx.55 g

Q 16	
○	
4 mm	
ABS RESIN	
●	



10-30VDC
<10%
<10mA
200mA
<0.01mA
-
-
<1.5V
500HZ
0.5ms/0.5ms
<15%(Sr)
<1.0%(Sr)
IP67
-25 °C - +70 °C
<10%(Sr)
YES
220mA
<10ms
RFI>3V/m / EFT>1KV / ESD>4KV (contact)
IEC 60947-5-2,Part 7.4.1 / IEC 60947-5-2,Part 7.4.2
-

FQP2-1604N-A3U2	1
FQP2-1604N-B3U2	2
FQP2-1604P-A3U2	3
FQP2-1604P-B3U2	4
FQP2-1604C-A2U2	7
FQP2-1604C-B2U2	8

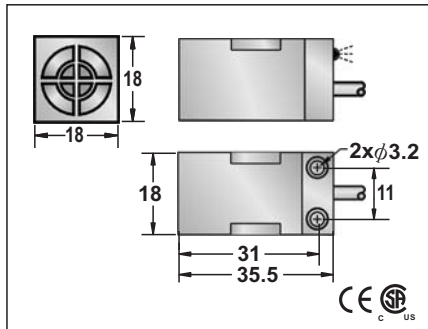
4 φ 3x0.15  
Approx.55 g

# Q18、Q18B、Q18C

## DC INDUCTIVE PROXIMITY SWITCH SQUARE TYPE

DC INDUCTIVE PROXIMITY SWITCH SQUARE TYPE

<b>Q 18</b>
○
4 mm
ABS RESIN
●



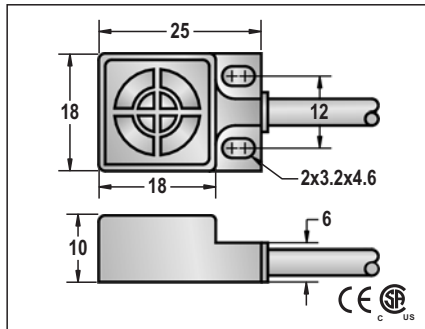
10-30VDC or 10-55VDC
<10%
<10mA or 20mA
200mA
<0.01mA
-
-
<1.5V or <2.0V
500HZ
0.5ms/0.5ms
<15%(Sr)
<1.0%(Sr)
IP67
-25 °C - +70 °C
<10%(Sr)
YES
220mA
<10ms
RFI>3V/m / EFT>1KV / ESD>4KV (contact)
IEC 60947-5-2,Part 7.4.1 / IEC 60947-5-2,Part 7.4.2
ABS

FQP2-1804N-A3U2	1
FQP2-1804N-B3U2	2
FQP2-1804P-A3U2	3
FQP2-1804P-B3U2	4
FQP2-1804C-A2U2	7
FQP2-1804C-B2U2	8
HQP2-1804N-A3U2	1
HQP2-1804N-B3U2	2
HQP2-1804P-A3U2	3
HQP2-1804P-B3U2	4

1. Voltage Drop:<1.5V(10-30V),<2V(10-55V).
2. 10-55V type: No Load Current < 20mA.
3. Please see Page 18 for details and specifications of DC 2-Wire models on this page.

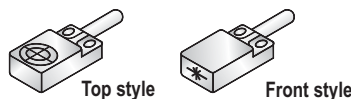
4 φ 3x0.15
Approx.58 g

<b>Q 18B</b>
○
2 mm
POM RESIN
●



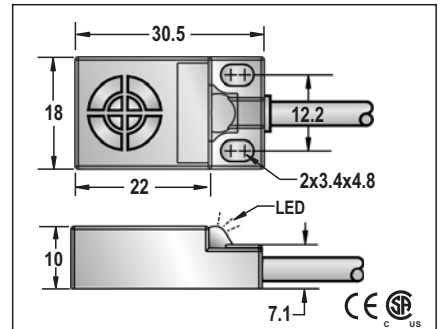
10-30VDC
<10%
<10mA
200mA
<0.01mA
-
-
<1.5V
500HZ
0.5ms/0.5ms
<15%(Sr)
<1.0%(Sr)
IP67
-25 °C - +70 °C
<10%(Sr)
YES
220mA
<10ms
RFI>3V/m / EFT>1KV / ESD>4KV (contact)
IEC 60947-5-2,Part 7.4.1 / IEC 60947-5-2,Part 7.4.2
POM

FQP2-18B02N-A3U2T	1	FQP2-18B02N-A3U2F
FQP2-18B02N-B3U2T	2	FQP2-18B02N-B3U2F
FQP2-18B02P-A3U2T	3	FQP2-18B02P-A3U2F
FQP2-18B02P-B3U2T	4	FQP2-18B02P-B3U2F
FQP2-18B02C-A2U2T	7	FQP2-18B02C-A2U2F
FQP2-18B02C-B2U2T	8	FQP2-18B02C-B2U2F



4 φ 3x0.15
Approx.46 g

<b>Q 18C</b>
●
4 mm
POM RESIN
●



10-30VDC or 10-55VDC
<10%
<10mA or <20mA
200mA
<0.01mA
-
-
<1.5V or 2.0V
500HZ
0.5ms/0.5ms
<15%(Sr)
<1.0%(Sr)
IP67
-25 °C - +70 °C
<10%(Sr)
YES
220mA
<10ms
RFI>3V/m / EFT>1KV / ESD>4KV (contact)
IEC 60947-5-2,Part 7.4.1 / IEC 60947-5-2,Part 7.4.2
POM

FQP2-18C04N-A3U2T	1
FQP2-18C04N-B3U2T	2
FQP2-18C04P-A3U2T	3
FQP2-18C04P-B3U2T	4
FQP2-18C04C-A2U2T	7
FQP2-18C04C-B2U2T	8
HQP2-18C04N-A3U2T	1
HQP2-18C04N-B3U2T	2
HQP2-18C04P-A3U2T	3
HQP2-18C04P-B3U2T	4

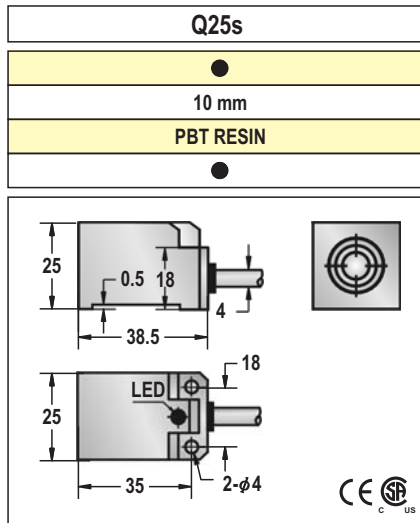
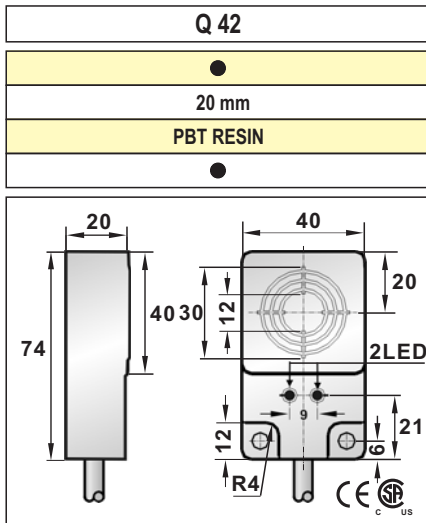


4 φ 3x0.15
Approx.51 g

Note:

Coming Soon : Part numbers with underline  
 In Preparation: Part numbers with a line through the middle

## DC INDUCTIVE PROXIMITY SWITCH SQUARE TYPE



10-30VDC
<10%
<10mA
200mA
<0.01mA
-
<1.5V
500HZ
0.5ms/0.5ms
<15%(Sr)
<1.0%(Sr)
IP67
-25 °C - +70 °C
<10%(Sr)
YES
220mA
<10ms
RFI>3V/m / EFT>1KV / ESD>4KV (contact)
IEC 60947-5-2,Part 7.4.1 / IEC 60947-5-2,Part 7.4.2
PBT

<u>FQP1-2020N-A3U2T</u>	1
<u>FQP1-2020N-B3U2T</u>	2
<u>FQP1-2020P-A3U2T</u>	3
<u>FQP1-2020P-B3U2T</u>	4

10-30VDC or 10-55VDC
<10%
<10mA or <20mA
200mA
<0.01mA
-
<1.5V or 2.0V
300HZ
0.5ms/0.5ms
<15%(Sr)
<1.0%(Sr)
IP67
-25 °C - +70 °C
<10%(Sr)
YES
220mA
<10ms
RFI>3V/m / EFT>1KV / ESD>4KV (contact)
IEC 60947-5-2,Part 7.4.1 / IEC 60947-5-2,Part 7.4.2
-

<u>FQP1-2510N-A3S2F</u>	1
<u>FQP1-2510N-B3S2F</u>	2
<u>FQP1-2510P-A3S2F</u>	3
<u>FQP1-2510P-B3S2F</u>	4
<u>FQP1-2510P-S4S2F</u>	6
<u>FQP1-2510N-S4S2F</u>	5
<u>FQP1-2510C-A2S2F</u>	7
<u>FQP1-2510C-B2S2F</u>	8
<u>HQP1-2510N-A3S2F</u>	1
<u>HQP1-2510N-B3S2F</u>	2
<u>HQP1-2510P-A3S2F</u>	3
<u>HQP1-2510P-B3S2F</u>	4

Please see Page 18 for details and specifications of DC 2-Wire models on this page.

1. Voltage Drop:<1.5V(10-30V),<2V(10-55V).
2. 10-55V type: No Load Current < 20mA.

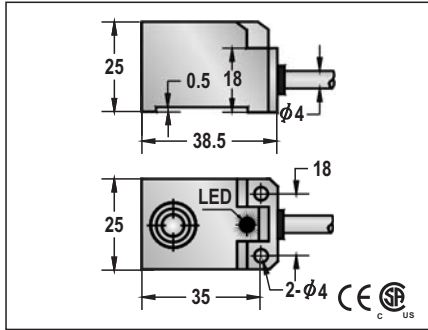
4 φ 3x0.15
Approx.130 g

4 φ 3x0.34
Approx.110 g

Note:  
Coming Soon : Part numbers with underline

## DC INDUCTIVE PROXIMITY SWITCH SQUARE TYPE

<b>Q25s</b>
●
10 mm
PBT RESIN
●

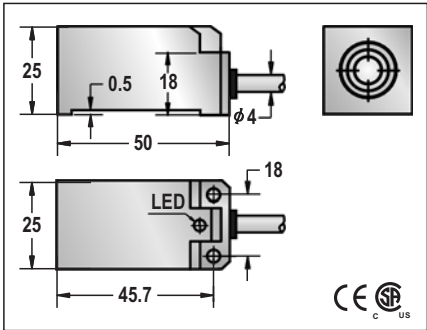


10-30VDC or 10-55VDC
<10%
<10mA or <20mA
200mA
<0.01mA
-
-
<1.5V or <2.0V
300HZ
0.5ms/0.5ms
<15%(Sr)
<1.0%(Sr)
IP67
-25°C - +75°C
<10%(Sr)
YES
220mA
<10ms
RFI>3V/m / EFT>1KV / ESD>4KV (contact)
IEC 60947-5-2, Part 7.4.1 / IEC 60947-5-2, Part 7.4.2
PBT

<u>FQP1-2510N-A3S2T</u>	1
<u>FQP1-2510N-B3S2T</u>	2
<u>FQP1-2510P-A3S2T</u>	3
<u>FQP1-2510P-B3S2T</u>	4
<u>FQP1-2510P-S4S2T</u>	6
<u>FQP1-2510N-S4S2T</u>	5
<u>FQP1-2510C-A2S2T</u>	7
<u>FQP1-2510C-B2S2T</u>	8
<u>HQP1-2510N-A3S2T</u>	1
<u>HQP1-2510N-B3S2T</u>	2
<u>HQP1-2510P-A3S2T</u>	3
<u>HQP1-2510P-B3S2T</u>	4

1. Voltage Drop:<1.5V(10-30V),<2V(10-55V).
2. 10-55V type: No Load Current < 20mA.
4 ϕ 3x0.34
Approx.110 g

<b>Q25</b>
●
10 mm
PBT RESIN
●

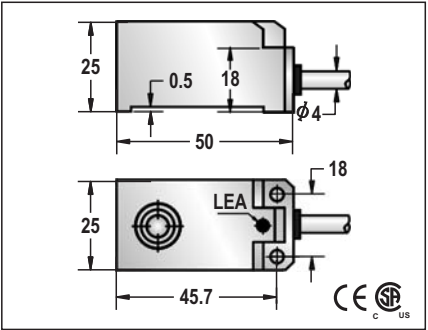


10-30VDC or 10-55VDC
<10%
<10mA or <20mA
200mA
<0.01mA
-
-
<1.5V or <2.0V
300HZ
0.5ms/0.5ms
<15%(Sr)
<1.0%(Sr)
IP67
-25°C - +70°C
<10%(Sr)
YES
220mA
<10ms
RFI>3V/m / EFT>1KV / ESD>4KV (contact)
IEC 60947-5-2, Part 7.4.1 / IEC 60947-5-2, Part 7.4.2
PBT

<u>FQP1-2510N-A3U2F</u>	1
<u>FQP1-2510N-B3U2F</u>	2
<u>FQP1-2510P-A3U2F</u>	3
<u>FQP1-2510P-B3U2F</u>	4
<u>FQP1-2510P-S4U2F</u>	6
<u>FQP1-2510N-S4U2F</u>	5
<u>FQP1-2510C-A2U2F</u>	7
<u>FQP1-2510C-B2U2F</u>	8
<u>HQP1-2510N-A3U2F</u>	1
<u>HQP1-2510N-B3U2F</u>	2
<u>HQP1-2510P-A3U2F</u>	3
<u>HQP1-2510P-B3U2F</u>	4

Please see Page 18 for details and specifications of DC 2-Wire models on this page.
4 ϕ 3x0.34
Approx.110 g

<b>Q25</b>
●
10 mm
PBT RESIN
●



10-30VDC or 10-55VDC
<10%
<10mA or <20mA
200mA
<0.01mA
-
-
<1.5V or <2.0V
300HZ
0.5ms/0.5ms
<15%(Sr)
<1.0%(Sr)
IP67
-25°C - +75°C
<10%(Sr)
YES
220mA
<10ms
RFI>3V/m / EFT>1KV / ESD>4KV (contact)
IEC 60947-5-2, Part 7.4.1 / IEC 60947-5-2, Part 7.4.2
PBT

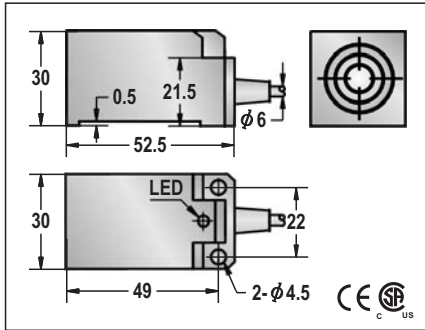
<u>FQP1-2510N-A3U2T</u>	1
<u>FQP1-2510N-B3U2T</u>	2
<u>FQP1-2510P-A3U2T</u>	3
<u>FQP1-2510P-B3U2T</u>	4
<u>FQP1-2510P-S4U2T</u>	6
<u>FQP1-2510N-S4U2T</u>	5
<u>FQP1-2510C-A2U2T</u>	7
<u>FQP1-2510C-B2U2T</u>	8
<u>HQP1-2510N-A3U2T</u>	1
<u>HQP1-2510N-B3U2T</u>	2
<u>HQP1-2510P-A3U2T</u>	3
<u>HQP1-2510P-B3U2T</u>	4

4 ϕ 3x0.34
Approx.120 g

Note:  
Coming Soon : Part numbers with underline

## DC INDUCTIVE PROXIMITY SWITCH SQUARE TYPE

Q30	
●	○
10 mm	15 mm
PBT RESIN	
●	

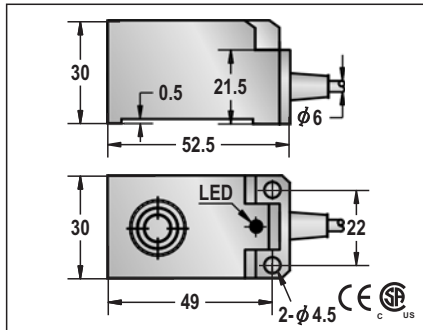


10-30VDC or 10-55VDC
<10%
<10mA or <20mA
200mA
<0.01mA
-
<1.5V or <2.0V
100HZ
1ms/1ms
<15%(Sr)
<1.0%(Sr)
IP67
-25 °C - +70 °C
<10%(Sr)
YES
220mA
<10ms
RFI>3V/m / EFT>1KV / ESD>4KV (contact)
IEC 60947-5-2, Part 7.4.1 / IEC 60947-5-2, Part 7.4.2
PBT

FQP1-3010N-A3U2F	1	FQP2-3015N-A3U2F
FQP1-3010N-B3U2F	2	FQP2-3015N-B3U2F
FQP1-3010P-A3U2F	3	FQP2-3015P-A3U2F
FQP1-3010P-B3U2F	4	FQP2-3015P-B3U2F
FQP1-3010P-S4U2F	6	FQP2-3015P-S4U2F
FQP1-3010N-S4U2F	5	FQP2-3015N-S4U2F
FQP1-3010C-A2U2F	7	FQP2-3015C-A2U2F
FQP1-3010C-B2U2F	8	FQP2-3015C-B2U2F
HQP1-3010N-A3U2F	1	HQP2-3015N-A3U2F
HQP1-3010N-B3U2F	2	HQP2-3015N-B3U2F
HQP1-3010P-A3U2F	3	HQP2-3015P-A3U2F
HQP1-3010P-B3U2F	4	HQP2-3015P-B3U2F

1.Voltage Drop:<1.5V(10-30V),<2V(10-55V).
2. 10-55V type: No Load Current < 20mA.
5.8φ 3x0.5
Approx.155 g

Q30	
●	○
10 mm	15 mm
PBT RESIN	
●	

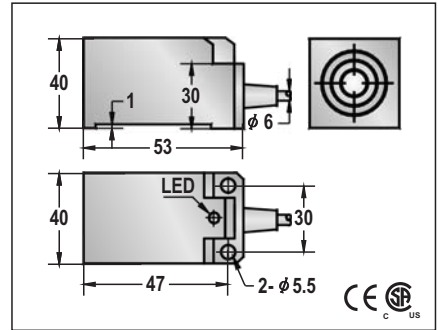


10-30VDC or 10-55VDC
<10%
<10mA or <20mA
200mA
<0.01mA
-
<1.5V or <2.0V
100HZ
1ms/1ms
<15%(Sr)
<1.0%(Sr)
IP67
-25 °C - +75 °C
<10%(Sr)
YES
220mA
<10ms
RFI>3V/m / EFT>1KV / ESD>4KV (contact)
IEC 60947-5-2, Part 7.4.1 / IEC 60947-5-2, Part 7.4.2
PBT

FQP1-3010N-A3U2T	1	FQP2-3015N-A3U2T
FQP1-3010N-B3U2T	2	FQP2-3015N-B3U2T
FQP1-3010P-A3U2T	3	FQP2-3015P-A3U2T
FQP1-3010P-B3U2T	4	FQP2-3015P-B3U2T
FQP1-3010P-S4U2T	6	FQP2-3015P-S4U2T
FQP1-3010N-S4U2T	5	FQP2-3015N-S4U2T
FQP1-3010C-A2U2T	7	FQP2-3015C-A2U2T
FQP1-3010C-B2U2T	8	FQP2-3015C-B2U2T
HQP1-3010N-A3U2T	1	HQP2-3015N-A3U2T
HQP1-3010N-B3U2T	2	HQP2-3015N-B3U2T
HQP1-3010P-A3U2T	3	HQP2-3015P-A3U2T
HQP1-3010P-B3U2T	4	HQP2-3015P-B3U2T

Please see Page 18 for details and specifications of DC 2-Wire models on this page.
5.8φ 3x0.5
Approx.155 g

Q40	
●	○
15 mm	30 mm
PBT RESIN	
●	



10-30VDC or 10-55VDC
<10%
<10mA or <20mA
200mA
<0.01mA
-
<1.5V or <2.0V
100HZ
1ms/1ms
<15%(Sr)
<1.0%(Sr)
IP67
-25 °C - +70 °C
<10%(Sr)
YES
220mA
<10ms
RFI>3V/m / EFT>1KV / ESD>4KV (contact)
IEC 60947-5-2, Part 7.4.1 / IEC 60947-5-2, Part 7.4.2
PBT

FQP1-4515N-A3U2F	1	FQP2-4530N-A3U2F
FQP1-4515N-B3U2F	2	FQP2-4530N-B3U2F
FQP1-4515P-A3U2F	3	FQP2-4530P-A3U2F
FQP1-4515P-B3U2F	4	FQP2-4530P-B3U2F
FQP1-4515P-S4U2F	6	FQP2-4530P-S4U2F
FQP1-4515N-S4U2F	5	FQP2-4530N-S4U2F
FQP1-4515C-A2U2F	7	FQP2-4530C-A2U2F
FQP1-4515C-B2U2F	8	FQP2-4530C-B2U2F
HQP1-4515N-A3U2F	1	HQP2-4530N-A3U2F
HQP1-4515N-B3U2F	2	HQP2-4530N-B3U2F
HQP1-4515P-A3U2F	3	HQP2-4530P-A3U2F
HQP1-4515P-B3U2F	4	HQP2-4530P-B3U2F

5.8φ 3x0.5
Approx.190 g

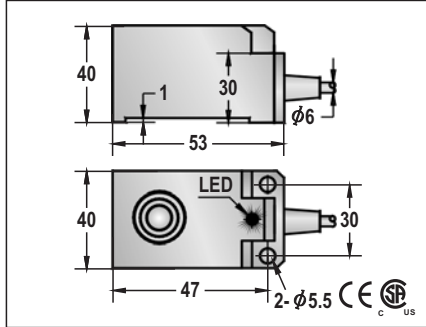
**Note:**  
Coming Soon : Part numbers with underline  
In Preparation: Part numbers with a line through the middle

# Q40、Q25x40x12、Q30x45x12

## DC INDUCTIVE PROXIMITY SWITCH SQUARE TYPE

DC INDUCTIVE PROXIMITY SWITCH SQUARE TYPE

Q40	
●	○
15 mm	30 mm
PBT RESIN	
●	

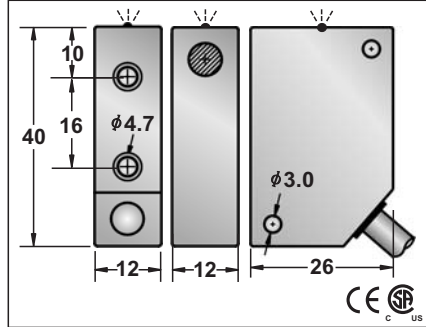


10-30VDC or 10-55VDC	
<10%	
<10mA	or <20mA
200mA	
<0.01mA	
-	
-	
<1.5V	or <2.0V
100HZ	
1ms/1ms	
<15%(Sr)	
<1.0%(Sr)	
IP67	
-25 °C - +70 °C	
<10%(Sr)	
YES	
220mA	
<10ms	
RFI>3V/m / EFT>1KV / ESD>4KV (contact)	
IEC 60947-5-2,Part 7.4.1 / IEC 60947-5-2,Part 7.4.2	
PBT	

FQP1-4515N-A3U2T	1	FQP2-4530N-A3U2T
FQP1-4515N-B3U2T	2	FQP2-4530N-B3U2T
FQP1-4515P-A3U2T	3	FQP2-4530P-A3U2T
FQP1-4515P-B3U2T	4	FQP2-4530P-B3U2T
FQP1-4515P-S4U2T	6	FQP2-4530P-S4U2T
<u>FQP1-4515N-S4U2T</u>	5	<u>FQP2-4530N-S4U2T</u>
FQP1-4515C-A2U2T	7	FQP2-4530C-A2U2T
FQP1-4515C-B2U2T	8	FQP2-4530C-B2U2T
HQP1-4515N-A3U2T	1	HQP2-4530N-A3U2T
HQP1-4515N-B3U2T	2	HQP2-4530N-B3U2T
HQP1-4515P-A3U2T	3	HQP2-4530P-A3U2T
HQP1-4515P-B3U2T	4	HQP2-4530P-B3U2T

1. Voltage Drop:<1.5V(10-30V),<2V(10-55V).
2. 10-55V type: No Load Current < 20mA.
5.8 φ 3x0.5
Approx.190 g

Q25x40x12	
●	○
2 mm	4 mm
PBT RESIN	
●	

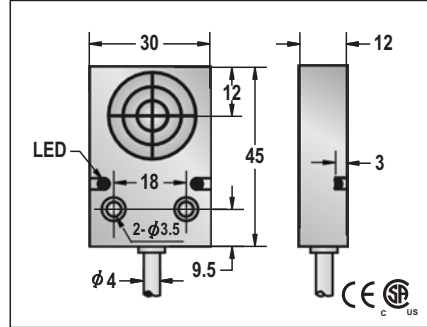


10-30VDC or 10-55VDC	
<10%	
<10mA	or <20mA
200mA	
<0.01mA	
-	
-	
<1.5V	or <2.0V
300HZ	
100HZ	
0.5ms/0.5ms	
1ms/1ms	
<15%(Sr)	
<1.0%(Sr)	
IP67	
-25 °C - +70 °C	
<10%(Sr)	
YES	
220mA	
<10ms	
RFI>3V/m / EFT>1KV / ESD>4KV (contact)	
IEC 60947-5-2,Part 7.4.1 / IEC 60947-5-2,Part 7.4.2	
PBT	

FQP1-4002N-A3U2	1	FQP2-4004N-A3U2
FQP1-4002N-B3U2	2	FQP2-4004N-B3U2
FQP1-4002P-A3U2	3	FQP2-4004P-A3U2
FQP1-4002P-B3U2	4	FQP2-4004P-B3U2
FQP1-4002P-S4U2	6	FQP2-4004P-S4U2
FQP1-4002N-S4U2	5	FQP2-4004N-S4U2
FQP1-4002C-A2U2	7	FQP2-4004C-A2U2
FQP1-4002C-B2U2	8	FQP2-4004C-B2U2
HQP1-4002N-A3U2	1	HQP2-4004N-A3U2
HQP1-4002N-B3U2	2	HQP2-4004N-B3U2
HQP1-4002P-A3U2	3	HQP2-4004P-A3U2
HQP1-4002P-B3U2	4	HQP2-4004P-B3U2

Please see Page 18 for details and specifications of DC 2-Wire models on this page.
4.0 φ 3x0.15
Approx.133 g

Q30x45x12	
●	○
10 mm	15 mm
PBT RESIN	
●	



10-30VDC or 10-55VDC	
<10%	
<10mA	or <20mA
200mA	
<0.01mA	
-	
-	
<1.5V	or <2.0V
100HZ	
1ms/1ms	
<15%(Sr)	
<1.0%(Sr)	
IP67	
-25 °C - +70 °C	
<10%(Sr)	
YES	
220mA	
<10ms	
RFI>3V/m / EFT>1KV / ESD>4KV (contact)	
IEC 60947-5-2,Part 7.4.1 / IEC 60947-5-2,Part 7.4.2	
PBT	

FQP1-3110N-A3U2T	1	FQP2-3115N-A3U2T
FQP1-3110N-B3U2T	2	FQP2-3115N-B3U2T
FQP1-3110P-A3U2T	3	FQP2-3115P-A3U2T
FQP1-3110P-B3U2T	4	FQP2-3115P-B3U2T
FQP1-3110P-S4U2T	6	FQP2-3115P-S4U2T
<u>FQP1-3110N-S4U2T</u>	5	<u>FQP2-3115N-S4U2T</u>
FQP1-3110C-A2U2T	7	FQP2-3115C-A2U2T
FQP1-3110C-B2U2T	8	FQP2-3115C-B2U2T
HQP1-3110N-A3U2T	1	HQP2-3115N-A3U2T
HQP1-3110N-B3U2T	2	HQP2-3115N-B3U2T
HQP1-3110P-A3U2T	3	HQP2-3115P-A3U2T
HQP1-3110P-B3U2T	4	HQP2-3115P-B3U2T

4 φ 3x0.34
Approx.100 g

**Note:**  
 Coming Soon : Part numbers with underline  
 In Preparation: Part numbers with a line through the middle **C-08**

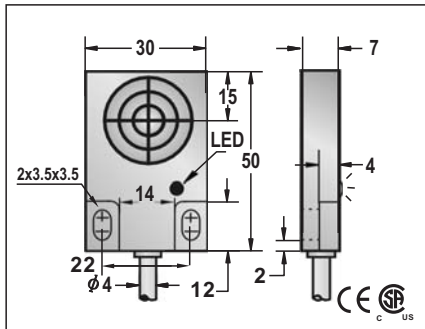


# Q30x50x7、Q40x50x17、Q35x55x15

## DC INDUCTIVE PROXIMITY SWITCH SQUARE TYPE

DC INDUCTIVE PROXIMITY SWITCH  
SQUARE TYPE

Q30x50x7	
●	○
10 mm	15 mm
PBT RESIN	
●	

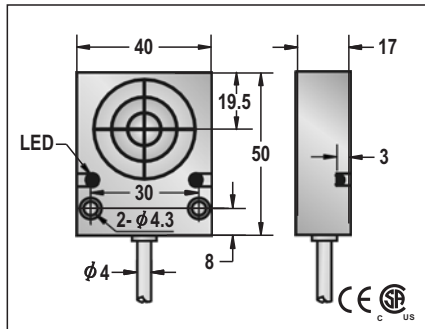


10-30VDC or 10-55VDC	
<10%	
<10mA or <20mA	
200mA	
<0.01mA	
-	
-	
<1.5V or <2.0V	
100HZ	
1ms/1ms	
<15%(Sr)	
<1.0%(Sr)	
IP67	
-25°C - +70°C	
<10%(Sr)	
YES	
220mA	
<10ms	
RFI>3V/m / EFT>1KV / ESD>4KV (contact)	
IEC 60947-5-2,Part 7.4.1 / IEC 60947-5-2,Part 7.4.2	
PBT	

FQP1-3110N-A3S2T	1	FQP2-3115N-A3S2T
FQP1-3110N-B3S2T	2	FQP2-3115N-B3S2T
FQP1-3110P-A3S2T	3	FQP2-3115P-A3S2T
FQP1-3110P-B3S2T	4	FQP2-3115P-B3S2T
FQP1-3110P-S4S2T	6	FQP2-3115P-S4S2T
FQP1-3110N-S4S2T	5	FQP2-3115N-S4S2T
FQP1-3410C-A2S2T	7	FQP2-3415C-A2S2T
FQP1-3410C-B2S2T	8	FQP2-3415C-B2S2T
HQP1-3410N-A3S2T	1	HQP2-3415N-A3S2T
HQP1-3410N-B3S2T	2	HQP2-3415N-B3S2T
HQP1-3410P-A3S2T	3	HQP2-3415P-A3S2T
HQP1-3410P-B3S2T	4	HQP2-3415P-B3S2T

1. Voltage Drop:<1.5V(10-30V),<2V(10-55V).	
2. 10-55V type: No Load Current < 20mA.	
4 φ3x0.34	
Approx.100 g	

Q40x50x17	
●	○
15 mm	30 mm
PBT RESIN	
●	

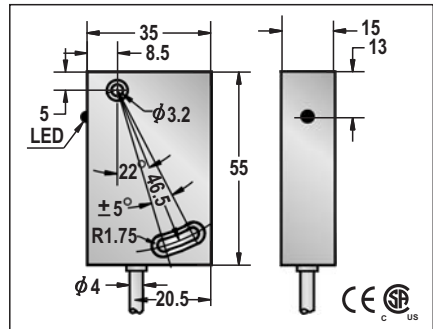


10-30VDC or 10-55VDC	
<10%	
<10mA or <20mA	
200mA	
<0.01mA	
-	
-	
<1.5V or <2.0V	
100HZ	
1ms/1ms	
<15%(Sr)	
<1.0%(Sr)	
IP67	
-25°C - +70°C	
<10%(Sr)	
YES	
220mA	
<10ms	
RFI>3V/m / EFT>1KV / ESD>4KV (contact)	
IEC 60947-5-2,Part 7.4.1 / IEC 60947-5-2,Part 7.4.2	
PBT	

FQP1-4115N-A3U2T	1	FQP2-4130N-A3U2T
FQP1-4115N-B3U2T	2	FQP2-4130N-B3U2T
FQP1-4115P-A3U2T	3	FQP2-4130P-A3U2T
FQP1-4115P-B3U2T	4	FQP2-4130P-B3U2T
FQP1-4115P-S4U2T	6	FQP2-4130P-S4U2T
FQP1-4115N-S4U2T	5	FQP2-4130N-S4U2T
FQP1-4115C-A2U2T	7	FQP2-4130C-A2U2T
FQP1-4115C-B2U2T	8	FQP2-4130C-B2U2T
HQP1-4115N-A3U2T	1	HQP2-4130N-A3U2T
HQP1-4115N-B3U2T	2	HQP2-4130N-B3U2T
HQP1-4115P-A3U2T	3	HQP2-4130P-A3U2T
HQP1-4115P-B3U2T	4	HQP2-4130P-B3U2T

Please see Page 18 for details and specifications of DC 2-Wire models on this page.	
4 φ3x0.34	
Approx.120 g	

Q35x55x15	
●	○
10 mm	15 mm
PBT RESIN	
●	



10-30VDC or 10-55VDC	
<10%	
<10mA or <20mA	
200mA	
<0.01mA	
-	
-	
<1.5V or <2.0V	
100HZ	
1ms/1ms	
<15%(Sr)	
<1.0%(Sr)	
IP67	
-25°C - +70°C	
<10%(Sr)	
YES	
220mA	
<10ms	
RFI>3V/m / EFT>1KV / ESD>4KV (contact)	
IEC 60947-5-2,Part 7.4.1 / IEC 60947-5-2,Part 7.4.2	
PBT	

FQP1-3510N-A3U2T	1	FQP2-3515N-A3U2T
FQP1-3510N-B3U2T	2	FQP2-3515N-B3U2T
FQP1-3510P-A3U2T	3	FQP2-3515P-A3U2T
FQP1-3510P-B3U2T	4	FQP2-3515P-B3U2T
FQP1-3510P-S4U2T	6	FQP2-3515P-S4U2T
FQP1-3510N-S4U2T	5	FQP2-3515N-S4U2T
FQP1-3510C-A2U2T	7	FQP2-3515C-A2U2T
FQP1-3510C-B2U2T	8	FQP2-3515C-B2U2T
HQP1-3510N-A3U2T	1	HQP2-3515N-A3U2T
HQP1-3510N-B3U2T	2	HQP2-3515N-B3U2T
HQP1-3510P-A3U2T	3	HQP2-3515P-A3U2T
HQP1-3510P-B3U2T	4	HQP2-3515P-B3U2T

4 φ3x0.34	
Approx.110 g	

**Note:**  
Coming Soon : Part numbers with underline  
In Preparation: Part numbers with a line through the middle

