

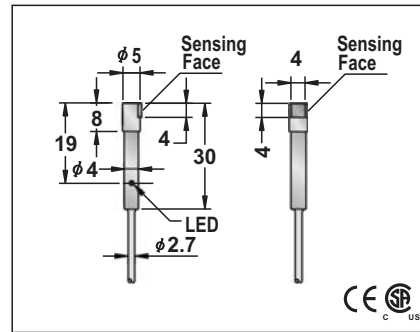
PART B-01 ~ B-13

| |
|---------------------------|
| Diameter |
| ● Shielded ○ non-Shielded |
| Switching Distance Sn mm |
| Housing Material |
| ● With LED ○ Without LED |

Dimensions (unit: mm)

SIDE SENSING DC INDUCTIVE PROXIMITY SWITCH

| |
|-----------------|
| φ4 |
| ● |
| 0.8 mm |
| stainless steel |
| ● |



| |
|-------------------|
| 10-30VDC or 5-36V |
| <10% |
| <10mA |
| 200mA |
| <0.01mA |
| - |
| - |
| <1.5V |
| 2KHZ |
| 0.1ms/0.1ms |
| <15%(Sr) |
| <1.0%(Sr) |
| IP67 |
| -25°C - +70°C |
| <10%(Sr) |
| YES |
| 220mA |
| <10ms |

| |
|---|
| RFI>3V/m / EFT>1KV / ESD>4KV (contact) |
| IEC 60947-5-2,Part 7.4.1 / IEC 60947-5-2,Part 7.4.2 |
| POM |

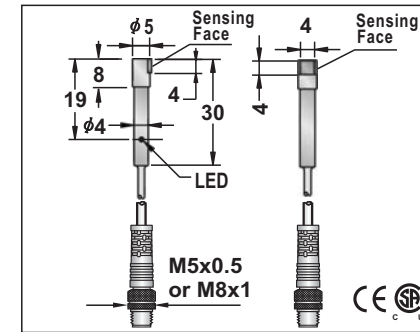
| | |
|--------------------|---|
| FCU1-D040.8N-A3U2T | 1 |
| FCU1-D040.8N-B3U2T | 2 |
| FCU1-D040.8P-A3U2T | 3 |
| FCU1-D040.8P-B3U2T | 4 |

| | |
|--------------------|----|
| FCU1-D040.8NUT | 21 |
| ICU1-D040.8N-A3U2T | 1 |
| ICU1-D040.8N-B3U2T | 2 |
| ICU1-D040.8P-A3U2T | 3 |
| ICU1-D040.8P-B3U2T | 4 |

Remark
NAMUR type specifications see page 23.

| |
|-------------|
| 2.7 φ3x0.15 |
| approx.25 g |

| |
|-----------------|
| φ4 |
| ● |
| 0.8 mm |
| stainless steel |
| ● |



| |
|-------------------|
| 10-30VDC or 5-36V |
| <10% |
| <10mA |
| 200mA |
| <0.01mA |
| - |
| - |
| <1.5V |
| 2KHZ |
| 0.1ms/0.1ms |
| <15%(Sr) |
| <1.0%(Sr) |
| IP67 |
| -25°C - +70°C |
| <10%(Sr) |
| YES |
| 220mA |
| <10ms |

| |
|---|
| RFI>3V/m / EFT>1KV / ESD>4KV (contact) |
| IEC 60947-5-2,Part 7.4.1 / IEC 60947-5-2,Part 7.4.2 |
| POM |

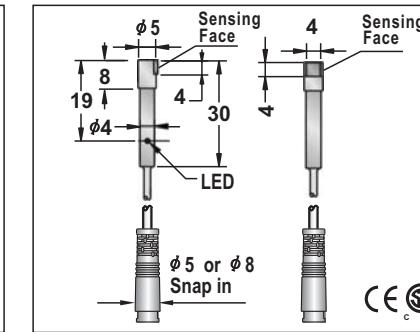
| | | | |
|-------------------------|----|-------------------------|----|
| FCU1-D040.8N-A3U0.2T/P5 | 25 | FCU1-D040.8N-A3U0.2T/P8 | 29 |
| FCU1-D040.8N-B3U0.2T/P5 | 26 | FCU1-D040.8N-B3U0.2T/P8 | 30 |
| FCU1-D040.8P-A3U0.2T/P5 | 27 | FCU1-D040.8P-A3U0.2T/P8 | 31 |
| FCU1-D040.8P-B3U0.2T/P5 | 28 | FCU1-D040.8P-B3U0.2T/P8 | 32 |

| | | | |
|-------------------------|----|-------------------------|----|
| FCU1-D040.8NUT/P5 | 21 | FCU1-D040.8NUT/P8 | 21 |
| ICU1-D040.8N-A3U0.2T/P5 | 25 | ICU1-D040.8N-A3U0.2T/P8 | 29 |
| ICU1-D040.8N-B3U0.2T/P5 | 26 | ICU1-D040.8N-B3U0.2T/P8 | 30 |
| ICU1-D040.8P-A3U0.2T/P5 | 27 | ICU1-D040.8P-A3U0.2T/P8 | 31 |
| ICU1-D040.8P-B3U0.2T/P5 | 28 | ICU1-D040.8P-B3U0.2T/P8 | 32 |

Remark
FCU***/P5
└─ M5 Pigtail mode
FCU***/P8
└─ M8 Pigtail mode

| | |
|-------------|-------------|
| 2.7 φ3x0.15 | |
| approx.25 g | Approx.26 g |

| |
|-----------------|
| φ4 |
| ● |
| 0.8 mm |
| stainless steel |
| ● |



| |
|-------------------|
| 10-30VDC or 5-36V |
| <10% |
| <10mA |
| 200mA |
| <0.01mA |
| - |
| - |
| <1.5V |
| 2KHZ |
| 0.1ms/0.1ms |
| <15%(Sr) |
| <1.0%(Sr) |
| IP67 |
| -25°C - +70°C |
| <10%(Sr) |
| YES |
| 220mA |
| <10ms |

| |
|---|
| RFI>3V/m / EFT>1KV / ESD>4KV (contact) |
| IEC 60947-5-2,Part 7.4.1 / IEC 60947-5-2,Part 7.4.2 |
| POM |

| | | | |
|--------------------------|----|--------------------------|----|
| FCU1-D040.8N-A3U0.2T/SN5 | 25 | FCU1-D040.8N-A3U0.2T/SN8 | 29 |
| FCU1-D040.8N-B3U0.2T/SN5 | 26 | FCU1-D040.8N-B3U0.2T/SN8 | 30 |
| FCU1-D040.8P-A3U0.2T/SN5 | 27 | FCU1-D040.8P-A3U0.2T/SN8 | 31 |
| FCU1-D040.8P-B3U0.2T/SN5 | 28 | FCU1-D040.8P-B3U0.2T/SN8 | 32 |

| | | | |
|--------------------------|----|--------------------------|----|
| FCU1-D040.8NUT/SN5 | 21 | FCU1-D040.8NUT/SN8 | 21 |
| ICU1-D040.8N-A3U0.2T/SN5 | 25 | ICU1-D040.8N-A3U0.2T/SN8 | 29 |
| ICU1-D040.8N-B3U0.2T/SN5 | 26 | ICU1-D040.8N-B3U0.2T/SN8 | 30 |
| ICU1-D040.8P-A3U0.2T/SN5 | 27 | ICU1-D040.8P-A3U0.2T/SN8 | 31 |
| ICU1-D040.8P-B3U0.2T/SN5 | 28 | ICU1-D040.8P-B3U0.2T/SN8 | 32 |

Remark
FCU***/SN5
└─ φ5 Pigtail mode
FCU***/SN8
└─ φ8 Pigtail mode

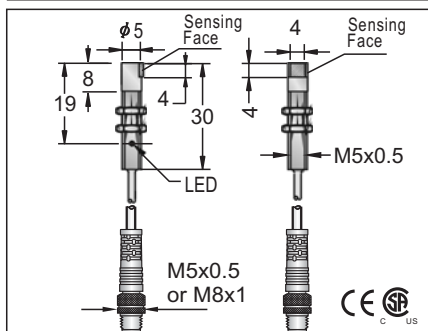
| | |
|-------------|-------------|
| 2.7 φ3x0.15 | |
| approx.25 g | Approx.26 g |

Note:
Coming Soon : Part numbers with underline

SIDE SENSING DC INDUCTIVE PROXIMITY SWITCH

SIDE SENSING DC INDUCTIVE PROXIMITY SWITCH

| |
|------------------------|
| M5 |
| ● |
| 0.8 mm |
| stainless steel |
| ● |



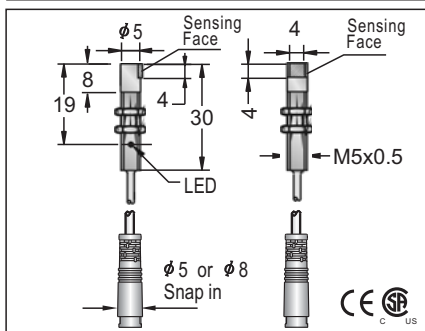
| |
|---|
| 10-30VDC or 5-36VDC |
| <10% |
| <10mA |
| 200mA |
| <0.01mA |
| - |
| - |
| <1.5V |
| 2KHZ |
| 0.1ms/0.1ms |
| <1.0%(Sr) |
| IP67 |
| -25°C - +70°C |
| <10%(Sr) |
| YES |
| 220mA |
| <10ms |
| RFI>3V/m / EFT>1KV / ESD>4KV (contact) |
| IEC 60947-5-2,Part 7.4.1 / IEC 60947-5-2,Part 7.4.2 |
| POM |

| | | | |
|-------------------------------|----|-------------------------------|----|
| <u>FCU1-050.8N-A3U0.2T/P5</u> | 25 | <u>FCU1-050.8N-A3U0.2T/P8</u> | 29 |
| <u>FCU1-050.8N-B3U0.2T/P5</u> | 26 | <u>FCU1-050.8N-B3U0.2T/P8</u> | 30 |
| <u>FCU1-050.8P-A3U0.2T/P5</u> | 27 | <u>FCU1-050.8P-A3U0.2T/P8</u> | 31 |
| <u>FCU1-050.8P-B3U0.2T/P5</u> | 28 | <u>FCU1-050.8P-B3U0.2T/P8</u> | 32 |
| FCU1-050.8NUT/P5 | 21 | FCU1-050.8NUT/P8 | 21 |
| <u>ICU1-050.8N-A3U0.2T/P5</u> | 25 | <u>ICU1-050.8N-A3U0.2T/P8</u> | 29 |
| <u>ICU1-050.8N-B3U0.2T/P5</u> | 26 | <u>ICU1-050.8N-B3U0.2T/P8</u> | 30 |
| <u>ICU1-050.8P-A3U0.2T/P5</u> | 27 | <u>ICU1-050.8P-A3U0.2T/P8</u> | 31 |
| <u>ICU1-050.8P-B3U0.2T/P5</u> | 28 | <u>ICU1-050.8P-B3U0.2T/P8</u> | 32 |

| | |
|-----------|--------------------|
| FCU***/P5 | └─ M5 Pigtail mode |
| FCU***/P8 | └─ M8 Pigtail mode |

| | |
|-------------|-------------|
| 2.7φ3x0.15 | |
| Approx.25 g | Approx.26 g |

| |
|------------------------|
| M5 |
| ● |
| 0.8 mm |
| stainless steel |
| ● |



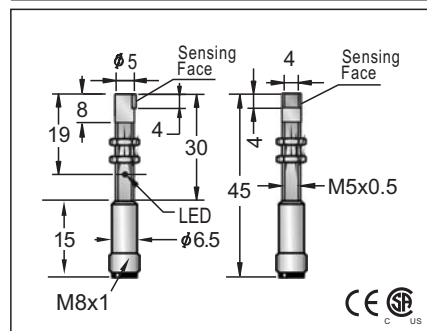
| |
|---|
| 10-30VDC or 5-36VDC |
| <10% |
| <10mA |
| 200mA |
| <0.01mA |
| - |
| - |
| <1.5V |
| 2KHZ |
| 0.1ms/0.1ms |
| <1.0%(Sr) |
| IP67 |
| -25°C - +70°C |
| <10%(Sr) |
| YES |
| 220mA |
| <10ms |
| RFI>3V/m / EFT>1KV / ESD>4KV (contact) |
| IEC 60947-5-2,Part 7.4.1 / IEC 60947-5-2,Part 7.4.2 |
| POM |

| | | | |
|--------------------------------|----|--------------------------------|----|
| <u>FCU1-050.8N-A3U0.2T/SN5</u> | 25 | <u>FCU1-050.8N-A3U0.2T/SN8</u> | 29 |
| <u>FCU1-050.8N-B3U0.2T/SN5</u> | 26 | <u>FCU1-050.8N-B3U0.2T/SN8</u> | 30 |
| <u>FCU1-050.8P-A3U0.2T/SN5</u> | 27 | <u>FCU1-050.8P-A3U0.2T/SN8</u> | 31 |
| <u>FCU1-050.8P-B3U0.2T/SN5</u> | 28 | <u>FCU1-050.8P-B3U0.2T/SN8</u> | 32 |
| FCU1-050.8NUT/SN5 | 21 | FCU1-050.8NUT/SN8 | 21 |
| <u>ICU1-050.8N-A3U0.2T/SN5</u> | 25 | <u>ICU1-050.8N-A3U0.2T/SN8</u> | 29 |
| <u>ICU1-050.8N-B3U0.2T/SN5</u> | 26 | <u>ICU1-050.8N-B3U0.2T/SN8</u> | 30 |
| <u>ICU1-050.8P-A3U0.2T/SN5</u> | 27 | <u>ICU1-050.8P-A3U0.2T/SN8</u> | 31 |
| <u>ICU1-050.8P-B3U0.2T/SN5</u> | 28 | <u>ICU1-050.8P-B3U0.2T/SN8</u> | 32 |

| | |
|------------|--------------------|
| FCU***/SN5 | └─ φ5 Pigtail mode |
| FCU***/SN8 | └─ φ8 Pigtail mode |

| | |
|-------------|-------------|
| 2.7φ3x0.15 | |
| Approx.25 g | Approx.26 g |

| |
|------------------------|
| M5 |
| ● |
| 0.8 mm |
| stainless steel |
| ● |



| |
|---|
| 10-30VDC or 5-36VDC |
| <10% |
| <10mA |
| 200mA |
| <0.01mA |
| - |
| - |
| <1.5V |
| 2KHZ |
| 0.1ms/0.1ms |
| <1.0%(Sr) |
| IP67 |
| -25°C - +70°C |
| <10%(Sr) |
| YES |
| 220mA |
| <10ms |
| RFI>3V/m / EFT>1KV / ESD>4KV (contact) |
| IEC 60947-5-2,Part 7.4.1 / IEC 60947-5-2,Part 7.4.2 |
| POM |

| | |
|--------------------------|----|
| <u>FCU1-050.8N-ACU3T</u> | 29 |
| <u>FCU1-050.8N-BCU3T</u> | 29 |
| <u>FCU1-050.8P-ACU3T</u> | 30 |
| <u>FCU1-050.8P-BCU3T</u> | 30 |
| <u>ICU1-050.8N-ACU3T</u> | 29 |
| <u>ICU1-050.8N-BCU3T</u> | 29 |
| <u>ICU1-050.8P-ACU3T</u> | 30 |
| <u>ICU1-050.8P-BCU3T</u> | 30 |

| | |
|-----------|--------------------|
| FCU***/P5 | └─ M5 Pigtail mode |
| FCU***/P8 | └─ M8 Pigtail mode |

| |
|-------------|
| 2.7φ3x0.15 |
| Approx.25 g |

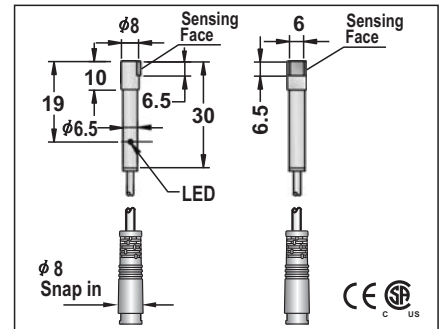
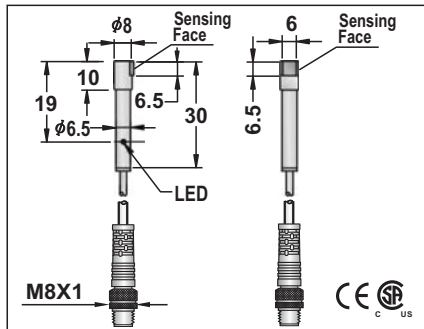
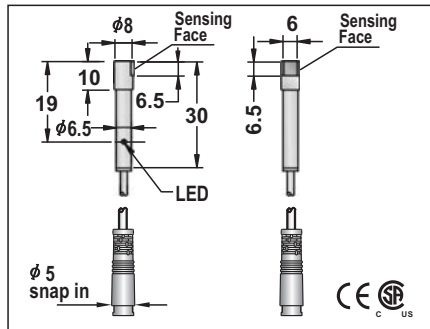
Note:
Coming Soon : Part numbers with underline

SIDE SENSING DC INDUCTIVE PROXIMITY SWITCH

| φ 6.5 | |
|-----------------|-------|
| ● | ● |
| 1.0mm | 1.5mm |
| stainless steel | |
| ● | |

| φ 6.5 | |
|-----------------|-------|
| ● | ● |
| 1.0mm | 1.5mm |
| stainless steel | |
| ● | |

| φ 6.5 | |
|-----------------|-------|
| ● | ● |
| 1.0mm | 1.5mm |
| stainless steel | |
| ● | |



| 10-30VDC or 5-36VDC | |
|---|--|
| <10% | |
| <10mA | |
| 200mA | |
| <0.01mA | |
| - | |
| - | |
| <1.5V(10-30V) or <1.0V(5-36V) | |
| 2KHZ | |
| 0.1ms/0.1ms | |
| <15%(Sr) | |
| <1.0%(Sr) | |
| IP67 | |
| -25°C - +70°C | |
| <10%(Sr) | |
| YES | |
| 220mA | |
| <10ms | |
| RFI>3V/m / EFT>1KV / ESD>4KV (contact) | |
| IEC 60947-5-2,Part 7.4.1 / IEC 60947-5-2,Part 7.4.2 | |
| POM | |

| 10-30VDC or 5-36VDC | |
|---|--|
| <10% | |
| <10mA | |
| 200mA | |
| <0.01mA | |
| - | |
| - | |
| <1.5V(10-30V) or <1.0V(5-36V) | |
| 2KHZ | |
| 0.1ms/0.1ms | |
| <15%(Sr) | |
| <1.0%(Sr) | |
| IP67 | |
| -25°C - +70°C | |
| <10%(Sr) | |
| YES | |
| 220mA | |
| <10ms | |
| RFI>3V/m / EFT>1KV / ESD>4KV (contact) | |
| IEC 60947-5-2,Part 7.4.1 / IEC 60947-5-2,Part 7.4.2 | |
| POM | |

| 10-30VDC or 5-36VDC | |
|---|--|
| <10% | |
| <10mA | |
| 200mA | |
| <0.01mA | |
| - | |
| - | |
| <1.5V(10-30V) or <1.0V(5-36V) | |
| 2KHZ | |
| 0.1ms/0.1ms | |
| <15%(Sr) | |
| <1.0%(Sr) | |
| IP67 | |
| -25°C - +70°C | |
| <10%(Sr) | |
| YES | |
| 220mA | |
| <10ms | |
| RFI>3V/m / EFT>1KV / ESD>4KV (contact) | |
| IEC 60947-5-2,Part 7.4.1 / IEC 60947-5-2,Part 7.4.2 | |
| POM | |

| | | |
|-------------------------|----|--------------------------|
| FCU1-D0601N-A3U0.2T/SN5 | 25 | |
| FCU1-D0601N-B3U0.2T/SN5 | 26 | |
| FCU1-D0601P-A3U0.2T/SN5 | 27 | |
| FCU1-D0601P-B3U0.2T/SN5 | 28 | |
| | | |
| | | |
| | | |
| | | |
| | | |
| | | |
| | | |
| | | |
| | | |
| | | |
| | | |
| | | |
| | | |
| | | |
| | 25 | ICU1-D061.5N-A3U0.2T/SN5 |
| | 26 | ICU1-D061.5N-B3U0.2T/SN5 |
| | 27 | ICU1-D061.5P-A3U0.2T/SN5 |
| | 28 | ICU1-D061.5P-B3U0.2T/SN5 |

| | | |
|------------------------|----|-------------------------|
| FCU1-D0601N-A3U0.2T/P8 | 29 | |
| FCU1-D0601N-B3U0.2T/P8 | 30 | |
| FCU1-D0601P-A3U0.2T/P8 | 31 | |
| FCU1-D0601P-B3U0.2T/P8 | 32 | |
| | | |
| | | |
| | | |
| | | |
| | | |
| | | |
| | | |
| | | |
| | | |
| | | |
| | | |
| | | |
| | | |
| | | |
| | | |
| | | |
| | 29 | ICU1-D061.5N-A3U0.2T/P8 |
| | 30 | ICU1-D061.5N-B3U0.2T/P8 |
| | 31 | ICU1-D061.5P-A3U0.2T/P8 |
| | 32 | ICU1-D061.5P-B3U0.2T/P8 |

| | | |
|-------------------------|----|--------------------------|
| FCU1-D0601N-A3U0.2T/SN8 | 29 | |
| FCU1-D0601N-B3U0.2T/SN8 | 30 | |
| FCU1-D0601P-A3U0.2T/SN8 | 31 | |
| FCU1-D0601P-B3U0.2T/SN8 | 32 | |
| | | |
| | | |
| | | |
| | | |
| | | |
| | | |
| | | |
| | | |
| | | |
| | | |
| | | |
| | | |
| | | |
| | | |
| | | |
| | | |
| | | |
| | | |
| | 29 | ICU1-D061.5N-A3U0.2T/SN8 |
| | 30 | ICU1-D061.5N-B3U0.2T/SN8 |
| | 31 | ICU1-D061.5P-A3U0.2T/SN8 |
| | 32 | ICU1-D061.5P-B3U0.2T/SN8 |

5-36V: ICU*-***** type switching
distance Sn=1.5mm.

5-36V: ICU*-***** type switching
distance Sn=1.5mm.

5-36V: ICU*-***** type switching
distance Sn=1.5mm.

| 3 φ 3x0.15 | |
|-------------|-------------|
| Approx.38 g | Approx.39 g |

| 3 φ 3x0.15 | |
|-------------|-------------|
| Approx.38 g | Approx.39 g |

| 3 φ 3x0.15 | |
|-------------|-------------|
| Approx.38 g | Approx.39 g |

