

PART E-01 ~ E-13

Diameter	
● Shielded ○ non-Shielded	
Switching Distance Sn mm	
Housing Material	
● With LED ○ Without LED	
Dimensions (unit: mm)	
Operating Voltage	
Ripple	
No Load Current	
Max. Load Current	
Leakge Current	
Surge Current	
Min. Load Current	
Voltage Drop	
Switching Frequency	
Response Time	
Switching Hysteresis	
Repeat Accuracy	
Protection Category	
Operating Temperature	
Temperature Drift	
Short Circuit Protection	
Overload Trip Point	
Time Delay Before Availability	
EMC	
Shock / Vibration	
Material Active Face	
DC 3 wire 10-30V NPN N.O.	
DC 3 wire 10-30V NPN N.C.	
DC 3 wire 10-30V PNP N.O.	
DC 3 wire 10-30V PNP N.C.	
DC 4 wire 10-30V Changeover PNP (N.O. & N.C.)	
DC 4 wire 10-30V Changeover NPN (N.O. & N.C.)	
DC 2 wire 10-60V N.O.	
DC 2 wire 10-60V N.C.	
DC 3 wire 10-55v NPN N.O. or NAMUR	
DC 3 wire 10-55v NPN N.C.	
DC 3 wire 10-55v PNP N.O.	
DC 3 wire 10-55v PNP N.C.	
AC 2 wire 20-250V N.O.	
AC 2 wire 20-250V N.C.	
AC 2 wire 20-250V N.O. or N.C. Changeable	
AC/DC 2 wire 20-250V N.O.	
AC/DC 2 wire 20-250V N.C.	
AC/DC 2 wire 20-250V N.O. or N.C. Changeable	
Remark	
Cable 2M (PVC)	
Weight	

AC/DC INDUCTIVE PROXIMITY SWITCH

M 12	
●	○
2 mm	4 mm
stainless steel or nickel plated brass	
●	
20-250 VAC, 50-60 Hz; 20-250 VDC	
DC RIPPLE <10%	
<2.5mA	
100mA	
<2.5mA	
2.2A for 20ms	
5mA	
<=10 VAC ; <=8 VDC	
25HZ AC; 40 Hz DC	
10ms/10ms	
<15%(Sr)	
<1.0% (Sr)	
IP67	
-25 °C - +70 °C	
<10% (Sr)	
YES (DC 20~30V only)	
-	
-	
RFI>3V/m / EFT>1KV / ESD>4KV (contact)	
IEC 60947-5-2,Part 7.4.1 / IEC 60947-5-2,Part 7.4.2	
PBT	
FCM1-1202U-A3L2 11 FCM2-1204U-A3L2	
FCM1-1202U-B3L2 12 FCM2-1204U-B3L2	
4φ3x0.34	
Approx.77 g	Approx.76 g

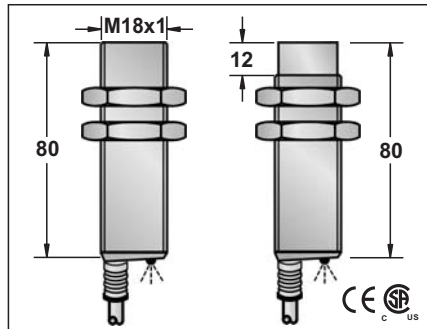
M 12	
●	○
2 mm	4 mm
stainless steel or nickel plated brass	
●	
20-250 VAC, 50-60 Hz; 20-250 VDC	
DC RIPPLE <10%	
<2.5mA	
100mA	
<2.5mA	
2.2A for 20ms	
5mA	
<=10 VAC ; <=8 VDC	
25HZ AC; 40 Hz DC	
10ms/10ms	
<15%(Sr)	
<1.0% (Sr)	
IP67	
-25 °C - +70 °C	
<10% (Sr)	
YES (DC 20~30V only)	
-	
-	
RFI>3V/m / EFT>1KV / ESD>4KV (contact)	
IEC 60947-5-2,Part 7.4.1 / IEC 60947-5-2,Part 7.4.2	
PBT	
FCM1-1202U-A3L2Y 11 FCM2-1204U-A3L2Y	
FCM1-1202U-B3L2Y 12 FCM2-1204U-B3L2Y	
4φ3x0.34	
Approx.77 g	Approx.76 g

M 12	
●	○
2 mm	4 mm
stainless steel or nickel plated brass	
●	
20-250 VAC, 50-60 Hz; 20-250 VDC	
DC RIPPLE <10%	
<2.5mA	
100mA	
<2.5mA	
2.2A for 20ms	
5mA	
<=10 VAC ; <=8 VDC	
25HZ AC; 40 Hz DC	
10ms/10ms	
<15%(Sr)	
<1.0% (Sr)	
IP67	
-25 °C - +70 °C	
<10% (Sr)	
YES (DC 20~30V only)	
-	
-	
RFI>3V/m / EFT>1KV / ESD>4KV (contact)	
IEC 60947-5-2,Part 7.4.1 / IEC 60947-5-2,Part 7.4.2	
PBT	
FCM1-1202U-A3L2Z 11 FCM2-1204U-A3L2Z	
FCM1-1202U-B3L2Z 12 FCM2-1204U-B3L2Z	
4φ3x0.34	
Approx.77 g	Approx.76 g

AC/DC INDUCTIVE PROXIMITY SWITCH

AC/DC INDUCTIVE PROXIMITY SWITCH

M 18	
●	○
5 mm	8 mm
stainless steel or nickel plated brass	
●	

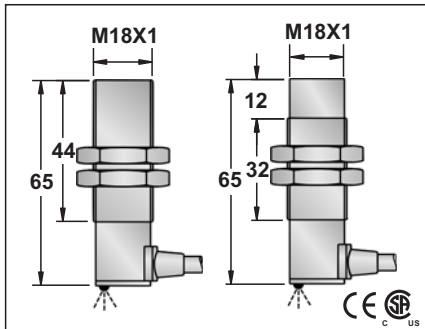


20-250 VAC, 50-60 Hz; 20-250 VDC	
DC RIPPLE <10%	
<2.5mA	
200mA	
<2.5mA	
2.2A for 20ms	
5mA	
<=10 VAC ; <=8 VDC	
25HZ AC; 40 Hz DC	
10ms/10ms	
<15%(Sr)	
<1.0% (Sr)	
IP67	
-25 °C - +70 °C	
<10% (Sr)	
YES	
-	
-	
RFI>3V/m / EFT>1KV / ESD>4KV (contact)	
IEC 60947-5-2,Part 7.4.1 / IEC 60947-5-2,Part 7.4.2	
PBT	

FCM1-1805U-A3L2	11	FCM2-1808U-A3L2
FCM1-1805U-B3L2	12	FCM2-1808U-B3L2

5.0 φ44x0.1	
Approx.161 g	Approx.160 g

M 18	
●	○
5 mm	8 mm
stainless steel or nickel plated brass	
●	

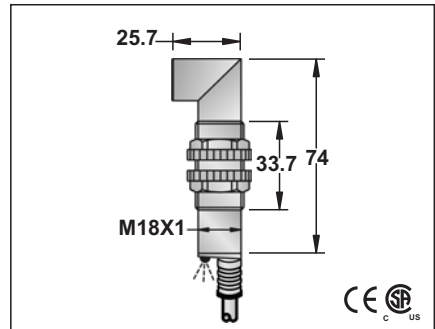


20-250 VAC, 50-60 Hz; 20-250 VDC	
DC RIPPLE <10%	
<2.5mA	
200mA	
<2.5mA	
2.2A for 20ms	
5mA	
<=10 VAC ; <=8 VDC	
25HZ AC; 40 Hz DC	
10ms/10ms	
<15%(Sr)	
<1.0% (Sr)	
IP67	
-25 °C - +70 °C	
<10% (Sr)	
YES	
-	
-	
RFI>3V/m / EFT>1KV / ESD>4KV (contact)	
IEC 60947-5-2,Part 7.4.1 / IEC 60947-5-2,Part 7.4.2	
PBT	

FCM1-1805U-A3L2Y	11	FCM2-1808U-A3L2Y
FCM1-1805U-B3L2Y	12	FCM2-1808U-B3L2Y

5.0 φ44x0.1	
Approx.161 g	Approx.160 g

M 18	
●	○
5 mm	8 mm
stainless steel or nickel plated brass	
●	



20-250 VAC, 50-60 Hz; 20-250 VDC	
DC RIPPLE <10%	
<2.5mA	
200mA	
<2.5mA	
2.2A for 20ms	
5mA	
<=10 VAC ; <=8 VDC	
25HZ AC; 40 Hz DC	
10ms/10ms	
<15%(Sr)	
<1.0% (Sr)	
IP67	
-25 °C - +70 °C	
<10% (Sr)	
YES	
-	
-	
RFI>3V/m / EFT>1KV / ESD>4KV (contact)	
IEC 60947-5-2,Part 7.4.1 / IEC 60947-5-2,Part 7.4.2	
PBT	

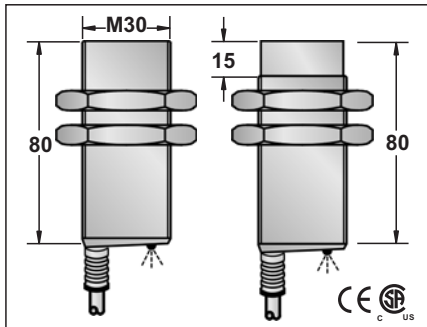
FCM1-1805U-A3L2Z	11	FCM2-1808U-A3L2Z
FCM1-1805U-B3L2Z	12	FCM2-1808U-B3L2Z

5.0 φ44x0.1	
Approx.161 g	Approx.160 g

AC/DC INDUCTIVE PROXIMITY SWITCH

M 30

●	○
10 mm	15 mm
stainless steel or nickel plated brass	



20-250 VAC, 50-60 Hz; 20-250 VDC
DC RIPPLE <10%
<2.5mA
200mA
<2.5mA
2.2A for 20ms
5mA
<=10 VAC : <=8 VDC
25HZ AC; 40 Hz DC
10ms/10ms
<15% (Sr)
<1.0% (Sr)
IP67
-25°C - +70°C
<10% (Sr)
YES
-
-
RFI>3V/m / EFT>1KV / ESD>4KV (contact)
IEC 60947-5-2,Part 7.4.1 / IEC 60947-5-2,Part 7.4.2
PBT

FCM1-3010U-A3L2	11	FCM2-3015U-A3L2
FCM1-3010U-B3L2	12	FCM2-3015U-B3L2

5.8φ 3x0.5(6.8φ 5x0.5)
Approx.247 g
Approx.237 g