

**PART H-01 ~ H-05**

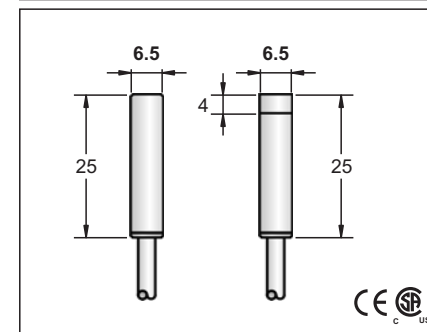
<b>Diameter</b>
● Shielded    ○ non-Shielded
<b>Switching Distance Sn mm</b>
<b>Housing Material</b>
● With LED    ○ Without LED

<b>Dimensions (unit: mm)</b>
------------------------------

Operating Voltage
Ripple
No Load Current
Max. Load Current
Leakge Current
Surge Current
Min. Load Current
Voltage Drop
Switching Frequency
Response Time
Switching Hysteresis
Repeat Accuracy
Protection Category
Operating Temperature
Temperature Drift
Short Circuit Protection
Overload Trip Point
Time Delay Before Availability
<b>EMC</b>
Shock / Vibration
<b>Material Active Face</b>
DC 3 wire 10-30V NPN N.O.
DC 3 wire 10-30V NPN N.C.
DC 3 wire 10-30V PNP N.O.
DC 3 wire 10-30V PNP N.C.
DC 4 wire 10-30V Changeover PNP (N.O. & N.C.)
DC 4 wire 10-30V Changeover NPN (N.O. & N.C.)
DC 2 wire 10-60V N.O.
DC 2 wire 10-60V N.C.
DC 3 wire 10-55v NPN N.O. or NAMUR
DC 3 wire 10-55v NPN N.C.
DC 3 wire 10-55v PNP N.C.
DC 3 wire 5-36v NPN N.O.
DC 3 wire 5-36v NPN N.C.
DC 3 wire 5-36v PNP N.O.
DC 3 wire 5-36v PNP N.C.
AC/DC 4 wire 5-36v Changeover PNP (N.O. & N.C.)
AC/DC 4 wire 5-36v Changeover NPN (N.O. & N.C.)
<b>Remark</b>
<b>Cable 2M (PVC)</b>
<b>Weight</b>

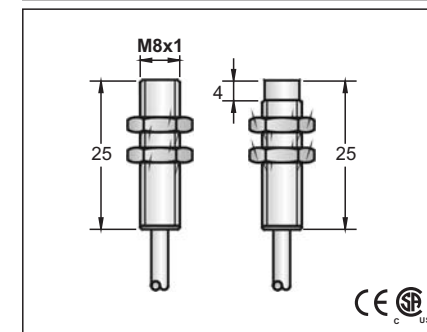
**NAMUR INDUCTIVE PROXIMITY SWITCH**

φ6.5	
●	○
1 mm	2 mm
stainless steel or nickel plated brass	
○	



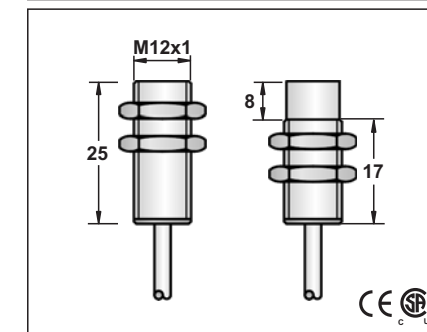
6-12VDC		
-		
<1.1mA(OFF)	>2.2mA(ON)	
-		
-		
-		
-		
-		
0.5KHZ		
0.2ms/0.2ms		
<15%(Sr)		
-		
IP67		
-25 °C - +70 °C		
<2%(Sr)		
-		
-		
<10ms		
RFI>3V/m / EFT>1KV / ESD>4KV (contact)		
IEC 60947-5-2,Part 7.4.1 / IEC 60947-5-2,Part 7.4.2		
POM		
FCU1-D0601NU    21    FCU2-D0602NU		
3 φ2x0.15		
Approx.26 g		

M 8	
●	○
1 mm	2 mm
stainless steel or nickel plated brass	
○	



6-12VDC		
-		
<1.1mA(OFF)	>2.2mA(ON)	
-		
-		
-		
-		
-		
2KHZ    1KHZ		
0.05ms/0.05ms	0.1ms/0.1ms	
<15%(Sr)		
-		
IP67		
-25 °C - +70 °C		
<2%(Sr)		
-		
-		
<10ms		
RFI>3V/m / EFT>1KV / ESD>4KV (contact)		
IEC 60947-5-2,Part 7.4.1 / IEC 60947-5-2,Part 7.4.2		
POM		
FCM1-0801NU    21    FCM2-0802NU		
3 φ2x0.15		
Approx.34 g		

M 12	
●	○
2 mm	4 mm
stainless steel or nickel plated brass	
○	



6-12VDC		
-		
>2.2mA(OFF)	<1.1mA(ON)	
-		
-		
-		
-		
-		
1KHZ    0.5KHZ		
0.1ms/0.1ms	0.2ms/0.2ms	
<15%(Sr)		
-		
IP67		
-25 °C - +70 °C		
<2%(Sr)		
-		
-		
<10ms		
RFI>3V/m / EFT>1KV / ESD>4KV (contact)		
IEC 60947-5-2,Part 7.4.1 / IEC 60947-5-2,Part 7.4.2		
POM    PBT		
FCM1-1202NU    21    FCM2-1204NU		
4 φ2x0.15		
Approx.42 g		Approx.41 g

