

M12、M18、M30

PART J-01 ~ J-07

Diameter
● Shielded ○ non-Shielded
Switching Distance Sn mm
Housing Material
● With LED ○ Without LED

Dimensions (unit: mm)

Operating Voltage	6-12VDC
Ripple	-
No Load Current	>2.2mA(OFF) <1.1mA(ON)
Max. Load Current	-
Leakge Current	-
Surge Current	-
Min. Load Current	-
Voltage Drop	-
Switching Frequency	2KHz 1KHz
Response Time	0.05ms/0.05ms 0.1ms/0.1ms
Switching Hysteresis	<15%
Repeat Accuracy	<1.0%(Sr)
Protection Category	IP67
Operating Temperature	-25°C - +100°C
Temperature Drift	<10%(Sr)
Short Circuit Protection	-
Overload Trip Point	-
Time Delay Before Availability	-
EMC	RFI>3V/m / EFT>1KV / ESD>4KV (contact)
Shock / Vibration	IEC 60947-5-2, Part 7.4.1 / IEC 60947-5-2, Part 7.4.2
Material Active Face	POM PBT
DC 3 wire 10-30V NPN N.O.	
DC 3 wire 10-30V NPN N.C.	
DC 3 wire 10-30V PNP N.O.	
DC 3 wire 10-30V PNP N.C.	
DC 4 wire 10-30V Changeover PNP (N.O. & N.C.)	
DC 4 wire 10-30V Changeover NPN (N.O. & N.C.)	
DC 2 wire 10-60V N.O.	
DC 2 wire 10-60V N.C.	
DC 3 wire 10-55v NPN N.O. or NAMUR	<u>TCM1-1202NU</u> 8 <u>TCM2-1204NU</u>
DC 3 wire 10-55v NPN N.C.	
DC 3 wire 10-55v PNP N.O.	
DC 3 wire 10-55v PNP N.C.	
AC 2 wire 20-250V N.O.	
AC 2 wire 20-250V N.C.	
AC 2 wire 20-250V N.O. or N.C. Changeable	
AC/DC 2 wire 20-250V N.O.	
AC/DC 2 wire 20-250V N.C.	
AC/DC 2 wire 20-250V N.O. or N.C. Changeable	

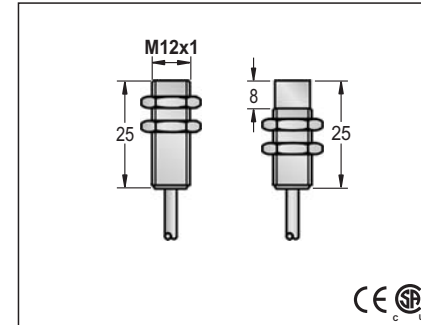
Remark

Cable 2M (PVC)

Weight

NAMUR HIGH TEMPERATURE INDUCTIVE PROXIMITY SWITCH

M 12	
●	○
2 mm	4 mm
stainless steel or nickel plated brass	
○	



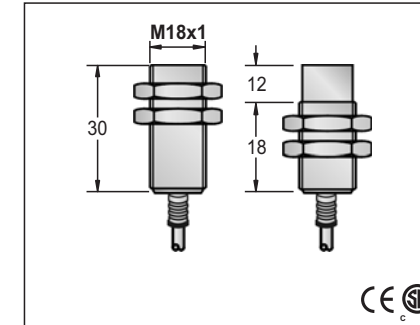
Operating Voltage	6-12VDC
Ripple	-
No Load Current	>2.2mA(OFF) <1.1mA(ON)
Max. Load Current	-
Leakge Current	-
Surge Current	-
Min. Load Current	-
Voltage Drop	-
Switching Frequency	2KHz 1KHz
Response Time	0.05ms/0.05ms 0.1ms/0.1ms
Switching Hysteresis	<15%
Repeat Accuracy	<1.0%(Sr)
Protection Category	IP67
Operating Temperature	-25°C - +100°C
Temperature Drift	<10%(Sr)
Short Circuit Protection	-
Overload Trip Point	-
Time Delay Before Availability	-
EMC	RFI>3V/m / EFT>1KV / ESD>4KV (contact)
Shock / Vibration	IEC 60947-5-2, Part 7.4.1 / IEC 60947-5-2, Part 7.4.2
Material Active Face	POM PBT

TCM1-1202NU | 8 | TCM2-1204NU

PVC105 4 φ 2x0.34

approx.42g | approx.41g

M 18	
●	○
5 mm	8 mm
stainless steel or nickel plated brass	
○	



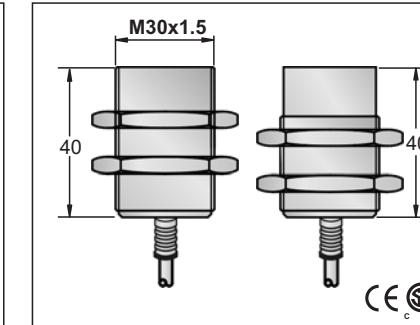
Operating Voltage	6-12VDC
Ripple	-
No Load Current	>2.2mA(OFF) <1.1mA(ON)
Max. Load Current	-
Leakge Current	-
Surge Current	-
Min. Load Current	-
Voltage Drop	-
Switching Frequency	1KHz 0.5KHz
Response Time	0.1ms/0.1ms 0.2ms/0.2ms
Switching Hysteresis	<15%
Repeat Accuracy	<1.0%(Sr)
Protection Category	IP67
Operating Temperature	-25°C - +100°C
Temperature Drift	<10%(Sr)
Short Circuit Protection	-
Overload Trip Point	-
Time Delay Before Availability	-
EMC	RFI>3V/m / EFT>1KV / ESD>4KV (contact)
Shock / Vibration	IEC 60947-5-2, Part 7.4.1 / IEC 60947-5-2, Part 7.4.2
Material Active Face	PBT

TCM1-1805NU | 8 | TCM2-1808NU

PVC105 5.0 φ 44x0.1

approx.126g

M 30	
●	○
10 mm	15 mm
stainless steel or nickel plated brass	
○	



Operating Voltage	6-12VDC
Ripple	-
No Load Current	>2.2mA(OFF) <1.1mA(ON)
Max. Load Current	-
Leakge Current	-
Surge Current	-
Min. Load Current	-
Voltage Drop	-
Switching Frequency	1KHz 0.5KHz
Response Time	0.1ms/0.1ms 0.2ms/0.2ms
Switching Hysteresis	<15%
Repeat Accuracy	<1.0%(Sr)
Protection Category	IP67
Operating Temperature	-25°C - +100°C
Temperature Drift	<10%(Sr)
Short Circuit Protection	-
Overload Trip Point	-
Time Delay Before Availability	-
EMC	RFI>3V/m / EFT>1KV / ESD>4KV (contact)
Shock / Vibration	IEC 60947-5-2, Part 7.4.1 / IEC 60947-5-2, Part 7.4.2
Material Active Face	PBT

TCM1-3010NU | 8 | TCM2-3015NU

PVC105 5.8 φ 2x0.5

approx.185g | approx.167g

Note:
Coming Soon : Part numbers with underline