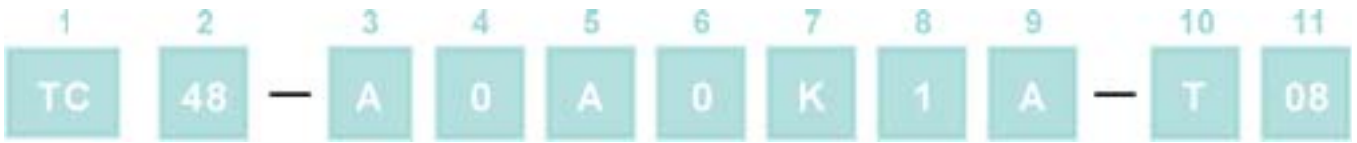


Selection Guide For Type Number



1. TYPE:

TC temperature controller

2. DIMENSIONS:

48 48x48mm 49 48x96mm 72 72x72mm 96 96x96mm
 94 96x48mm

3. INDICATING:

A Non-indicating B Deviation indicating with pointer
 C Full indicating with pointer D Single indicating with digit
 E Full indicating with digital temperature value/setting value

4. SETTING:

0 Non-setting
 1 Single setting with pointer
 2 Single setting with digit
 3 Main setting with pointer, optional hi or low limit with pointer
 4 Main setting with digit, individual hi & low limit with pointer
 5 Main setting with digit, optional hi or low with pointer
 6 Dual setting, set-1 & set-2 with digit

5. OPERATING ACTION & SUB-CONTROL:

A Non-control
 B ON-OFF action without sub-control
 C P+D action without SUB-control
 D Main control: ON-OFF action
 SUB-control: ON-OFF action
 E Main control: PID adjustable outside, SUB-Control: ON-OFF action
 F PID adjustable outside without SUB-Control
 G Main Control: P+D action SUB-Control: ON-OFF action

6. OUTPUT:

0 Non-output
 1 Relay output without SUB-Control
 2 SSR drive DC 24V without SUB-Control
 3 4-20mA (DC) without SUB-Control
 4 0-10mA (DC) without SUB-Control
 5 Main control: relay, SUB-Control: Relay
 6 Main control: 4-20mA, SUB-Control: Relay
 7 Main control: SSR drive SUB-Control: Relay

7. INPUT:

K K(CA), Temperature range: -200 ~1300 (-25 ~500)
 J J(IC), Temperature range: -100 ~850 (-20 ~400)
 T T(CC), Temperature range: -200 ~400
 E E(CRC), Temperature range: 0 ~600
 L L, Temperature range: -100 ~850
 U U, Temperature range: -200 ~400
 N N, Temperature range: -200 ~1300
 R Pr13%, Temperature range: 0 ~1700
 S Pr10%, Temperature range: 0 ~1700
 P P(PT100), Temperature range: 0 ~1300
 B B, Temperature range: 100 ~1800
 W W, Temperature range: 0 ~2300

8. ALARM FUNCTION:

0 Non-alarm
 1 Heater broken alarm
 2 Upper limited alarm
 3 Lower limited alarm
 4 Drifting value alarm
 5 Absolute value alarm

9. POWER SUPPLY :

A 220VAC	B 110VAC	C 110V/220VAC
D 100V ~ 240VAC	E 85~265VAC	F 12V ~ 35VAC/DC

10. TERMINAL :

T Plug	P Connector
--------	-------------

11. OUT PINS :

08=8PIN	16=16PIN
---------	----------

TC49 series(48x96mm)



TC49-B2

TC49-D2

FEATURES

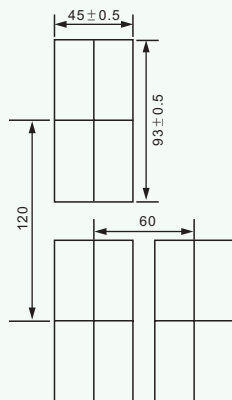
- With thermocouple-break indication
- ON/OFF or Proportional control selectable
- Five alarm output modes selectable(Option)
- Draw out panel

SPECIFICATION

Input Type	Thermocouple K, J, Pt100
Setting accuracy	±0.5%(max.)of full scale
Indication accuracy	±0.5%(max.)of full scale
Control mode	ON/OFF action Proportional action
Proportional band	3% of full scale (fixed)
Proportional cycle	Relay output -20 secretary. Voltage output - 2 secretary.
Reset range	3% (max.) of full scale
Ambient temperature	-10~+55 °C
Control	Relay contact (resistive load) 1C 250VAC, 10Amp. (Max.)
	Voltage output: 12VDC, 20mA(max.) HI-level: 12VDC LO-level: 0.5VDC(max.)
Power consumption	2W

Temperature Controller

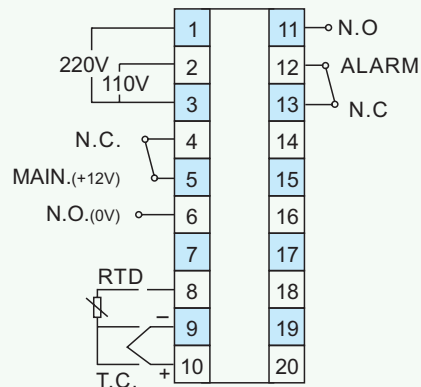
PANEL CUTOUT (Unit: mm)



TC49 series

Temperature Controller

CONNECTIONS



TC49 series