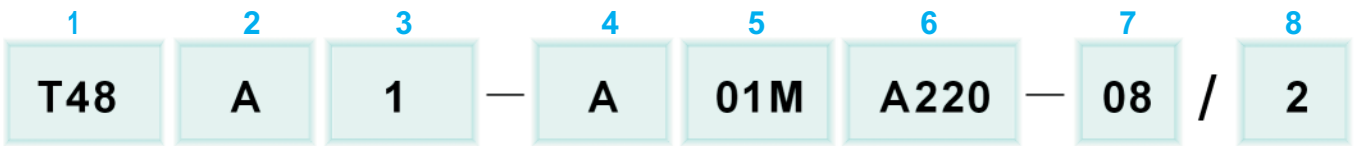


# Multi-range Analog Timers

## ■ Selection Guide For Type Number



### 1. Dimensions:

T29 29(W)x36(H)x82(L)



T36=36(W)x36(H)x88(L)



T40 =40(W)x49(H)x88(L)



T48 =48(W)x48(H)x94(L)



T49 =49(W)x61(H)x70(L)



T49 =49(W)x61(H)x70(L)



T58 =58(W)x88(H)x68(L)



T58 =58(W)x88(H)x68(L)



# Multi-range Analog Timers

## 2. Display status :

A= Analog

B=Digital signals

## 3. Mounting & Socket :

1=Surface(-N)

2=Flush(-Y)

## 4. Output Mode:

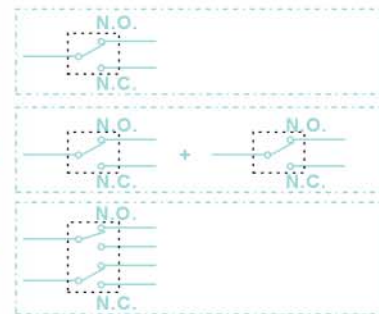
A = Delay SPDT



B = Delay SPDT+ Instantaneous SPDT



C = Delay DPDT



## 5. Time Range

01S = 0.1S - 1S

30S = 0.5S - 30S

30M = 3M - 30M

03S = 0.1S - 3S

60S = 1S - 60S

01H = 0.1H - 1H

06S = 0.1S - 6S

03M = 3S - 3M

03H = 0.3H - 3H

10S = 0.2S - 10S

06M = 6S - 6M

10H = 1H - 10H

10M = 10S - 10M

30H = 3H - 30H

## 6. Power Supply:

A380=AC 380V

A220=AC 220V

AD24=AC 24V or DC 24

A110=AC 110V

D012=DC 12V

## 7. Terminal :

08 = 8 Pins

11 = 11 Pins

## 8. Special specification:

2=Two-range Analog Timers

# T40A Multi-range Analog Timers



## Features:

**The Advance Controls` 40 Series On Delay Timers** offer two (2) different time spans, a choice of four (4) different timing ranges within each time span a wide range of operating voltages.

**Multi Range :** By simply setting the time span switch and multiplier switch located on the timer faceplate to the proper position, the timer's range is automatically set. The faceplate dial automatically changes to indicate the timer's time range. Thus, the correct time range is always shown on the faceplate eliminating any confusion concerning the timer's timing range.

**Wide Range Of Input Voltages:** A wide range of input voltages are allowed (24 VAC/DC through 240 VAC/DC.50/60Hz) without wiring changes or dip switch settings.

**Timing** begins once power is applied to the timer coil. When the time delay setting is reached, the relay contacts transfer and remain transferred until the timer is reset. The timer is reset by removing power to the coil.

**Note:** Not for direct motor starting.

## Product Types for T40A

Type	Time Range	Operating Voltage	Part Number		
			Delay SPDT	Delay SPDT+ Instantaneous SPDT	Delay DPDT
T40A	0.05S to 1S	24V to240V AC/DC	T40A1-A10MA240-08	T40A1-B10MA240-08	T40A1-C10MA240-08
	0.12S to 10S				
	0.6S to 1M				
	6S to 10M				
	0.05M to 1M	24V to240V AC/DC	T40A1-A10HA240-08	T40A1-B10HA240-08	T40A1-C10HA240-08
	0.012 to 10M				
	0.6M to 1H				
	1 to 10H				

## Specifications

Input Voltage	24-240 VAC / VDC 50 / 60 Hz
Contact Rating	10A/250 VAC & 10A/30 VDC
Mounting	8 Pin Octal Base
Inputs	Power
Electrical Life	250,000 Cycles
Repeatability	+/-1%
Setting Tolerance	+/-10%
Reset Time	0.1 Secretary MAX.
Operating Temp	+15 +120 Deg. F. (-10 +50 Deg. C. )
Operating Humidity	85% Rh MAX.

## Time Range

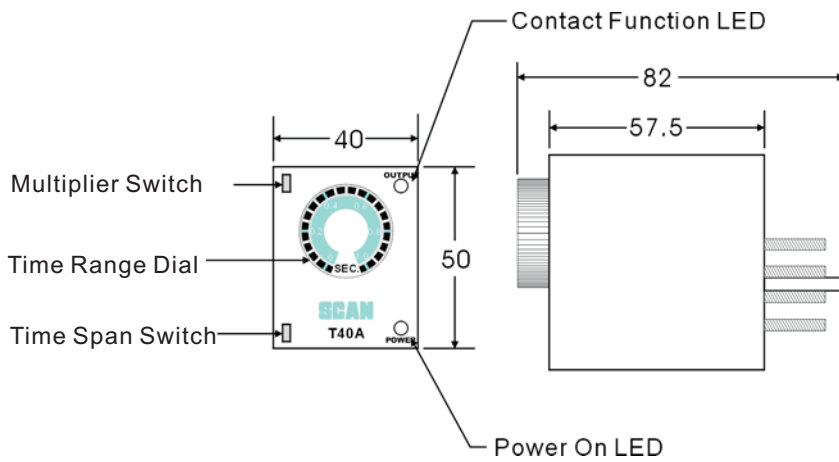
Code	Scale	Time Range
10M	X1S	0.05 sec to 1 sec
	X10S	0.12 sec to 10 sec
	X1M	0.6 sec to 1 min
	X10M	6 sec to 10 min
10H	X1S	0.05 min to 1 min
	X10S	0.12 min to 10 min
	X1M	0.6 min to 1 hrs
	X10M	1 min to 10 hrs

# T40A Multi-range Analog Timers

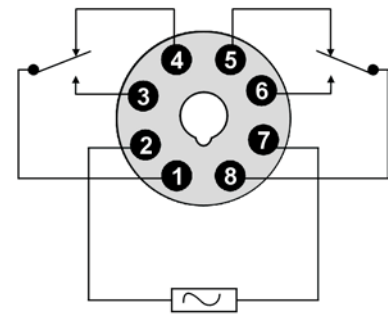
## Contact Data

Item \ Mode	1 Form C (SPDT)	2 Form C (DPDT)
Max. Switch Voltage	AC 240V, DC110V	AC 240V, DC110V
Max. Switch Current	10A	5A
Max. Switch Power	AC 1200VA, DC 300W	AC 1200VA, DC 150W
Contact Ratings	10A, 120VAC, Resistive	5A, 240VAC, Resistive
	10A, 28VDC, Resistive	5A, 30VDC, Resistive
	1/4 HP , 120VAC	1/8 HP , 250VAC
	3A, 120AC, Inductive (Cos $\phi$ =0.4)	1.5A, 240AC, Inductive (Cos $\phi$ =0.4)
	3A, 28DC, Inductive (L/R=7 msec)	1.5A, 24DC, Inductive (L/R=7 msec)
	100 Milliohms(1A, 6VDC)	100 Milliohms(1A, 6VDC)
Contact Resistance	100 Milliohms(1A, 6VDC)	100 Milliohms(1A, 6VDC)
Contact Material	AG Alloy	AG Alloy
Mechanical Life	10 Million Operations	10 Million Operations
Electrical Life	100,000 Operations	100,000 Operations

## Physical Layout



## Connection Diagram



## Dimensions(mm)

### T40A (scale: 1:1)

